

Driveline Vibration Between 15 - 25 MPH

Service Category Drivetrain

Section Drive Shaft/Propeller Shaft

Market USA

Toyota Supports
 ASE Certification 

Applicability

YEAR(S)	MODEL(S)	ADDITIONAL INFORMATION
2005 – 2013	Tacoma	Body Type(s): Double Cab, Access Cab Drive Type(s): 2WD, 4WD Engine(s): 1GR, 2TR Transmission(s): 5AT, 4AT VDS(s): JU4GN, JU62N, JX4CN, JX4GN, KU4HN, KU72N, LU42N, LU4EN, MU4FN, MU52N, TU22N, TU4GN, TU62N, TX22N, TX4CN, TX4GN, UU42N, UU4EN

SUPERSESSION NOTICE

The information contained in this bulletin supersedes SB No. T-SB-0132-08.

- Applicability has been updated to include 2009 – 2013 model year Tacoma vehicles.
- The entire bulletin has been updated.

Service Bulletin No. T-SB-0132-08 is Obsolete and any printed versions should be discarded. Be sure to review the entire content of this bulletin before proceeding.

Introduction

Some vehicles may exhibit a vibration felt in the seat, floorboard, and/or steering wheel around 15 – 25 mph caused by a second order driveline vibration. Use the following procedure to address this condition.

Driveline Vibration Between 15 - 25 MPH

Warranty Information

OP CODE	DESCRIPTION	TIME	OFF	T1	T2
EG8032	R & R Engine Mount	1.0	12371-0P040 12371-0P041 12371-0C140 12371-0P030 12371-0C170 12371-0C160	9B	57
SU1222	R & R Leaf Springs	1.4	48210-35A20 48210-35A40 48210-04551 48210-04561 48210-04550 48210-AD020 48210-04630 48210-04380 48210-04620 48210-04560 48210-04540 48210-04561		
ST1202	Install Steering Wheel Damper	0.6	45713-35050		

APPLICABLE WARRANTY

- **EG8032 (R & R Engine Mount):** This repair is covered under the Toyota Powertrain Warranty. This warranty is in effect for 60 months or 60,000 miles, whichever occurs first, from the vehicle's in-service date.
- **SU1222 (R & R Leaf Springs) and ST1202 (Install Steering Wheel Damper):** This repair is covered under the Toyota Basic Warranty. This warranty is in effect for 36 months or 36,000 miles, whichever occurs first, from the vehicle's in-service date.
- **Warranty application is limited to occurrence of the specified condition described in this bulletin.**

Driveline Vibration Between 15 - 25 MPH

Parts Information

DRIVETRAIN APPLICATION	PREVIOUS PART NUMBER	CURRENT PART NUMBER	PART NAME	QTY
2WD V6	12371-31240	Same	Insulator, Engine Mounting, RR	1
4WD V6	12371-31250	Same		1
2WD I4	12371-75170	Same		1
4 Leaf Spring	48210-35A80	Same	Spring Assy, RR RH	1
	48220-35060	Same	Spring Assy, RR LH	1
3 Leaf Spring	48210-35A90	Same	Spring Assy, RR RH	1
	48220-35070	Same	Spring Assy, RR LH	1
All	45713-35050	Same	Damper, Steering Shake	1
	90080-15079	Same	Screw, w/Washer	2

Repair Procedure

1. Test drive the vehicle and confirm if a vibration is felt between 15 – 25 mph while accelerating, decelerating, or while maintaining vehicle speed.

HINT

On 4WD trucks the following method can be used to confirm if this bulletin applies to the vehicle:

- Shift into 4WD High.
- Lock the center differential.
- Remove the rear driveshaft and test drive the vehicle.
- The vibration will be completely eliminated if condition is a 2nd order driveshaft vibration.

Does vibration occur between 15 – 25 mph?

- **YES** — This bulletin does apply. Go to step 2.
- **NO** — This bulletin does NOT apply. Continue diagnosis using the applicable Repair Manual as necessary.

Driveline Vibration Between 15 - 25 MPH

Repair Procedure (Continued)

2. Replace the Rear Engine Insulator (Rear Transmission Mount).

Refer to the Technical Information System (TIS), applicable model and model year Repair Manual:

- 2005 Tacoma:
Drivetrain – Automatic Transmission/Transaxle – “Automatic Transmission Assy (A340E) / (A750E): Replacement”
- 2006 – 2012 Tacoma:
Drivetrain – Automatic Transmission/Transaxle – “A340E / A750E Automatic Transmission: Automatic Transmission Assembly: Removal / Installation”
 - 2006 Tacoma (A340E): [Removal](#) / [Installation](#)
 - 2006 Tacoma (A750E): [Removal](#) / [Installation](#)
 - 2007 Tacoma (A340E): [Removal](#) / [Installation](#)
 - 2007 Tacoma (A750E): [Removal](#) / [Installation](#)
 - 2008 Tacoma (A340E): [Removal](#) / [Installation](#)
 - 2008 Tacoma (A750E): [Removal](#) / [Installation](#)
 - 2009 Tacoma (A340E): [Removal](#) / [Installation](#)
 - 2009 Tacoma (A750E): [Removal](#) / [Installation](#)
 - 2010 Tacoma (A340E): [Removal](#) / [Installation](#)
 - 2010 Tacoma (A750E): [Removal](#) / [Installation](#)
 - 2011 Tacoma (A340E): [Removal](#) / [Installation](#)
 - 2011 Tacoma (A750E): [Removal](#) / [Installation](#)
 - 2011 Tacoma (A750F): [Removal](#) / [Installation](#)
 - 2012 Tacoma (A340E): [Removal](#) / [Installation](#)
 - 2012 Tacoma (A750E): [Removal](#) / [Installation](#)
 - 2012 Tacoma (A750F): [Removal](#) / [Installation](#)
 - 2013 Tacoma (A340E): [Removal](#) / [Installation](#)
 - 2013 Tacoma (A750E): [Removal](#) / [Installation](#)
 - 2013 Tacoma (A750F): [Removal](#) / [Installation](#)

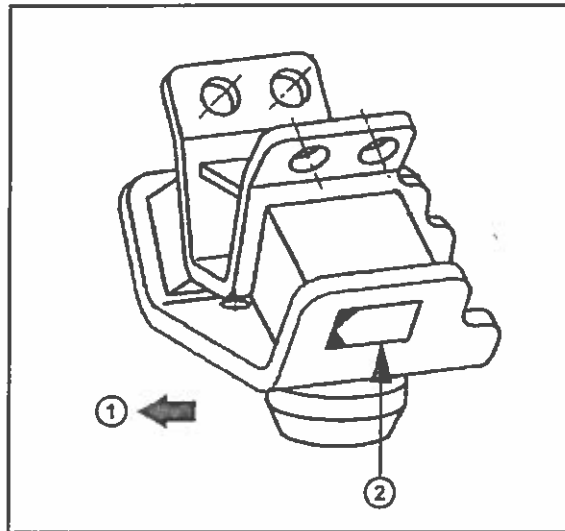
Driveline Vibration Between 15 - 25 MPH

Repair Procedure (Continued)

HINT

Refer to Figures 1 and 2 to confirm the proper part identification by examining the label on the part, and for the proper positioning of the new engine mount in ATM equipped trucks.

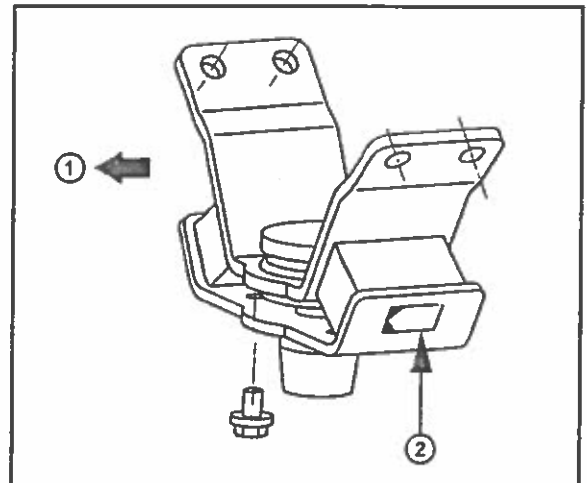
Figure 1. 2WD Rear Engine Insulator



1	Front of Vehicle
2	Label

ENGINE	I.D. ON LABEL	LABEL COLOR
2TR	RA	Purple
1GR	VA	Green

Figure 2. 4WD Rear Engine Insulator



1	Front of Vehicle
2	Label

ENGINE	I.D. ON LABEL	LABEL COLOR
1GR	VA	Green

- Test drive the vehicle after rear engine mount installation and confirm if a vibration is felt between 15 – 25 mph while accelerating, decelerating, or while maintaining vehicle speed.

Is a vibration still felt between 15 – 25 mph?

YES — Go to step 4.

NO — Repair is complete.

Driveline Vibration Between 15 - 25 MPH

Repair Procedure (Continued)

4. Replace the rear leaf springs.

Refer to TIS, applicable model and model year Repair Manual:

- 2005 Tacoma:
Suspension – Rear Suspension – “Rear LH Spring Assy: Overhaul”
- 2006 – 2012 Tacoma:
Suspension – Rear Suspension – “Suspension: Rear Leaf Spring: Removal / Installation”
 - 2006 Tacoma: Removal / Installation
 - 2007 Tacoma: Removal / Installation
 - 2008 Tacoma: Removal / Installation
 - 2009 Tacoma: Removal / Installation
 - 2010 Tacoma: Removal / Installation
 - 2011 Tacoma: Removal / Installation
 - 2012 Tacoma: Removal / Installation
 - 2013 Tacoma: Removal / Installation

5. Test drive the vehicle after rear leaf spring replacement and confirm if a vibration is felt between 15 – 25 mph while accelerating, decelerating, or while maintaining vehicle speed.

Is a vibration still felt between 15 – 25 mph?

- **YES** — Go to step 6.
- **NO** — Repair is complete.

6. Install the steering wheel damper.

A. Remove the steering wheel pad.

NOTICE

Wait at **LEAST 90 seconds** after the ignition switch is turned to the **LOCK** position and the negative (–) terminal cable is disconnected from the battery before performing this procedure.

Refer to TIS, applicable model and model year Repair Manual:

- 2005 Tacoma:
Vehicle Exterior – Horn – “Horn Button Assy: Replacement”

Driveline Vibration Between 15 - 25 MPH

Repair Procedure (Continued)

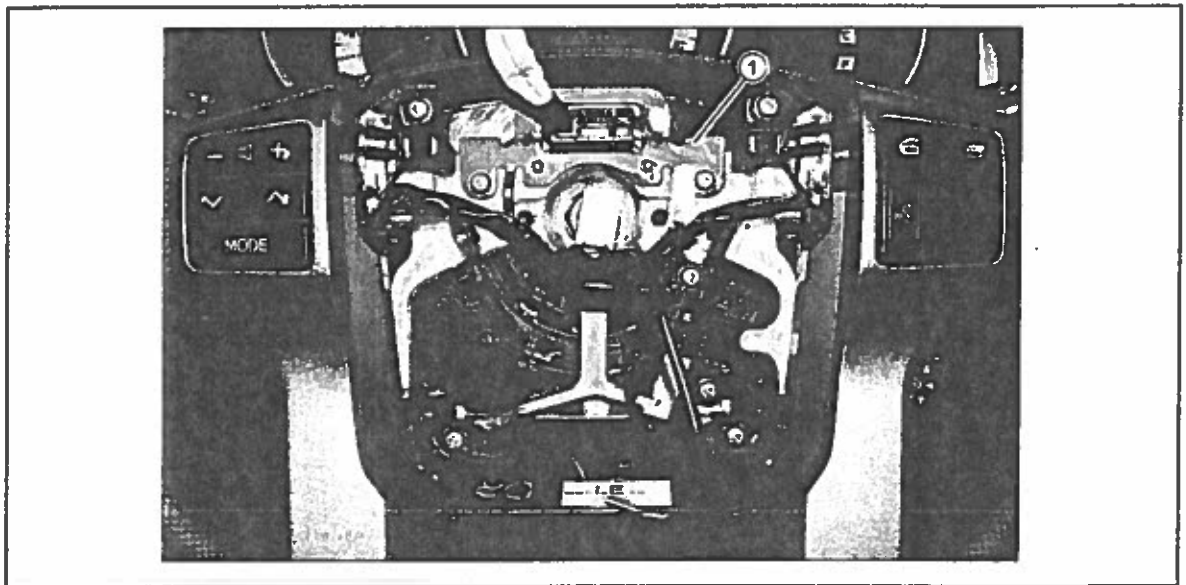
- 2006 / 2007 / 2008 / 2009 / 2010 / 2011 (to 12/2010) / 2011 (from 12/2010) / 2012 / 2013 Tacoma:
Vehicle Interior – Supplemental Restraint Systems – "Supplemental Restraint System: Steering Pad: Removal"

- B. Remove the steering wheel switch wire harness retainer bracket (only for vehicles with steering wheel mounted switches).

Is the steering wheel switch wire harness retainer bracket present? (See Figure 3.)

- **YES** — Proceed with removal of the bracket.
- **NO** — Proceed to step C.

Figure 3.



1	Steering Wheel Switch Wire Harness Retainer Bracket
---	---

Driveline Vibration Between 15 - 25 MPH

Repair Procedure (Continued)

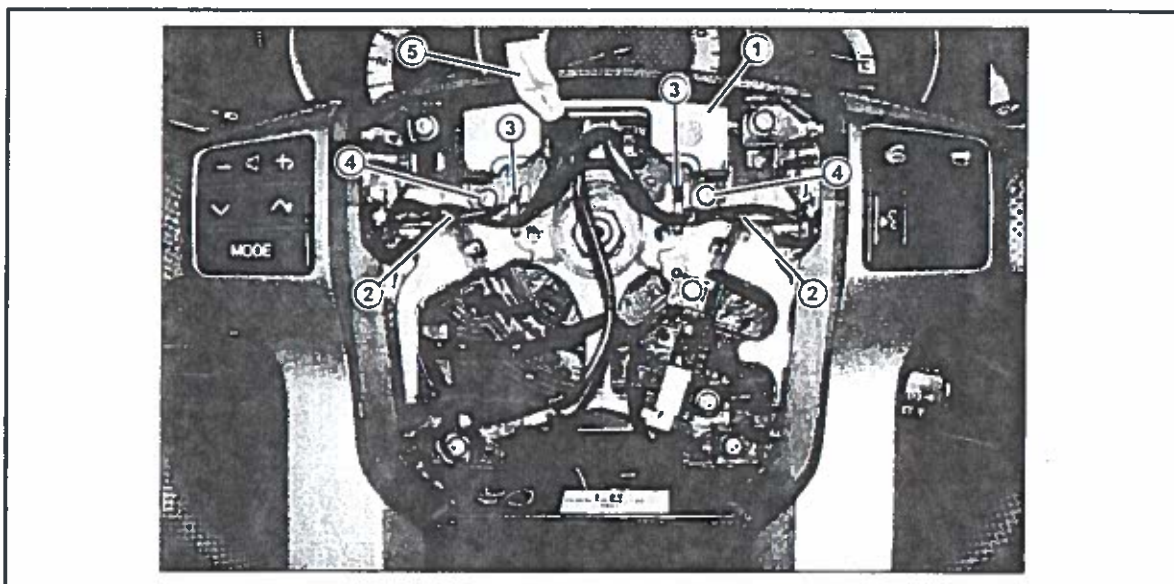
- C. Install the steering wheel damper with 2 new screws in the location shown in Figure 4.

CAUTION

Use care when handling the drivers airbag wire harness during steering wheel damper installation.

Torque: 2.35 N*m (24 kg*cm, 20.8 in*lbft)

Figure 4.



1	Damper
2	Steering Wheel Switch Wire Harness
3	Wire Retainer Hooks

4	Screw
5	Drivers Airbag Wire Harness

NOTE

Secure the steering wheel switch wires to the steering wheel damper bracket hooks as seen in Figure 4.

Driveline Vibration Between 15 - 25 MPH

Repair Procedure (Continued)

D. Install the steering wheel pad.

Refer to TIS, applicable model and model year Repair Manual:

- 2005 Tacoma:
Vehicle Exterior – Horn – “Horn Button Assy: Replacement”
- 2006 / 2007 / 2008 / 2009 / 2010 / 2011 (to 12/2010) / 2011 (from 12/2010) / 2012 / 2013 Tacoma:
Vehicle Interior – Supplemental Restraint Systems – “Supplemental Restraint System: Steering Pad: Installation”

7. Test drive and confirm the repair.

