



Service Bulletin

File in Section: 03 - Suspension

Bulletin No.: 06-03-09-004K

Date: December, 2017

TECHNICAL

Subject: Squeak Noise from Rear of Vehicle (Lubricate Rear Leaf Springs)

Models: 1999-2007 Chevrolet Silverado (Classic)
2007-2018 Chevrolet Silverado
2014-2018 Chevrolet Express
1999-2007 GMC Sierra (Classic)
2007-2018 GMC Sierra
2014-2018 GMC Savana
2007-2010 HUMMER H3, H3T

Attention: This Bulletin also applies to any of the above models that may be Export from North America vehicles.

This Bulletin has been revised to remove the Colorado/Canyon. Please discard Corporate Bulletin Number 06-03-09-004J.

Condition

Some customers may comment about a squeak noise coming from the rear of the vehicle. During normal operation, certain vehicles may exhibit a squeaking noise that may be traced to the rear leaf springs. While this noise is an operating characteristic of leaf springs, the frequency and severity of this noise will be affected by the roads that the vehicle is driven on.

Cause

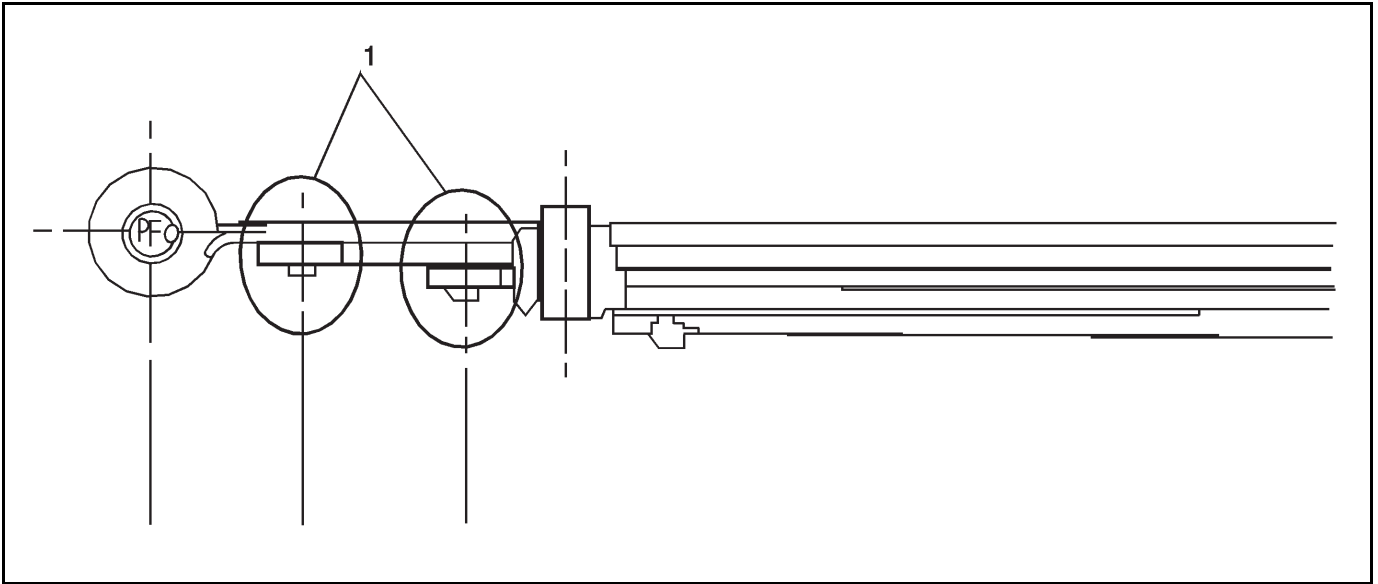
This condition may be due to debris getting between the leaf springs.

Correction

To correct this condition, lubricate the rear leaf springs using the following procedure.

Important: It has been found that the application of grease to the rear leaf springs does a better job of preventing the noise from reoccurring than replacement of the spring.

1. Raise the vehicle on a frame lift-type hoist.
2. Inspect the springs for damage. If none is found, proceed to the next step.
3. Pressure wash the rear leaf springs to remove as much dirt and grit as possible.
4. Dry the springs with compressed air.



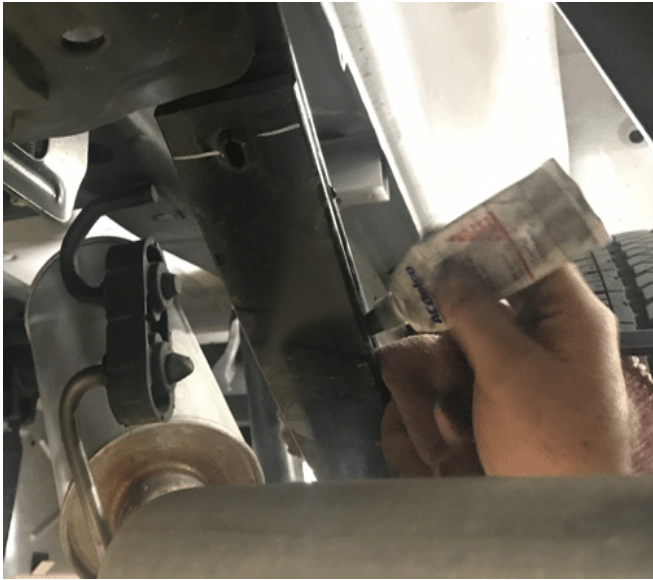
1826776



4842041



4842042



4842043

Note: Ensure any tool used to gently pry the tip inserts or spring leaves is protected to prevent damage to the spring leaves.

5. Apply a liberal amount of grease, P/N 19356408 (in Canada, use P/N 19356409), both underneath and on top of the front and rear tip inserts for the #2 and #3 leaves, as indicated above. A screwdriver can be used to gently pry up the leaf; however, a rag around the screwdriver must be used to prevent damage to the leaf. Use a flat-bladed tool, such as a gasket scraper or a brush to properly distribute the grease at least 6 inches from each end of the leaf.
6. Lower the vehicle to the ground and test drive to verify the repair.

Please inform the customer that this will offer relief, but is not a lifetime repair. Periodic cleaning and grease re-application may be necessary throughout the life of the vehicle.

For 1500 Series (½ ton) models only: On vehicles built prior to October 2004, if the above procedure does not correct this noise, it could be caused by an incorrectly dimensioned splay clip (the band holding the ends of the leafs together) that interferes with the leaf springs. A 5 mm (0.197 in) wider splay clip was introduced in early 2005 model year to provide additional clearance. To correct this concern, replace the rear leaf spring assembly. There was no change to the part number.

Parts Information

Part Number	Description	Qty
19356408 (in Canada, use 19356409)	Lubricant	2

Warranty Information

For vehicles repaired under warranty, use:

Labor Operation	Description	Labor Time
8080008*	Lubricate Rear Leaf Springs-LD	0.5 hr
	Lubricate Rear Leaf Springs-HD	0.9 hr
*This is a unique Labor Operation for Bulletin use only.		