

- ATTENTION:**
- GENERAL MANAGER
 - PARTS MANAGER
 - CLAIMS PERSONNEL
 - SERVICE MANAGER

IMPORTANT - All Service Personnel Should Read and Initial in the boxes provided, right.

| | | |
|--|--|--|
| | | |
| | | |

© 2015 Subaru of America, Inc. All rights reserved.



QUALITY DRIVEN® SERVICE

SERVICE BULLETIN

APPLICABILITY: 2013-14MY Legacy and Outback Models with 2.5L FB Engines
 2011-14MY Forester Models with 2.5L FB Engines
 2015 MY Forester (Manual Transmissions Only) with 2.5L FB Engines
 2012-13 MY Impreza and XV Crosstrek Models with 2.0 FB Engines
 2014-15 MY Impreza and XV Crosstrek Models (Manual Transmissions Only) with 2.0 FB Engines

NUMBER: 02-157-14R
DATE: 08/28/14
REVISED: 04/13/16

SUBJECT: Engine Oil Consumption

INTRODUCTION

As part of our dedication to customer satisfaction, Subaru of America, Inc. is initiating a program to extend the original New Car Powertrain Limited Warranty coverage for excessive engine oil consumption on applicable vehicles to 8 years / 100,000 miles from the original warranty start date. This Warranty Extension will not cover any excessive engine oil consumption found to be a result of any condition(s) other than those specifically described in this bulletin.

This condition must be verified during an inspection and when determined necessary, an oil consumption test performed by an authorized Subaru retailer. SOA will inform vehicle owners this condition may exist via a customer letter. For vehicles within the coverage guidelines listed in this bulletin, customers can schedule an inspection appointment with an authorized Subaru retailer.

IMPORTANT: ALWAYS perform a Vehicle Coverage Inquiry on Subarunet to determine eligibility for this Warranty Extension before proceeding. The VIN should also be checked for any open campaigns or recalls at this time. See sample inquiry result below.

| EXTENSIONS | | | | | | | |
|------------|--------|---------------|--------------|----------------|-----------------|-------------|-------|
| COVERAGE | REASON | ADDT'L MONTHS | ADDT'L MILES | EFFECTIVE DATE | EXPIRATION DATE | UPDATE DATE | USER |
| ***** | ***** | ***** | ***** | ***** | ***** | ***** | ***** |
| WC | AFT | 36 | 40,000 | XXXXXX | XXXXXX | XXXXXX | ADMIN |

Effective immediately through April 21, 2017, ALL affected vehicles, regardless of mileage and warranty start date will be covered for these repairs. All inspections and repairs must be completed prior to the April 21, 2017 expiration date of this Warranty Extension.

IMPORTANT: In the event a vehicle has exceeded 100,000 miles prior to April 21, 2017, please contact the Subaru Claims Team at: 1-866-782-2782 to register the mileage PRIOR to claim submission.

After April 21, 2017, this coverage extends the vehicle's Powertrain Limited Warranty as it applies to excessive engine oil consumption to 8 years / 100,000 miles from the original warranty start date providing additional coverage for some vehicles. All inspections and repairs must be completed prior to expiration of this 8-year /100,000 Warranty Extension.

Continued...

This bulletin contains several important revisions regarding warranty coverage and for determining when an engine oil consumption test should be performed. **Review the entire bulletin** to ensure full understanding of these and other changes.

Immediately delete and discard any electronic or paper copies you may have saved locally as they are no longer valid. If you have any locally saved copies of Service Bulletins 02-143-13R, 02-144-13R and 02-145-13R, delete or discard them as they have been invalid since the original release date of this bulletin and should never be used. Vehicles **confirmed** as having an excessive oil consumption condition which are within the supplied VIN ranges, will continue to be repaired by replacing the engine short block assembly.

VERY IMPORTANT: Read and understand this bulletin **COMPLETELY** before starting an oil consumption test or initiating any repairs.

It is critical to **confirm** the actual condition prior to attempting repairs. **Some oil consumption should be expected as a by-product of engine operation.** Failure to recognize this along with incorrectly diagnosing the condition can result in unnecessary repairs.

Examples of **acceptable** engine oil consumption:

- A vehicle not equipped with a low engine oil level warning lamp and found to have an engine oil level at or below the add mark on the dipstick after having traveled 4000 miles or more since the last engine oil change does **not** require an oil consumption test be completed.
- A vehicle equipped with a low engine oil level warning lamp** which has illuminated after having traveled 5000 miles or more since the last recorded engine oil change does **not** require an oil consumption test be completed.

The information supplied in this bulletin is only applicable to vehicles within the provided specific production ranges and **confirmed** as having an oil consumption rate of **MORE THAN** one-third (1/3) of a quart (10.6 fluid ounces) in 1200 miles as determined by an engine oil consumption test.

Concerns related to a possible oil consumption condition are generally initiated when the customer believes the engine oil level on the dipstick has dropped since the last time it was checked or when the low oil lamp illuminates. It is important to understand all the factors involved when determining if a repair is required or an oil consumption test should even be started.

REMINDER: Some oil consumption should be expected as a by-product of engine operation. How much and when it is consumed varies according to manufacturing tolerances, wear, and vehicle usage patterns. With the extended service intervals commonly used for today's engines combined with one or more of the conditions listed below, it may be necessary to add engine oil between the scheduled maintenance intervals:

- When the engine is new and within the break-in period (during the first 1000 miles)
- When the engine oil being used is of lower quality (other than "Energy or Resource Conserving" API Classification SM or SN or ILSAC, look for the starburst design with GF-4 or GF-5)
- When the incorrect oil viscosity is used
- When engine braking is employed

Continued...

- When the engine is operated at high engine speeds (continually or under frequent, hard acceleration)
- When the engine is operated under heavy loads (frequent carrying of heavy cargo, passengers or trailer towing)
- When idling for extended periods
- When the vehicle is operated in stop and go and/or heavy traffic situations
- When the vehicle is used under severe temperature conditions (cold or hot)
- When the vehicle accelerates and decelerates frequently.



Under these or similar operating conditions, the oil level should be checked more frequently. The engine oil and filter may also need to be changed more often.

As related information, the low oil level warning light (if equipped) is designed to illuminate when the engine oil level is approximately 1.1 quarts below full (engine OFF). Keep in mind, oil remains suspended in the engine while running and will not fully drain back until the engine has been shut off for at least 5 minutes. For this reason, the oil level should not be checked for at least 5 minutes after shutting the engine off. See Section 3 of the Owner's Manual for more information on the oil level warning system.

****NOTE:** A procedure to reduce false illumination of low oil level warning lamp (if equipped) is provided later in this bulletin for how to address customer concerns of the low engine oil level warning lamp illuminating prematurely when the oil level is either full or nearly full.

PRODUCTION CHANGE INFORMATION

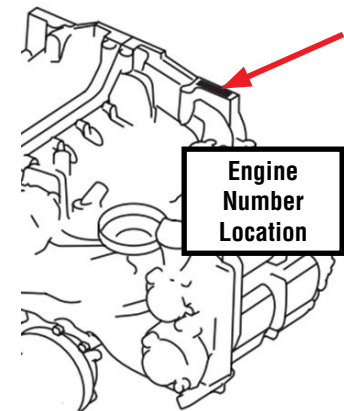
Redesigned piston rings were incorporated into production as per the table below. Vehicles with VINs / engine numbers PRIOR to those listed below should be repaired following the procedures outlined in this TSB and the applicable Service Manual.

| MODEL | MODEL YEAR | TRANSMISSION | STARTING VIN | ENGINE NUMBER |
|---------------------|------------|--------------|----------------|---|
| Forester | 2011-14 | MT | All | All |
| | 2015 | | Below F*543650 | Below 527514 |
| | 2011-13 | 4AT or CVT | All | All |
| | 2014 | | Below E*529004 | Below 132164 |
| Impreza 4- & 5-Door | 2012-14 | MT | All | All |
| | 2015 | | Below F*270253 | Below 627010 |
| Impreza 4-Door | 2012 | CVT | All | All |
| | 2013 | | Below D*033336 | Below 930025 (FA1 Line*) or 652640 (FB2 Line*) |

Continued...

| MODEL | MODEL YEAR | TRANSMISSION | STARTING VIN | ENGINE NUMBER |
|-------------------|------------|--------------|----------------|---|
| Impreza 5-Door | 2012 | CVT | All | All |
| | 2013 | | Below D*886714 | Below 930025 (FA1 Line*) or 652640 (FB2 Line*) |
| Legacy | 2013-14 | MT | All | All |
| | 2013 | CVT | Below D*048086 | Below 151602 |
| Outback | 2013-14 | MT | All | All |
| | 2013 | CVT | Below D*321435 | Below 151602 |
| XV Crosstrek | 2013-14 | MT | All | All |
| | 2015 | | Below F*270284 | Below 627010 |
| | 2013 | CVT | Below D*856139 | Below 930025 (FA1 Line*) or 652640 (FB2 Line*) |

* **NOTE:** When determining the engine number, use the **LAST 8** characters of the number stamped into the boss on top of the block adjacent to the starter and shown in the illustration. The engine number range for the FA1 assembly line is 800000 to 930025 and the FB2 range is 000000 to 652640.



PART INFORMATION

The chart below provides a required part list for the short block replacement procedure. This list is provided as a reference only and may not be totally complete depending on the needs of your specific repair. **Always verify with your Parts Department that all needed parts with the most up-to-date part numbers are ordered.**

| PART NUMBER | DESCRIPTION | QTY. /REPAIR | APPLICABILITY |
|-------------|--------------------|--------------|----------------------------------|
| 10103AC600 | Short Block Assy. | 1 | 2014-2015MY Forester |
| | | | 2013-2014MY Legacy & Outback |
| 10103AC700* | | | 2013MY XV Crosstrek 2.0L CVT |
| | | | 2013-2015MY XV Crosstrek 2.0L MT |
| 10103AC420* | | | 2012-2013MY Impreza 2.0L CVT |
| 10103AC690* | | | 2012-2015MY Impreza 2.0L MT |
| 10103AC660 | | | 2011-2013MY Forester |
| 11821AA660 | PCV Adaptor | 1 | |
| 44011AC030 | Exhaust Gasket | 2 | |
| 44616AA200 | Center Pipe Gasket | 1 | |
| 14035AA580 | Intake Gasket | 2 | |

Continued...

| PART NUMBER | DESCRIPTION | QTY. /REPAIR | APPLICABILITY |
|-------------|----------------------------|--------------|--------------------------------------|
| 14852AA040 | EGR Pipe Gasket | 1 | |
| 14738AA150 | | 1 | |
| 806912190 | O-Ring, Chain Cover | 3 | |
| 806924120 | | 1 | |
| 806915100 | O-Ring, Tensioner | 1 | Up to 1/2012 |
| 806916080 | | 1 | 2/2012 and Later |
| 10966AA040 | Seal, Spark Plug Tube | 4 | |
| 13270AA240 | Rocker Gasket* | 1 | Impreza, Forester and XV Crosstrek |
| 13272AA170 | | 1 | |
| 13270AA27A* | | 1 | *Legacy & Outback |
| 13272AA21A* | | 1 | |
| 806915170 | O-Ring, Cam Carrier | 4 | |
| 11044AA790 | Head Gasket* | 1 | Legacy, Outback and Forester |
| 10944AA080 | | 1 | |
| 11044AA780* | | 1 | *Impreza and XV Crosstrek w/ 2.0L |
| 10944AA070* | | 1 | |
| 11122AA350 | Sealing-Oil Pan | 2 | |
| 806949060 | O-Ring, Pick-Up Tube | 1 | |
| 806932030 | O-Ring, Upper Oil Pan | 3 | |
| 21236AA050 | Thermostat Gasket | 1 | |
| 806939060 | O-Ring, Crank Extension | 1 | |
| 806750080 | Oil Seal, Front Crankshaft | 1 | |
| 16608KA000 | Injector O-Rings | 4 | |
| 16698AA110 | | 4 | |
| 15208AA15A | Oil Filter | 1 | |
| 803916010 | Gasket, Drain Plug | 1 | |
| 806933010 | O-Ring, Coolant Cross-Over | 2 | |
| 11136AA140 | Oil Level Switch | 1 | All EXCEPT 2012MY Impreza 5MT |
| 11136AA160 | | 1 | 2012MY Impreza 5MT ONLY |

*** IMPORTANT NOTES:**

- When the Short Block Assembly for your vehicle application is a 10103AC390, that number is for CVT models only. For M/T models, when a 10103AC390 is specified, use 10103AC700.
- When the Short Block Assembly for your vehicle application is a 10103AC420, that number is for CVT models only. For M/T models, when a 10103AC420 is specified, use 10103AC690.

Continued...

MISCELLANEOUS MATERIALS

| SOA (ORDERABLE) PART NUMBER | WARRANTY PART NUMBER | DESCRIPTION | QUANTITY |
|--------------------------------|-------------------------|------------------------|----------|
| SOA868V9610 | SOA635305 | ThreeBond 1217H | 1 |
| SOA868V9270 | SOA635041 | Super Coolant, (qt.) | 8 |
| SOA427V1310 | SOA635045 | Engine Oil (qt.) 0W-20 | 6 |

SERVICE PROCEDURE / INFORMATION

Before starting any repairs, the first step is to **always confirm the customer's complaint**. It is **critical** to get as much information from the customer as possible to help you make the most accurate diagnosis.

- Review all the available service and repair history along with any other records the customer can provide to establish whether or not the vehicle has been properly maintained.
 - Perform a thorough visual inspection to make sure there are no external oil leaks that could be contributing to the condition.
 - It is also very important to not overlook the engine's PCV system and to confirm it is operating properly. Check the air filter assembly and throttle body / intake manifold for any excessive oil residue which could be an indicator of a sticking or failed PCV valve.

NOTES:

- An oil consumption test will need to be completed to determine the proper course of action. There is a specific procedure and Oil Consumption Test form which must be completed. See **Subarunet \ Service \ Forms** for the latest test form. Always print the latest form anytime a new test is started.
- Where applicable, available reprogramming to reduce the possibility of false low engine oil level warning lamp illumination must be installed.
- See **Service Procedure to reduce false illumination of low oil level warning lamp (on models so equipped)** later in this bulletin for further instructions. This must be completed at either the start or end of the consumption testing regardless of the final outcome.
- **IMPORTANT:** At the start of the Oil Consumption Test Form, specific information regarding what prompted (reason for) the testing must be collected. Once this questionnaire section of the form is completed, it must be faxed to 856-488-3199. Upon completion of the actual consumption test, the remainder of the form must be completed and faxed **AGAIN** to 856-488-3199. This information is being collected for quality assurance purposes only. You will not receive any response from these submissions. This is **NOT** an authorization process. Proceed with any necessary testing or repairs as indicated by the information provided in this service bulletin, the Oil Consumption Test form results, Subaru's Claims Policies and Procedures, and your evaluation of the actual condition presented based upon your review of all three areas. Keep in mind, these repairs should only be completed when unusual oil consumption has been confirmed.

Before initiating the consumption test, all basic checks must be completed. These include (but are not limited to): confirming the actual oil level, noting if any oil has been added prior to this visit and how much, checking for any external leaks, confirming PCV operation, and verifying that a consumption test has not already been started or completed previously. Always use the latest Oil Consumption Test form found on Subarunet in the Service Forms area. Follow the instructions outlined on the form.

Continued...

NOTE: The oil and filter change is only necessary if no prior consumption test has been completed or is already in process. There is no need for duplicate or repeat testing. One-time documented results are all that is required to move forward with these repairs. Always close the repair order on the day the oil change has been completed and submit the claim for the oil consumption test using the coding provided at the end of this bulletin. Indicate “Oil Consumption Test” in the comments field / box when entering your claim. **DO NOT hold the repair order open until the vehicle returns.** Have the customer drive the vehicle then return for inspection when any of the following have occurred:

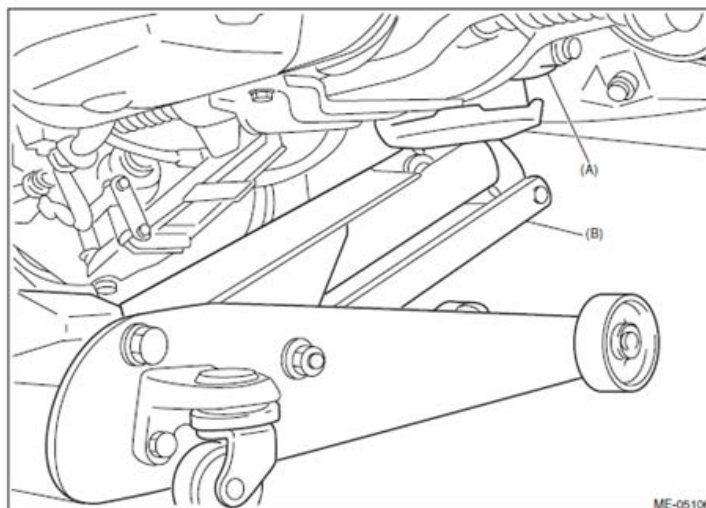
- At least 1200 miles have elapsed
- When the low engine oil level warning lamp illuminates (when equipped)
- When the oil level reaches the lower hole in the dipstick/ gauge (as determined by the customer).

The customer should be advised to not add oil unless there will be a significant delay before they can return for inspection once a low oil condition occurs. A one-time check of the oil consumption by the retailer is all that is needed to establish if the condition outlined in this bulletin applies.

SPECIFIC SERVICE PROCEDURES

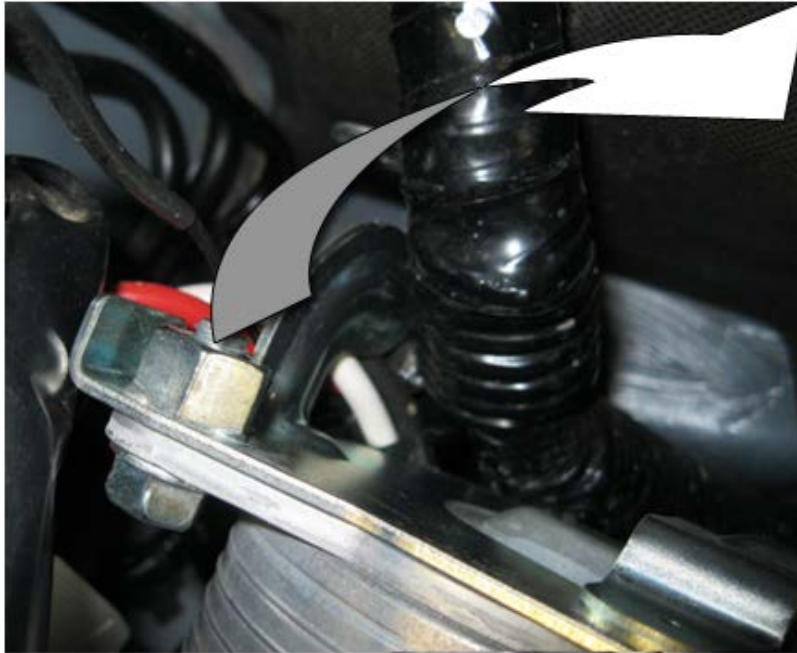
The following information is provided to underscore service procedures specific to the repairs outlined in this bulletin. The procedures provided here are specific to certain steps in the overall process. They are not meant to represent the entire repair process from start to finish. In some cases, they will differ greatly from the Service Manual instructions and should be followed in place of the Service Manual for these specific areas only. For the balance of the repair procedure, refer to the Service Manual. It is highly recommended to review all of the Service Manual procedures for short block replacement then review these specific procedures to become familiar with the differences.

- When draining the engine oil, do not remove the engine oil filter. Leave the existing oil filter in place through engine disassembly, reassembly, installation and initial startup after engine reassembly.
- When removing the engine, there is no need to remove the transmission case cover (CVT only) or to disconnect / disturb any of the transmission harness connectors. While raising the transmission with the service jack placed under the front differential as shown in the illustration below, **only raise it enough to access and remove the engine mounting hardware.** Raising it too high can push the transmission up into the bulkhead / transmission tunnel and possibly cause damage.



Continued...

- When removing the CVT fluid cooler (if equipped), leave it attached to its mounting bracket and remove as an assembly (3 bolts) from the transmission. Disconnect just the engine coolant hoses from it and do not disturb the 2 short CVT fluid lines. Hook one of the cooler's mounting bracket "ears" behind the bulkhead harness as shown in the photo below to keep the cooler assembly out of your way. Use a shop cloth between the "ear" and the bulkhead harness to prevent any chafing.

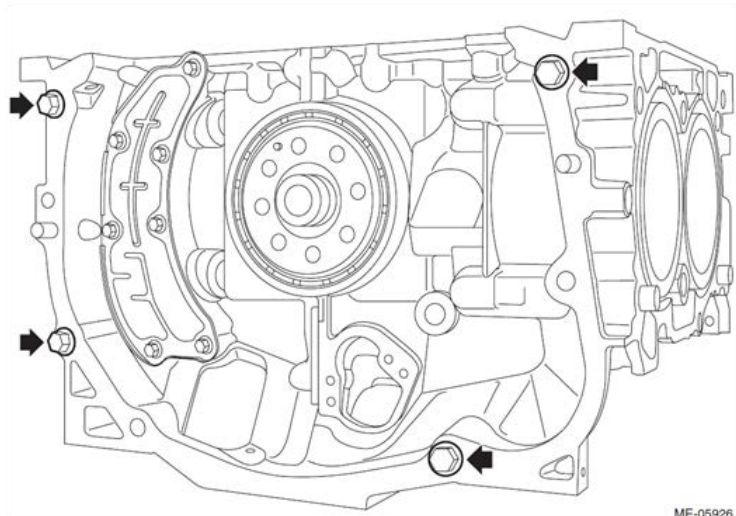


- To make separating the transmission (CVT) from the engine easier, there is a pry relief shown below in the machined mounting surface of the transmission case near the engine number. Use caution when applying any prying pressure and avoid twisting the tool to prevent case damage.



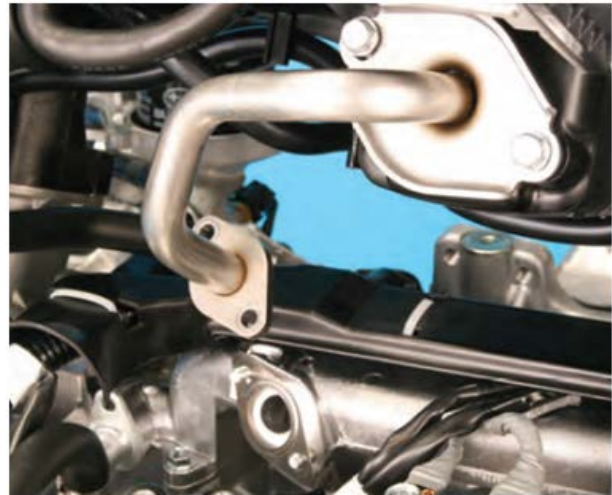
Continued...

- Once the engine is removed, if you are using a generic engine stand (preferable since engine rotation is necessary), use the four mounting holes on the engine block shown below to mount it. **NOTE:** Do not use the mounting studs in the upper oil pan.



ME-05926

- When removing the intake manifold, as shown in the photos below, leave the TGV assemblies attached to the upper intake, remove the 2 nuts holding the EGR tube to the water pipe then remove the complete assembly from the cylinder heads as a unit.

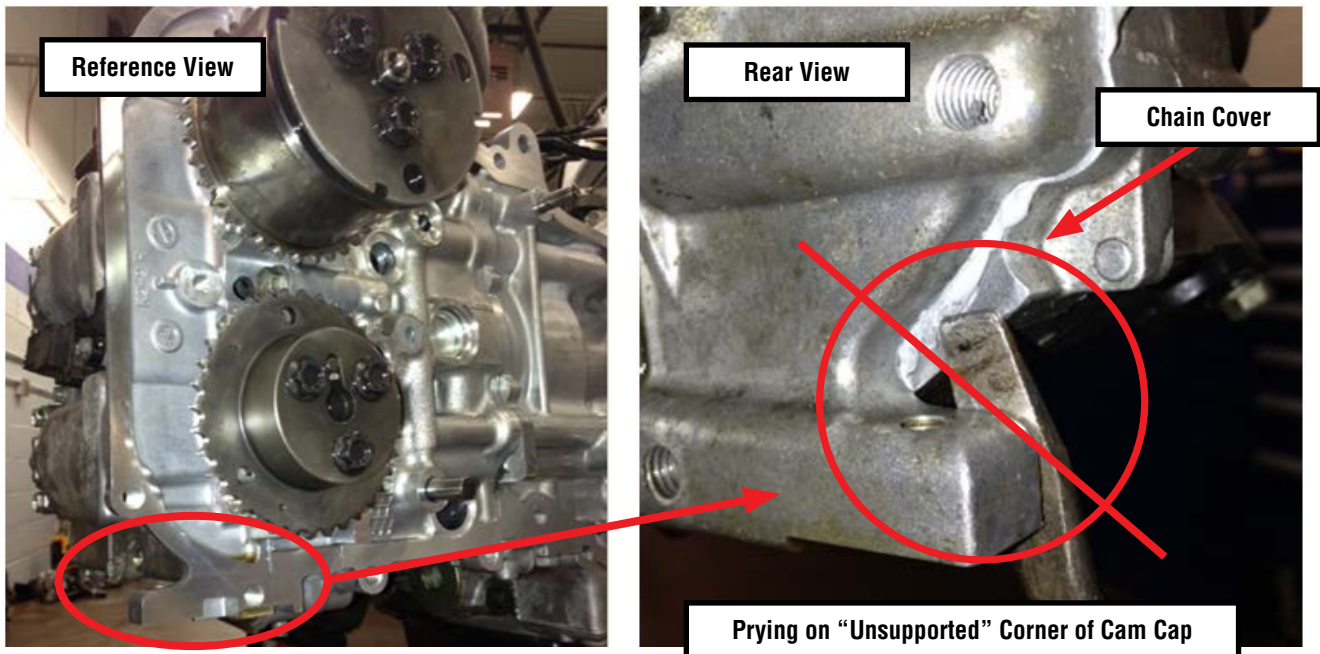


- There is no need to remove the oil dipstick tube or the original oil filter from the front chain cover. While the cover is removed, store it face (front side) down to minimize the chances of damaging the machined sealing surface on the block / head side. Also, don't use it as a tray to store other removed parts.

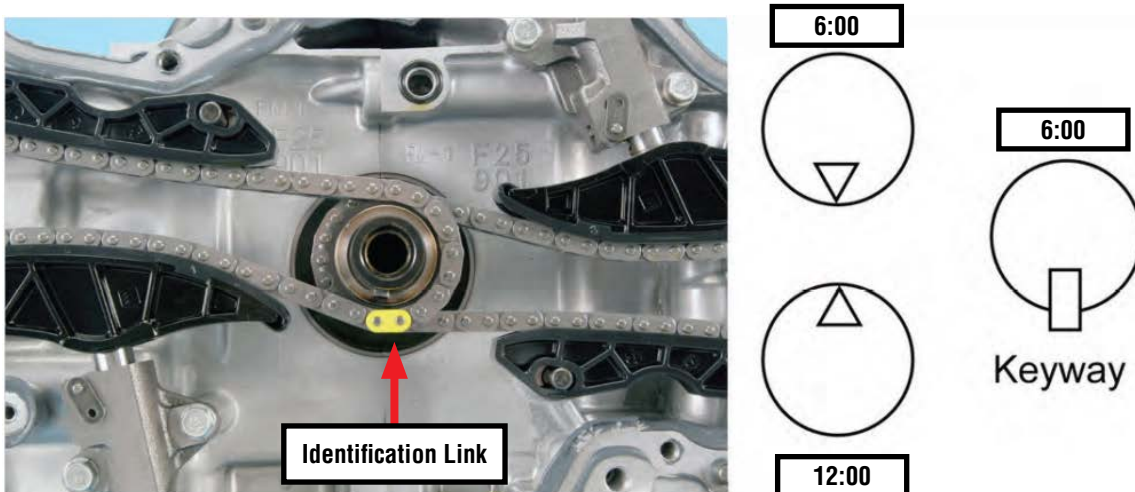
NOTE: On 2011MY Forester, refer to TSB 02-116-11 for revised crankshaft pulley, boss assembly, o-ring and retaining bolt information. Prior to engine number 0048496, these items are one-time use and **MUST** be replaced.

- IMPORTANT:** After all 32 bolts securing the chain cover are removed, be **EXTREMELY** careful where you pry and what you pry on to break the silicone sealant's bond. The photos below show an example of where **NOT** to pry. In this case, the cam cap became cracked requiring a complete cam carrier replacement. *Patience is the key!*

Continued...



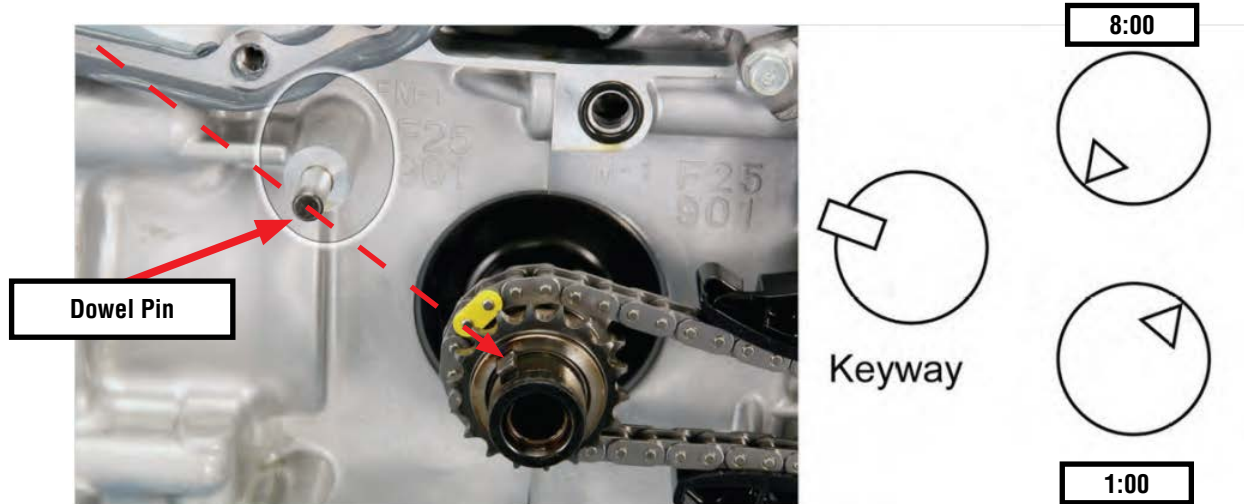
- Refer to the instructions found in the Technician Reference Booklet (TRB) for Technical Training Module 105: “Chain Driven Valve Train Boxer Engines” when removing and reassembling the timing chain components. The photos and instructions found in the TRB and provided below have shown to be preferable to those provided in the Service Manual.
- The timing chains driving the camshafts are identical and are provided with colored identification links used to align with component timing marks. Chain guides are also identical for the left and right banks. It is recommended to mark the parts as they are removed. Return them to their original positions during reassembly to maintain established wear patterns. Colors used for the identification links will vary.
- Begin timing chain removal by positioning the crankshaft keyway at the 6:00 position. The RIGHT bank intake camshaft timing mark (Δ) must be at 6:00 with right bank exhaust timing mark at 12:00 (camshafts will be unloaded).



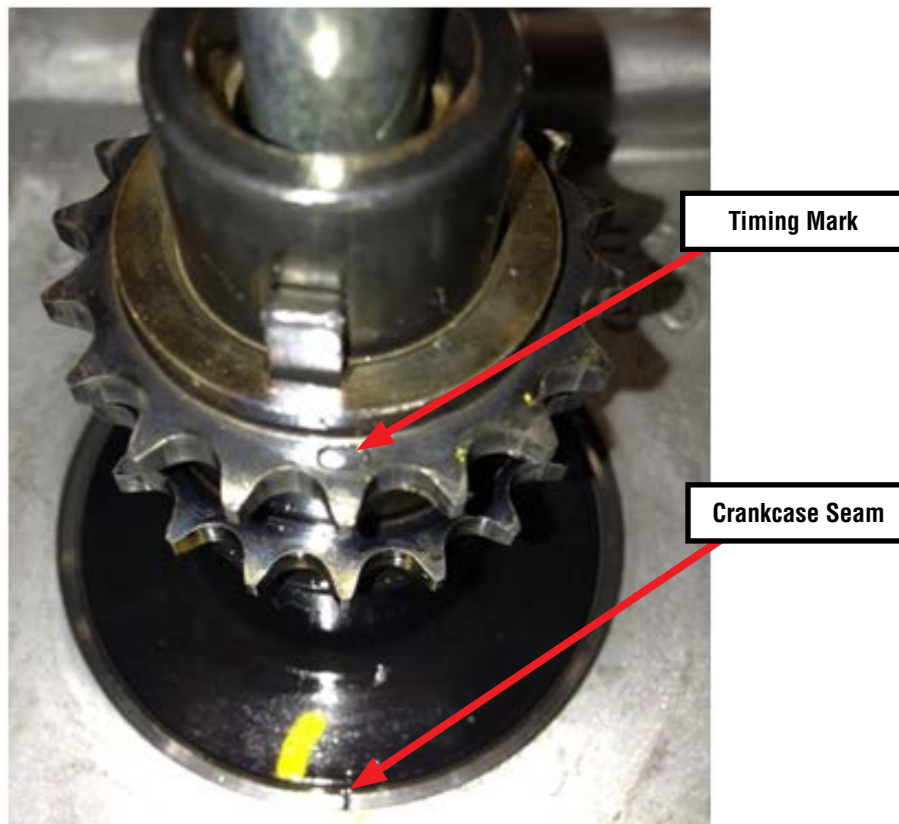
- Compress the chain tensioner by hand, insert a pin through the lever into the access hole to lock the plunger in place then remove the 2 bolts, tensioner, guides and right side timing chain.

Continued...

- After turning the crankshaft **CLOCKWISE**, repeat the procedure for the **LEFT** side with the timing marks (Δ) positioned as shown below. Align the crank sprocket keyway with RH chain dowel pin (shown in red below).



- Compress the chain tensioner by hand, insert a pin through the lever into the access hole to lock the plunger in place then remove the 2 bolts, tensioner, guides and the left side timing chain.
- After the left chain is removed, turn the crankshaft in a **COUNTER CLOCKWISE** direction until the timing mark on the crankshaft sprocket (**NOT** the keyway) is back to the 6:00 position as shown below. This positions all the pistons away from TDC and prevents accidental contact between the pistons and valves.



Continued...

- Before proceeding, it is best to rotate the engine on the stand 90 degrees so it is vertical with one cylinder head facing up (head gasket surface horizontal).
- Remove the rocker cover then the cam carrier from the head that is “up”. Do not disturb the small camshaft end cap covers. Remove the cam carrier with the camshafts as an assembly. At this point, the rest of the valve train is sitting loose on the cylinder head. **It is imperative all the rockers, selective lash caps and rocker pivots be returned to their original positions and orientation on the cylinder heads during reassembly. This eliminates the need to check and / or adjust the valve lash / cam clearances. TIP:** An egg carton for each head makes a perfect organizer tray. Make sure to mark it as necessary (front, intake, exhaust) to eliminate any mixing of parts.
- Loosen the cylinder head bolts in proper order, remove the head, then flip the engine over and repeat the same steps for the opposite side.
- It is very important to take the time necessary to thoroughly clean the old silicone sealer from all the removed components before reassembly. It is a good idea to clean the surrounding areas then use tape to block off any oil passages in the front cover and cam carriers so any small bits of removed silicone debris are kept from entering the oil passages and possibly causing problems after reassembly. Once all the old sealer has been removed, remove any block-off tape, rinse out any oil passages thoroughly with brake cleaner and shop air.
- Don’t forget to thoroughly clean (**without removing**) the filter screens in the cam carriers. In addition, always be sure to do a thorough inspection and cleaning of the oil pan, pick-up tube and screen as shown in the photos below before reassembly.



Cam Carrier Filter Screen



Oil Pick Up Tube/Filter Screen Assembly

REASSEMBLY

Begin by putting the new short block onto your engine stand using the same mounting points as before.

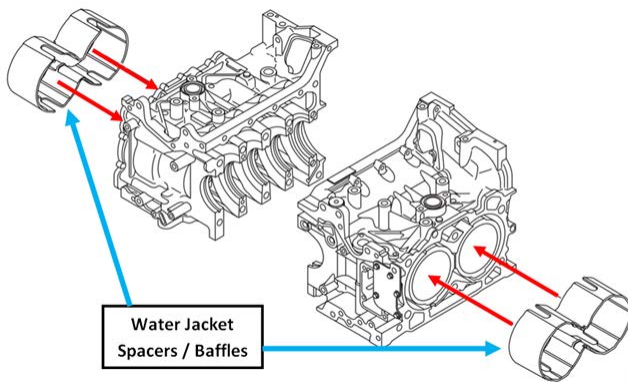
Important Reminders:

- Install the new **one-time use** PCV adapter. **NOTE:** Never try to reuse the original.
- Swap over the PCV assembly and the PCV baffle plate onto the front of the block. **NOTE:** No sealer is used between the baffle plate and the block.

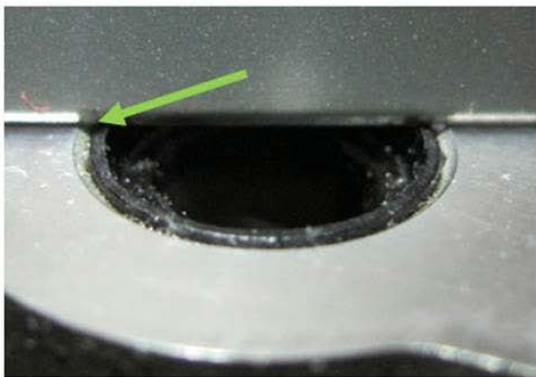
Continued...



- If equipped, swap over the water jacket coolant spacers / baffles into the new block.
- Head gaskets are marked “L” and “R”. Always make sure they are properly installed while paying close attention to the sealer application areas as outlined in the Service Manual.
- Always make sure to clean the head bolt threads and apply engine oil to the threads and head bolt washers before starting the torque sequence. **Always follow the torque sequence closely.**



- **IMPORTANT:** If by chance the AVCS filter screens in the cam carriers have come loose, fallen out or become lost during disassembly, they are available separately (p.n. 14451AA050). **NOTE:** Although the filter screens are not directional, they must be installed flush with the machined surface of the cam carrier as shown in the OK photo below. The NG photo shows the screen installed too deep into the camshaft carrier. Engines with AVCS on both intake and exhaust will have 2 filters in each carrier as opposed to just one (intake only AVCS).



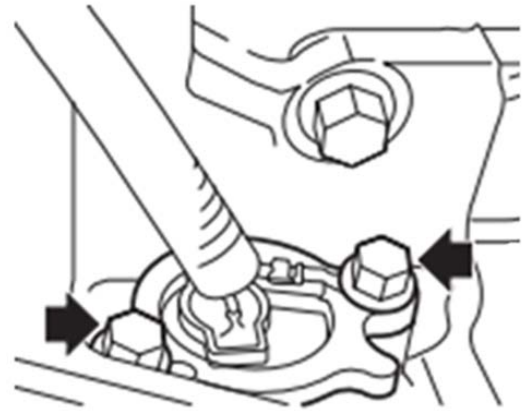
OK- Filter Screen flush with machined surface of camshaft carrier.



NG- Filter Screen installed too deep into the camshaft carrier bore.

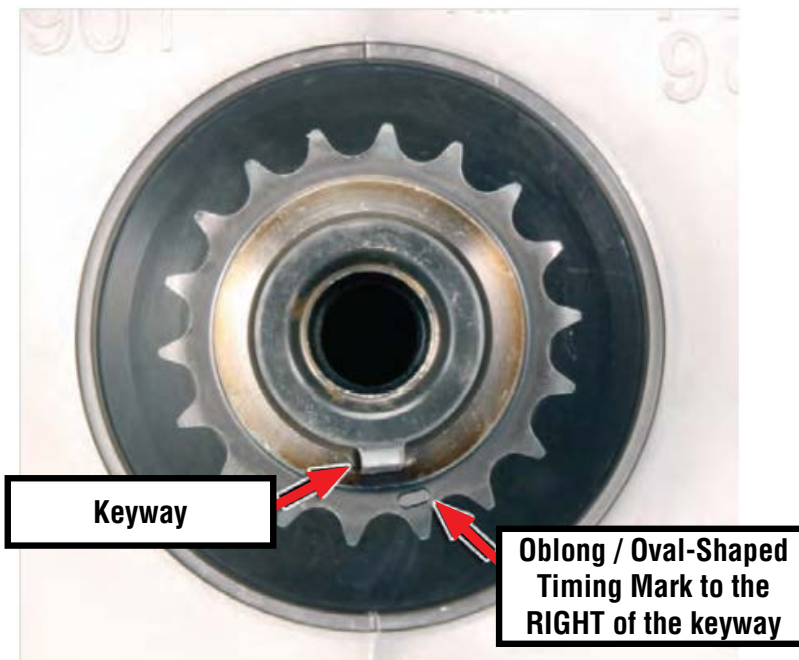
Continued...

- Before installing the upper and lower oil pans, **always thoroughly clean and inspect the pick-up tube and screen.** Always use new o-rings on the pick-up tube and both oil pans during reassembly.
- After cleaning the upper oil pan assembly, replace the oil level switch assembly as shown in the illustration on the right. Torque the 2 retaining bolts to 6.4 Nm (56 inch-pounds).



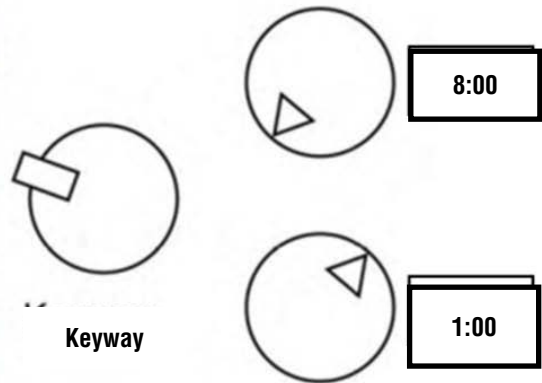
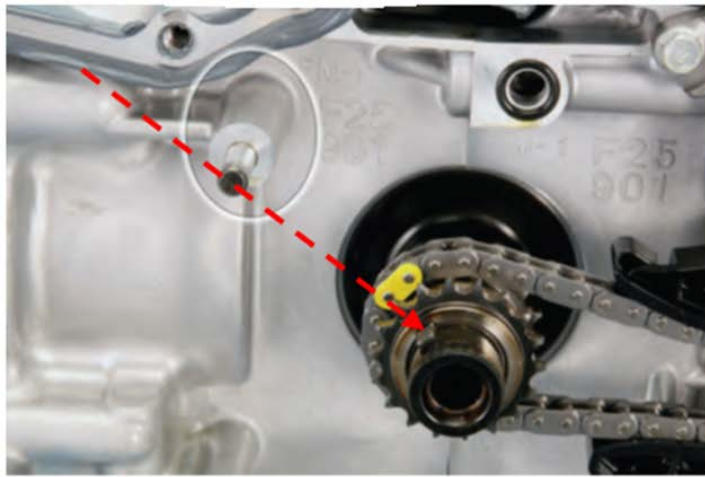
NOTE: DO NOT use any sealer in conjunction with the new o-ring included with the new oil level switch.

- Once the basic “long block” has been reassembled (valve cover to valve cover), proceed with installation of the timing components as outlined below.
- **IMPORTANT REMINDER:** To eliminate possible confusion, it is **strongly recommended to follow** the timing chain reinstallation procedure outlined in this TSB and / or the Technician Reference Booklet (TRB) for Module 105: “Chain Driven Valve Train Boxer Engines” instead of the Service Manual procedure.
- To begin timing chain re-installation, turn the crankshaft **COUNTER-CLOCKWISE** until the crankshaft sprocket keyway is back to the 6:00 position. This positions the pistons away from TDC and prevents accidental contact with the valves. **NOTE:** The keyway is **NOT** a timing mark. The oblong / oval-shaped timing mark must face front and be to the **RIGHT** of the keyway as shown below. Do not confuse this mark with a mark which may be found on the back side of the sprocket.

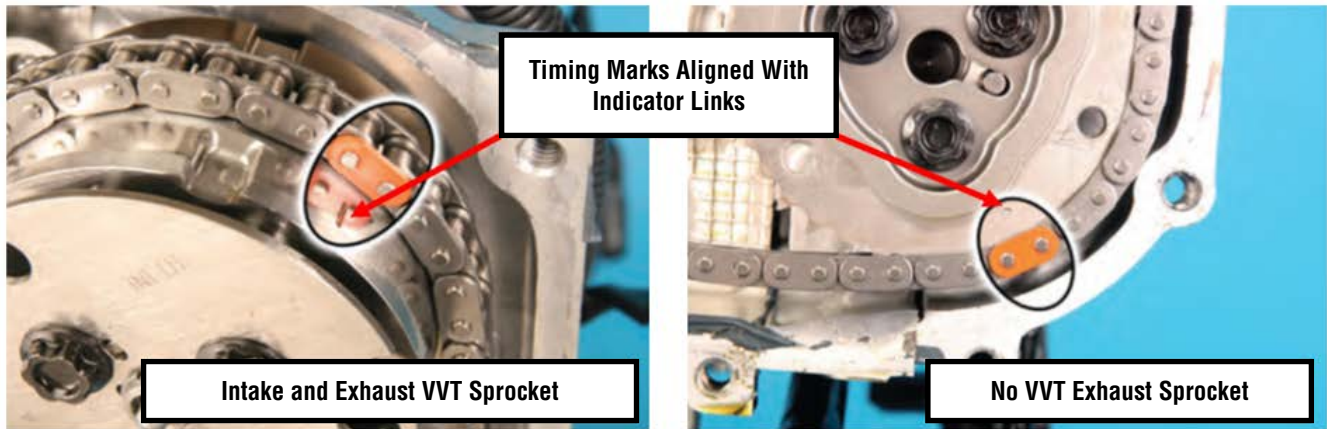


- Arrange the timing marks as shown below, turning the crankshaft **CLOCKWISE** into position. Align the indicator link with the timing mark on the crankshaft sprocket, keyway with the dowel pin.

Continued...



- Align the indicator links to the timing marks found on the outside of the sprocket assemblies as shown in the photos below (Exhaust sprocket face images vary with / without exhaust VVT).

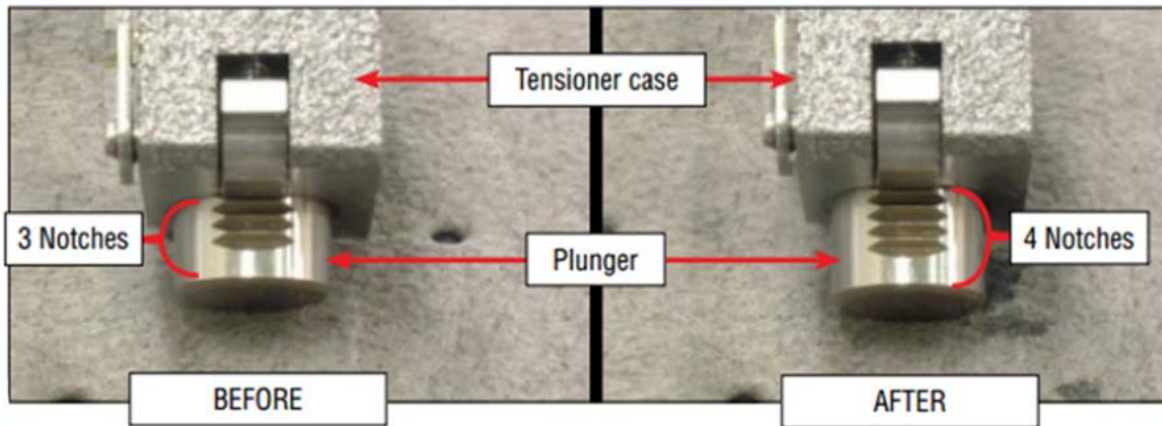


- Install the chain guides and tensioner. Once proper positioning has been confirmed, pull the pin to release the tensioner. With your hand, grab and squeeze the upper and lower chain / guides together as shown in the reference photo below to allow the plunger in the tensioner to fully extend and click into its furthest notch.

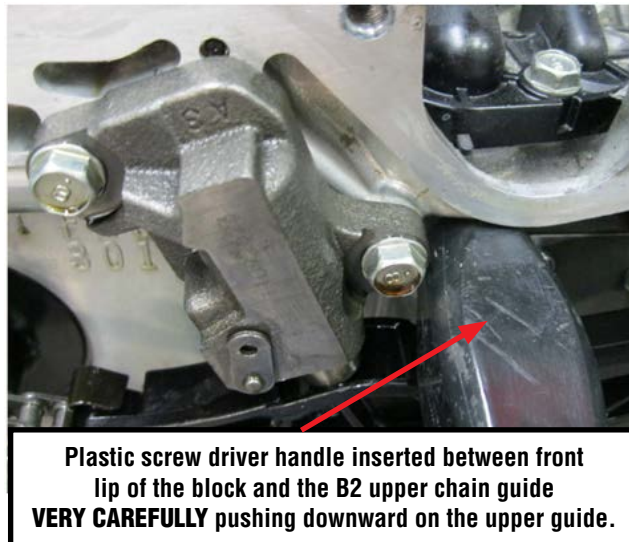


Continued...

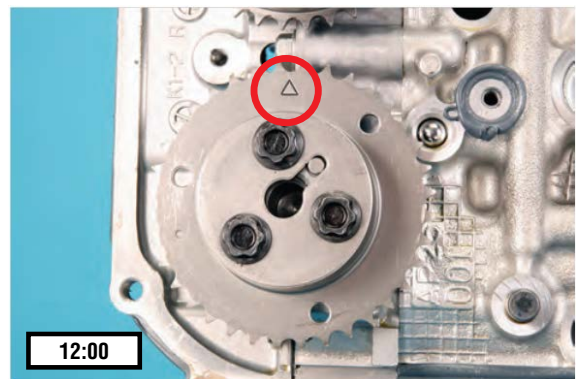
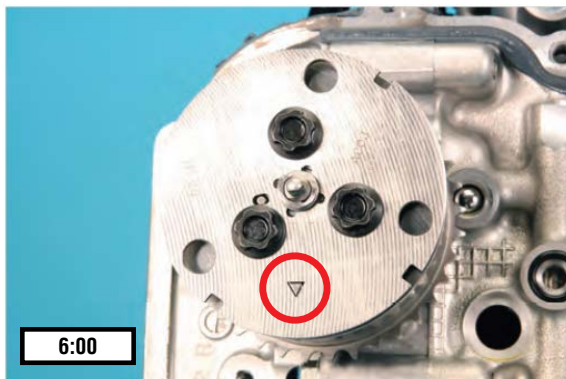
- If you have 3 notches showing, you want to get one more “click” so that 4 notches are visible as shown in the photos below. If you have 4 showing, you want to end up with 5. Whether you start with 3 or 4 will depend on the amount of wear present on the chains and guides. The number of clicks listed here is simply a guide. The point is to ensure proper initial chain tension is applied to avoid creating a brief rattle sound at engine start.



- If necessary, insert a plastic screwdriver handle between the lip of the block and the left side (B2) guide. Then, **VERY CAREFULLY** push down on the guide just enough to get the extra tensioner notch / “click”. When using this method, always make sure you are using plastic on plastic and NOT metal on plastic to avoid damaging the chain guides.

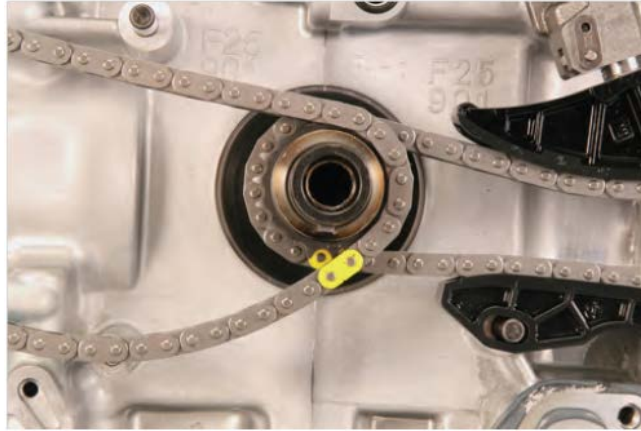


- Rotate the crankshaft **COUNTER-CLOCKWISE** until the crankshaft sprocket timing mark is at the 6:00 position. Position the cam sprocket timing marks as shown below; intake 6:00, exhaust 12:00.

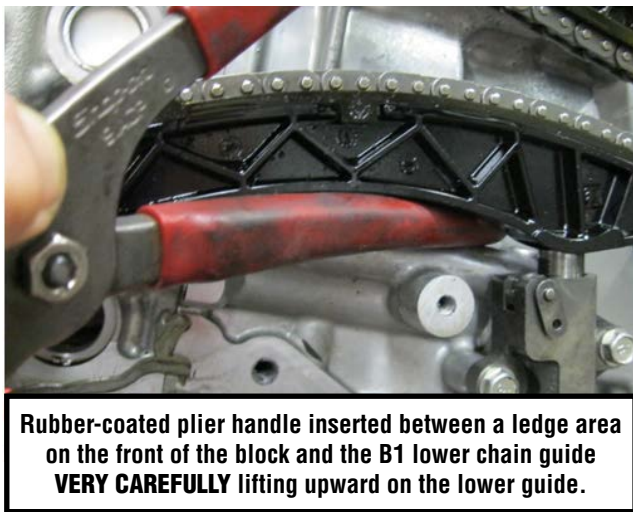


Continued...

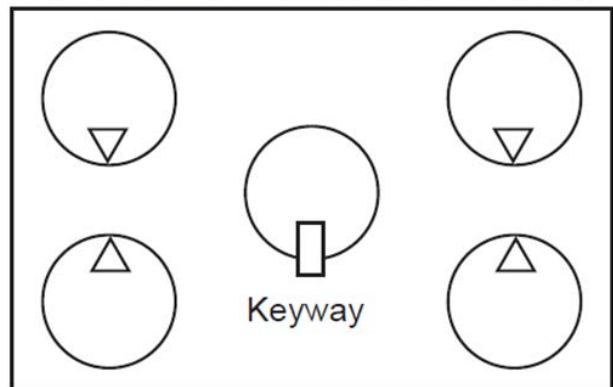
- Align the indicator link with the timing mark on the crankshaft sprocket as shown below.



- Same as the left side, align the indicator links to the timing marks found on the cam sprocket assemblies. Install the chain guides and tensioner. Once proper positioning has been confirmed, pull the pin to release the tensioner. With your hand, grab and squeeze the upper and lower left side chain / guides together to allow the plunger in the tensioner to extend fully and click into its furthest notch as shown in the previous (right side) photo. If necessary, insert a rubber-coated plier handle between the ledge area on the front of the block and the right side (B1) lower chain guide. Then, **VERY CAREFULLY** lift up on the guide just enough to get the extra “click” on the tensioner as shown in the photo below.

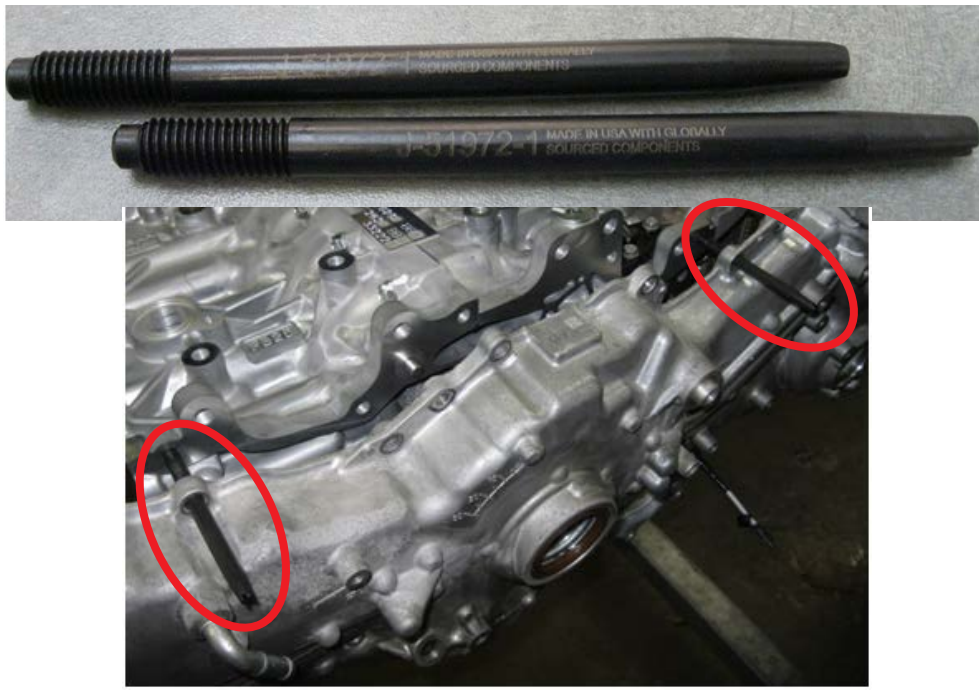


Final Assembly (Correct Timing)



- IMPORTANT:** When re-installing the front cover assembly, be very careful to not allow it to contact any of the timing sprockets. If contact does occur, it will most likely be with the exhaust sprockets and it is almost a guarantee the fresh silicone sealer beads applied to the cover will be disturbed. To minimize the possibility of this happening, alignment pins as shown in the photos below have been developed to “guide” the cover into its proper position without disturbing the fresh sealer. The Subaru Special Tool number for the alignment pin kit is J-51972. Each kit includes 2 pins.

Continued...



- If alignment pins are not used and the sealer gets disturbed during the cover installation, unless properly addressed, the affected area(s) will most likely be the source of an oil leak after reassembly. Don't hesitate to use a helper for the cover installation to prevent this from happening.
- **REMINDER:** When replacing the short block, in addition to transferring the crankshaft position sensor, be sure to index the reluctor properly onto the crankshaft as shown in the photos below. The reluctor is indexed by a dowel pin in the rear crankshaft flange which aligns with a corresponding hole in the reluctor. It is possible to install the reluctor without indexing it correctly. Failure to index the reluctor correctly will result in a no-start condition due to an out of time crank position signal to the ECM.
- Once the engine is back in the car and filled with fluids, remove the fuel pump fuse and crank the engine over (for no more than 10 seconds at a time) to prime the oiling system until the oil pressure warning light goes out. Re-install the fuel pump fuse then run the engine initially with the original oil filter left on the front cover for approximately 5 minutes to catch any other remaining debris. Check for any fluid leaks then install a new oil filter. Start the engine again and run it for another few minutes. Shut off the engine and allow it cool down for at least five minutes. Re-check and top off the engine oil to the full mark on the dipstick before releasing the vehicle.
- Be advised, some higher than expected oil consumption may occur initially following the shortblock replacement until the new piston rings become seated. While higher than expected normally, this oil consumption rate should not be as severe as verified prior to the repair. This will generally improve within 1000 miles of driving until the expected oil consumption rate is achieved.
- Complete the following procedure (where applicable) to conclude the repair procedure, even if no complaint of this condition has been indicated by the customer.

Continued...

SERVICE PROCEDURE TO REDUCE FALSE ILLUMINATION OF THE LOW OIL LEVEL WARNING LAMP (ON MODELS SO EQUIPPED)

Any repairs performed as part of this bulletin MUST include installation of the applicable ECM reprogramming file for Oil Level Detection and replacement of the oil level switch. Refer to the applicable TSBs as listed below:

- 11-145-14R for 2013-2014MY Legacy and Outback models
- 11-148-14R for 2014-15MY Forester models
- 11-149-14R for 2013-14MY Impreza 2.0L and XV Crosstrek models
- 11-150-14R for 2012MY 2.0L Impreza models

VERY IMPORTANT: If a vehicle is presented where no repairs for actual oil consumption are required but an oil consumption test was completed, **BOTH** the applicable ECM reprogramming file for Oil Level Detection **AND** the updated oil level switch **MUST** be installed before releasing the vehicle to the customer.

NOTES:

SOA now highly recommends connecting the Midtronics GR8 Diagnostic Battery Charger to the vehicle and utilizing the Power Supply Mode feature anytime a vehicle control module is being reprogrammed. Once the GR8 is connected to the vehicle, as long as the battery is fully charged, it takes less than 3 minutes to boot-up the charger, select the Power Supply Mode, and have the battery voltage stabilized and ready for reprogramming.

VERY IMPORTANT: This information is applicable to the Midtronics GR8 Diagnostic Battery Charger **ONLY**. It does not apply to any other brand / type of “generic” battery charger whatsoever. **ONLY** the GR8 and its Power Supply Mode feature has been tested and approved by Subaru of America, Inc. (SOA).

If the GR8 indicates the vehicle’s battery must be charged, charge the battery using the GR8 before proceeding to reprogram the vehicle while using the Power Supply Mode.

- Control module failures as a result of battery discharge during reprogramming are not a matter for warranty. Should any DTCs reset after the reprogramming update is performed, diagnose per the procedure outlined in the applicable Service Manual.

WARRANTY / CLAIM INFORMATION

Effective immediately through April 21, 2017, ALL affected vehicles, regardless of mileage and warranty start date will be covered for these repairs. All inspections and repairs must be completed prior to the April 21, 2017 expiration date of this Warranty Extension.

IMPORTANT: In the event a vehicle has exceeded 100,000 miles prior to April 21, 2017, please contact the Subaru Claims Team at: 1-866-782-2782 to register the mileage PRIOR to claim submission.

After April 21, 2017, this coverage extends the vehicle’s Powertrain Limited Warranty as it applies to excessive engine oil consumption to 8 years / 100,000 miles from the original warranty start date providing additional coverage for some vehicles. All inspections and repairs must be completed prior to expiration of this 8-year /100,000 Warranty Extension.

Please submit for reimbursement as you would any other covered repair using the claim coding below.

Continued...

For vehicles within the Basic New Car Limited and / or Powertrain Warranty period or covered by an active Subaru Added Security Powertrain, Classic or Gold plan, this repair may be submitted using the following claim information:

| LABOR DESCRIPTION | VEHICLE MODEL | LABOR OPERATION # | TRANSMISSION TYPE | LABOR TIME | FAIL CODE |
|---|---|-------------------|-------------------|------------|-----------|
| Oil Consumption Test Including: Oil and Filter Change, Oil Leak and PCV System Inspection | ALL | B295-308 | ALL | 0.5 | AFU-86 |
| Shortblock Replacement includes Oil Level Switch Replacement | 2011-2013MY Forester | B295-341 | 5MT | 11.5 | AFT-48 |
| | | | 4AT | 12.0 | |
| | 2014MY Forester | | CVT | 12.0 | |
| | | | 6MT | 11.6 | |
| | 2015MY Forester (MT ONLY) | | 6MT | 11.6 | |
| | 2013-2014MY Legacy & Outback | | 6MT | 11.5 | |
| | | | CVT | 12.0 | |
| | 2012-2013MY Impreza 2.0L & 2013MY XV Crosstrek 2.0L | | CVT | 11.1 | |
| 2014-2015MY Impreza 2.0L & XV Crosstrek 2.0L (MT ONLY) | 5MT | 10.8 | | | |
| Oil Consumption Test Completed, No Repair Required* | ALL | B295-303* | ALL | 0.2 | AFY-86 |
| Adjustment of Oil Level While Waiting for Repair Parts* | ALL | B245-232* | ALL | 0.2 | BAW-88 |
| ECM Reprogramming to prevent False Warning Lamp Illumination | ALL | C295-305** | ALL | 0.3 | AFZ-86 |

* 1 quart of motor oil (SOA635045) may be claimed with this labor operation.

** This labor operation may only be claimed **ONE TIME** in combination with **ONE** of the “B” operations listed above.

IMPORTANT REMINDERS:

- SOA strongly discourages the printing and/or local storage of service information as previously released information and electronic publications may be updated at any time.
- Always check for any open recalls or campaigns anytime a vehicle is in for servicing.
- Always refer to STIS for the latest service information before performing any repairs.

| | |
|--|--|
| <p>CAUTION: VEHICLE SERVICING PERFORMED BY UNTRAINED PERSONS COULD RESULT IN SERIOUS INJURY TO THOSE PERSONS OR TO OTHERS.</p> <p>Subaru Service Bulletins are intended for use by professional technicians ONLY. They are written to inform those technicians of conditions that may occur in some vehicles, or to provide information that could assist in the proper servicing of the vehicle. Properly trained technicians have the equipment, tools, safety instructions, and know-how to do the job correctly and safely. If a condition is described, DO NOT assume that this Service Bulletin applies to your vehicle, or that your vehicle will have that condition.</p> | <p>SUBARU OF AMERICA, INC. IS ISO 14001 COMPLIANT</p> <p>ISO 14001 is the international standard for excellence in Environmental Management Systems. Please recycle or dispose of automotive products in a manner that is friendly to our environment and in accordance with all local, state and federal laws and regulations.</p> |
|--|--|