

Date	Group	No.	Release	Page
5.2018	<b>261</b>	<b>040</b>	<b>01</b>	1(2)

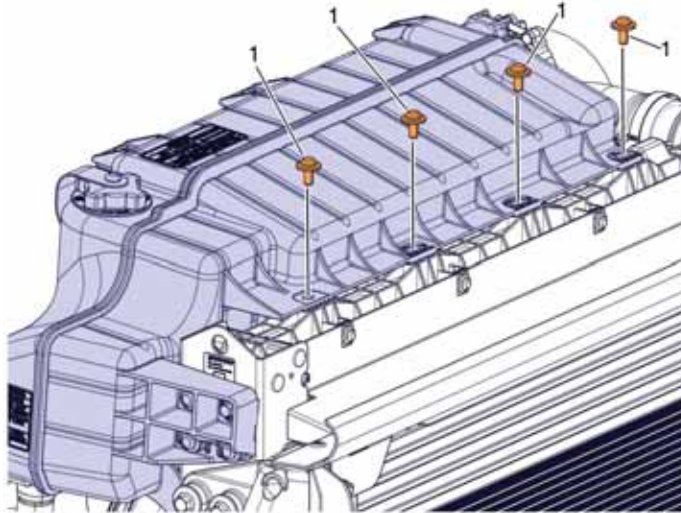
Expansion Tank, Installation  
VN, VHD, VAH

## **FSB 261-040, Expansion Tank, Installation**

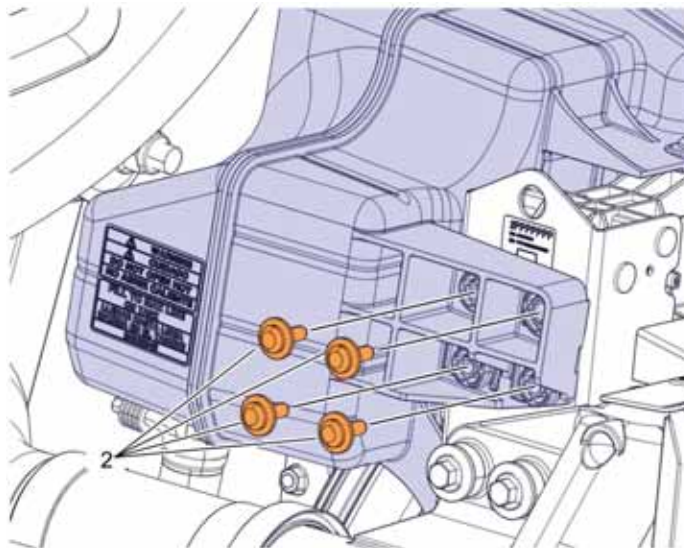
**(May 2018)**

The expansion tank mounting fasteners must be installed in the same position they were removed from. Failure to install M8\*20 mm, M8\*25 mm, and M8\*60 mm fasteners in the correct location could pierce the radiator and cause it to fail. Follow the fastener installation instructions outlined in this Field Service Bulletin (FSB).

## Expansion Tank Fastener Guide



W2134017



W2134015

Expansion Tank Fastener Guide			
Item	Description	Size	Qty
1	Flange Screw	M8* 20 mm	4
2	Flange Screw	M8* 25 mm	4