

Headlamp Harness, Repair  
 VN, VHD, VAH

**FSB 373-025, Headlamp Harness, Repair**

(May 2018)

On some Volvo VN trucks, the headlight harness may rub improperly as it is routed from the factory. This could possibly cause a short in the headlight harness and possibly improper function of the headlight. To re-route the harness, follow the directions below

Service personnel: Please circulate, read and initial

Service Manager	Warranty Administrator	Workshop Foreman	Service Technicians						

## Required Parts

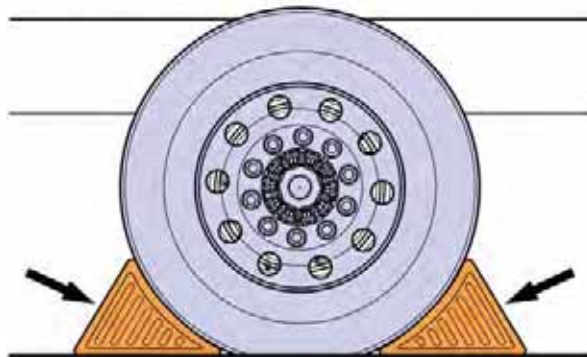
Part Number	Description	Quantity
980464	Cable Tie	3
1578046	Cable Tie	1
8081349	Retainer	1
984725	Flange Screw (M6 x 16)	1
990949	Flange Nut (M6 x 7.3)	1
3083128	Edge Protection	1

## Decommissioning the Truck for Repair

You must read and understand the precautions and guidelines in Service Information, group 30, "General Safety Practices, Electrical" before performing this procedure. If you are not properly trained and certified in this procedure, ask your supervisor for training before you perform it.

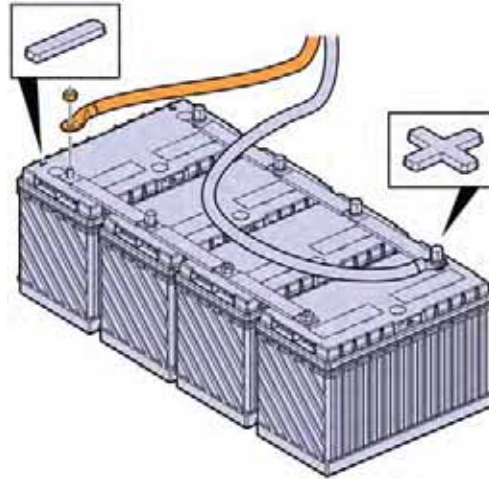
**NOTE:** Information is subject to change without notice. Illustrations are used for reference only and can differ slightly from the actual vehicle being serviced. However, key components addressed in this information are represented as accurately as possible.

- 1 Park the vehicle on a flat and level surface.
- 2 Apply the parking brake.
- 3 Place the transmission in neutral or park.
- 4 Install the wheel chocks.



W7086748

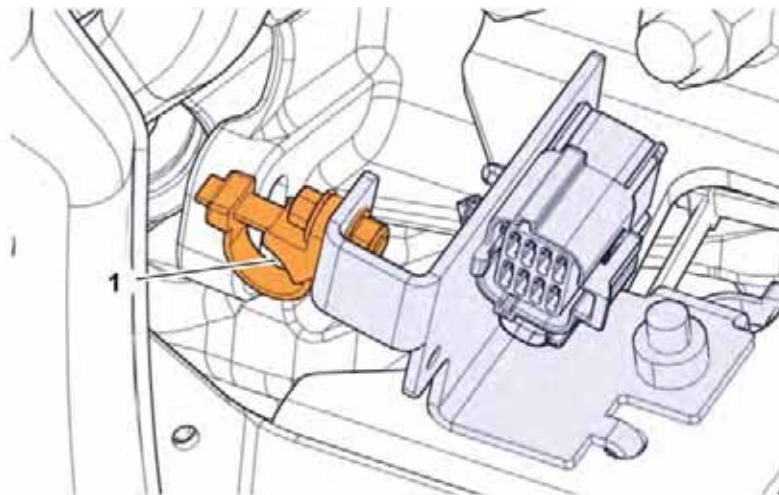
5 Disconnect the battery.



W3086747

### Repair Procedure

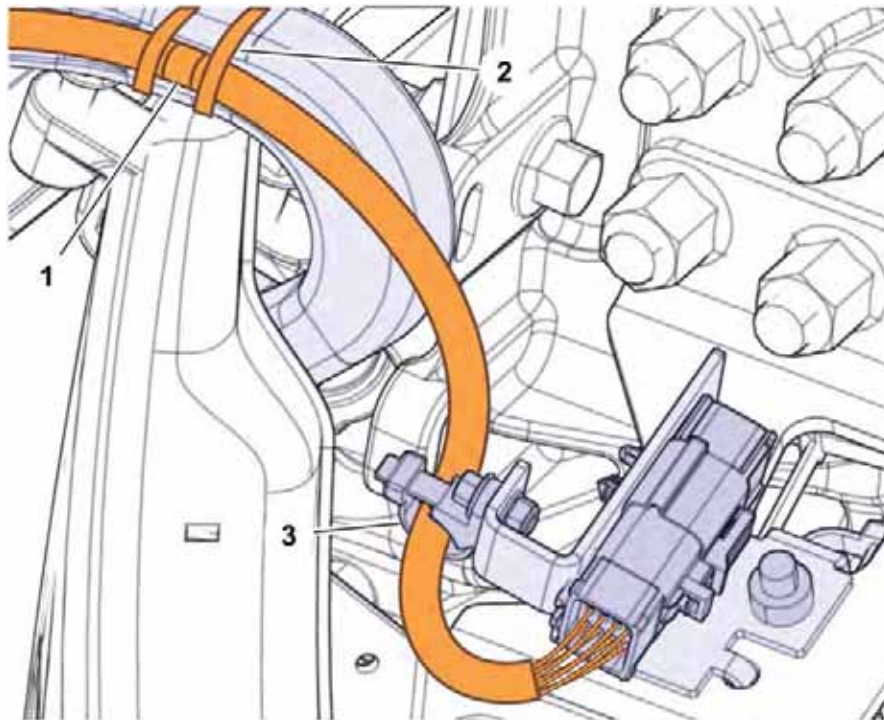
- 1 Remove the cable ties securing the headlamp harness to the J-bracket and connector bracket.
- 2 Inspect the harness for damage. If damage is found, repair or replace the harness as necessary.
- 3 Install the cable harness attachment retainer as shown. Be sure that the harness saddle is in the down position.



W3135505

Object	Part Number	Description
1.	8081349	Harness Retainer

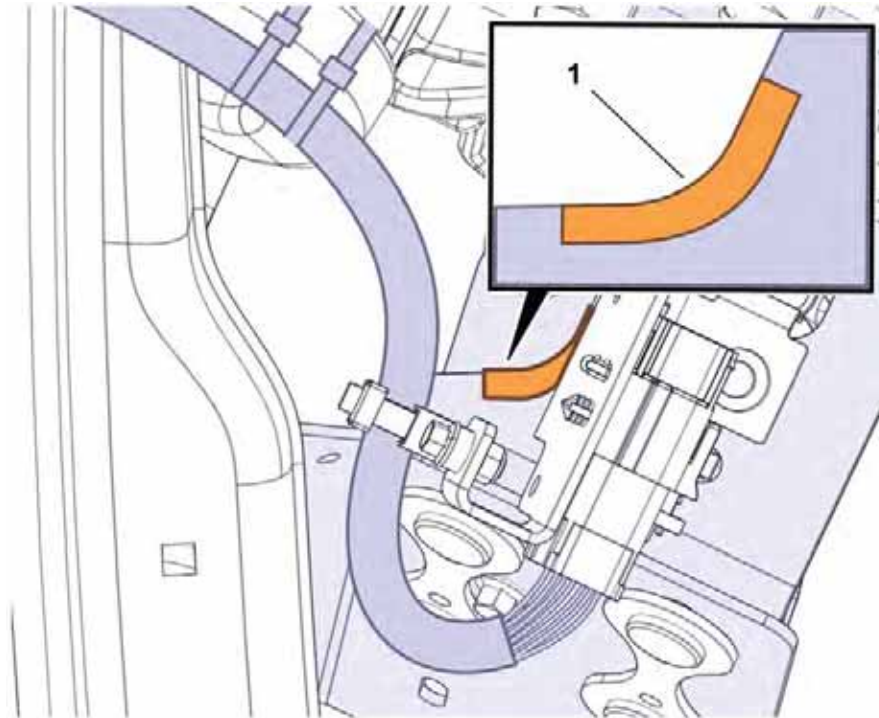
4 Route the harness accordingly.



W3135506

Object	Part Number	Description
1.	N/A	Yellow Harness Tape
2.	98464	Cable Tie
3.	1578046	Cable Tie

5 Install the edge protector.

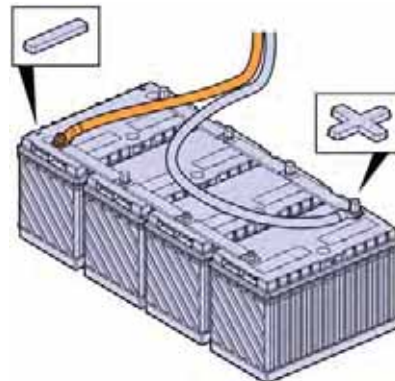


W3135540

Object	Part Number	Description
1.	3083128	Edge Protector

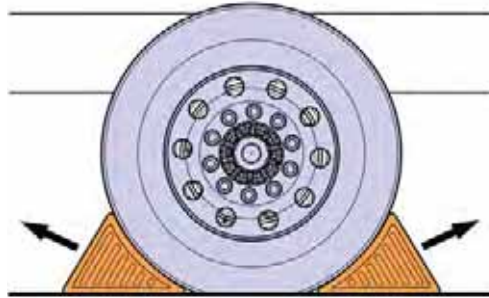
### Commissioning the Truck for Operation

1 Connect the battery cable to the negative (ground) terminal.



W3086758

2 Remove the wheel chocks.



W7086759

**Reimbursement**

<b>This repair may be eligible for reimbursement if a product failure was experienced within time and mileage limits of the applicable Warranty coverage. Reimbursement is obtained via the normal claim handling process.</b>	
<b>Claim Type (used only when uploading from the Dealer Bus. Sys.)</b>	W
<b>Labor Code</b>	
<b>Primary Labor Code</b> Headlamp Harness, Repair	3731-16-09-02 1.0 hrs
<b>Causal Part</b>	23016958

VOLVO Trucks North America reserves the right to make any changes in design or to make additions to or upon its products without incurring any obligations to install the same on vehicles previously built.