

FLA COE
FLB COE
FLD Conventional
Business Class

FLC 112 Conventional
Century Class Conventional
Argosy COE
Cargo

> Columbia
Coronado
Business Class M2

Freightliner
Service Bulletin

Description of Revision: *This bulletin replaces one dated February 2007. The damage code is corrected.*

General Information

There are field reports of surge tank shunt tube support brackets (P/N 05-20677-000) failing in Columbia vehicles with DDE Series 60 engines.

To prevent this problem, a new bracket (P/N 05-25856-000) is to be installed with a large fender washer (P/N 23-09012-014) and a new P-clamp (P/N 23-13028-001), as seen in **Fig. 1**.

Procedure

1. Park the vehicle on a level surface, apply the parking brake, shut down the engine, and chock the tires. Open the hood.
2. Remove the fastener that attaches the P-clamp to the surge tank shunt tube support bracket (see **Fig. 1**), and remove the P-clamp. This P-clamp is not reused.
3. Remove the fastener that attaches the surge tank shunt tube support bracket. The fastener is reused, the bracket is not.

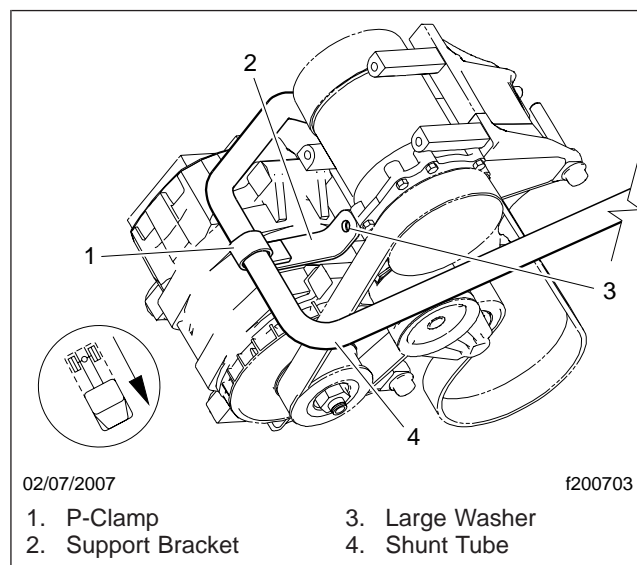


Fig. 1, Shunt Tube Bracket and P-Clamp

4. Using the original fastener with the new large fender washer under its head, install the new shunt tube support bracket.
5. Install the new P-clamp around the surge tank shunt tube, and install the fastener that attaches it to the support bracket.
6. Close the hood, and remove the chocks from the tires.

Freightliner Service Bulletin

FLA COE
FLB COE
FLD Conventional
Business Class

FLC 112 Conventional
Century Class Conventional
Argosy COE
Cargo

> Columbia
Coronado
Business Class M2

Warranty

Normal warranty applies. See [Table 1](#) for damage code and time guide information, and refer to this bulletin by number in the story of the claim.

Damage Code and Time Guide Information			
Damage Code	Operation Number	Description	Time: hours
267-000032130	267-5025A	Shunt Tube Bracket Broken, R/R	0.3

Table 1, Damage Code and Time Guide Information