

JTB00635NAS1

TECHNICAL BULLETIN

11 MAY 2018



© Jaguar Land Rover North America, LLC

NOTE: The information in Technical Bulletins is intended for use by trained, professional Technicians with the knowledge, tools, and equipment required to do the job properly and safely. It informs these Technicians of conditions that may occur on some vehicles, or provides information that could assist in proper vehicle service. The procedures should not be performed by 'do-it-yourselfers'. If you are not a Retailer, do not assume that a condition described affects your vehicle. Contact an authorized Jaguar service facility to determine whether this bulletin applies to a specific vehicle.

INFORMATION**SECTION:**

501-05: Interior Trim and Ornamentatio

SUBJECT/CONCERN:

Luggage Compartment Header Panel Trim

AFFECTED VEHICLE RANGE:

MODEL:	MODEL YEAR:	VIN:	ASSEMBLY PLANT:
XE (X760)	2017	921222-999999	Solihull
XE (X760)	2017 Onwards	P10168 Onwards	Castle Bromwich

MARKETS:

NORTH AMERICA

CONDITION SUMMARY:**SITUATION:**

A piece of trim may appear to be missing from the luggage compartment or the luggage compartment appears unfinished.

CAUSE:

This may be caused by the luggage compartment header panel trim not being originally considered a requirement.

ACTION:

Should a customer express this concern, follow the Workshop Procedure below.

PARTS: **NOTE:**

* - an allowance of \$5.20 USD or local equivalent has been provided to cover the cost of the double-sided self-adhesive foam. Claim using Sundry Code 'ZZZ001'.

PART NUMBER	DESCRIPTION	QUANTITY
T4N21674	Luggage compartment header trim	1
ZZZ001	Doubled-sided self-adhesive foam	\$5.20 USD or local equivalent

TOOLS:

Refer to Workshop Manual for any required special tools.

WARRANTY:**NOTE:**

* - an allowance of \$5.20 USD or local equivalent has been provided to cover the cost of the double-sided self-adhesive foam. Claim using Sundry Code 'ZZZ001'.

NOTES:

- Repair procedures are under constant review, and therefore times are subject to change; those quoted here must be taken as guidance only. Always refer to JLR claims submission system to obtain the latest repair time.
- The JLR Claims Submission System requires the use of causal part numbers. Labor only claims must show the causal part number with a quantity of zero.

DESCRIPTION	SRO	TIME (HOURS)	CONDITION CODE	CAUSAL PART
Luggage Compartment Header Panel Trim - Installation	76.96.72	0.1	39	T4N15656

NOTE:

Normal Warranty procedures apply.

NOTES:

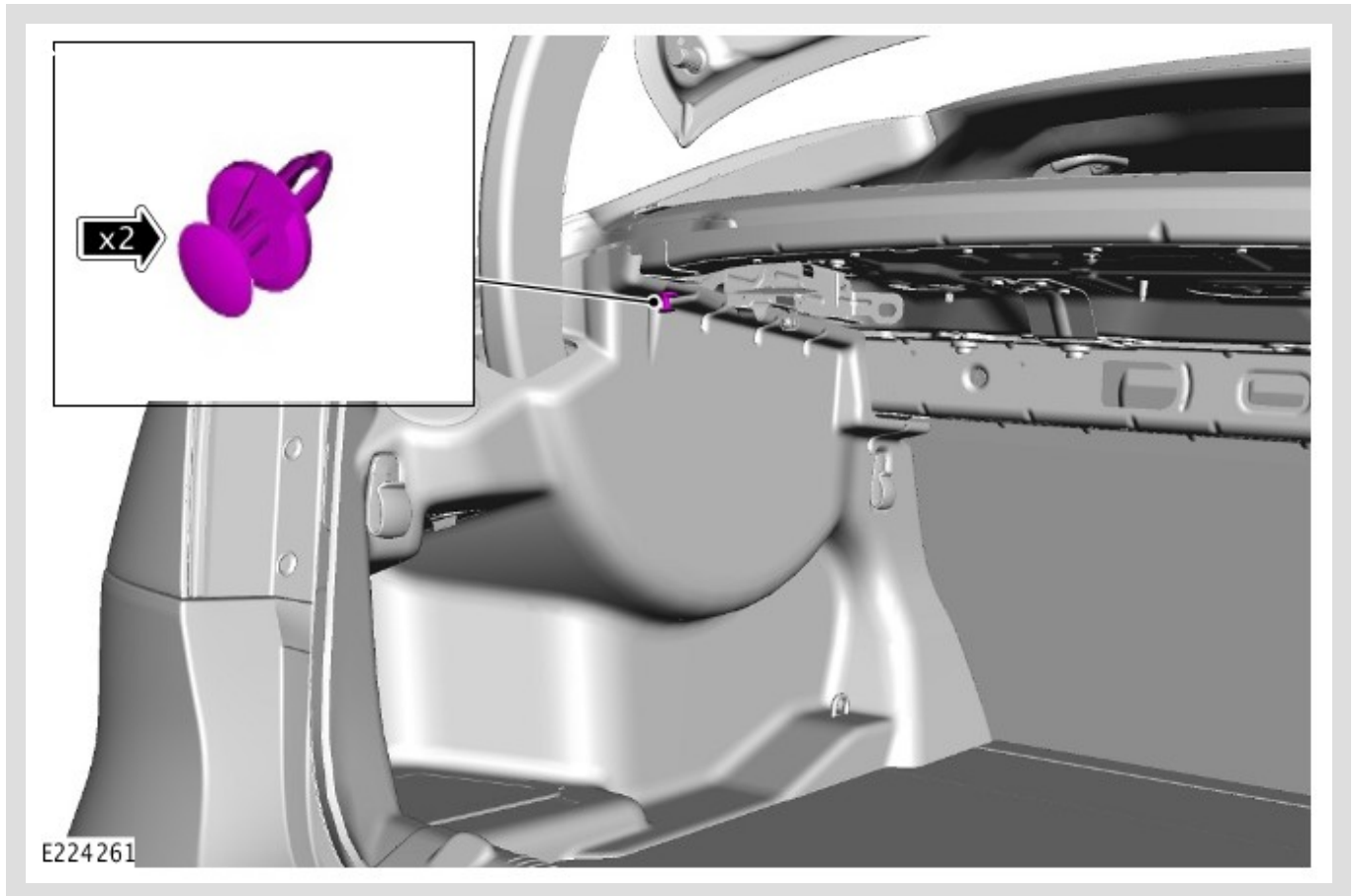
- This procedure contains some variation in the illustrations depending on the vehicle specification, but the essential information is always correct.
- This procedure contains illustrations showing certain components removed to provide extra clarity.

1 Open the luggage compartment lid.

2

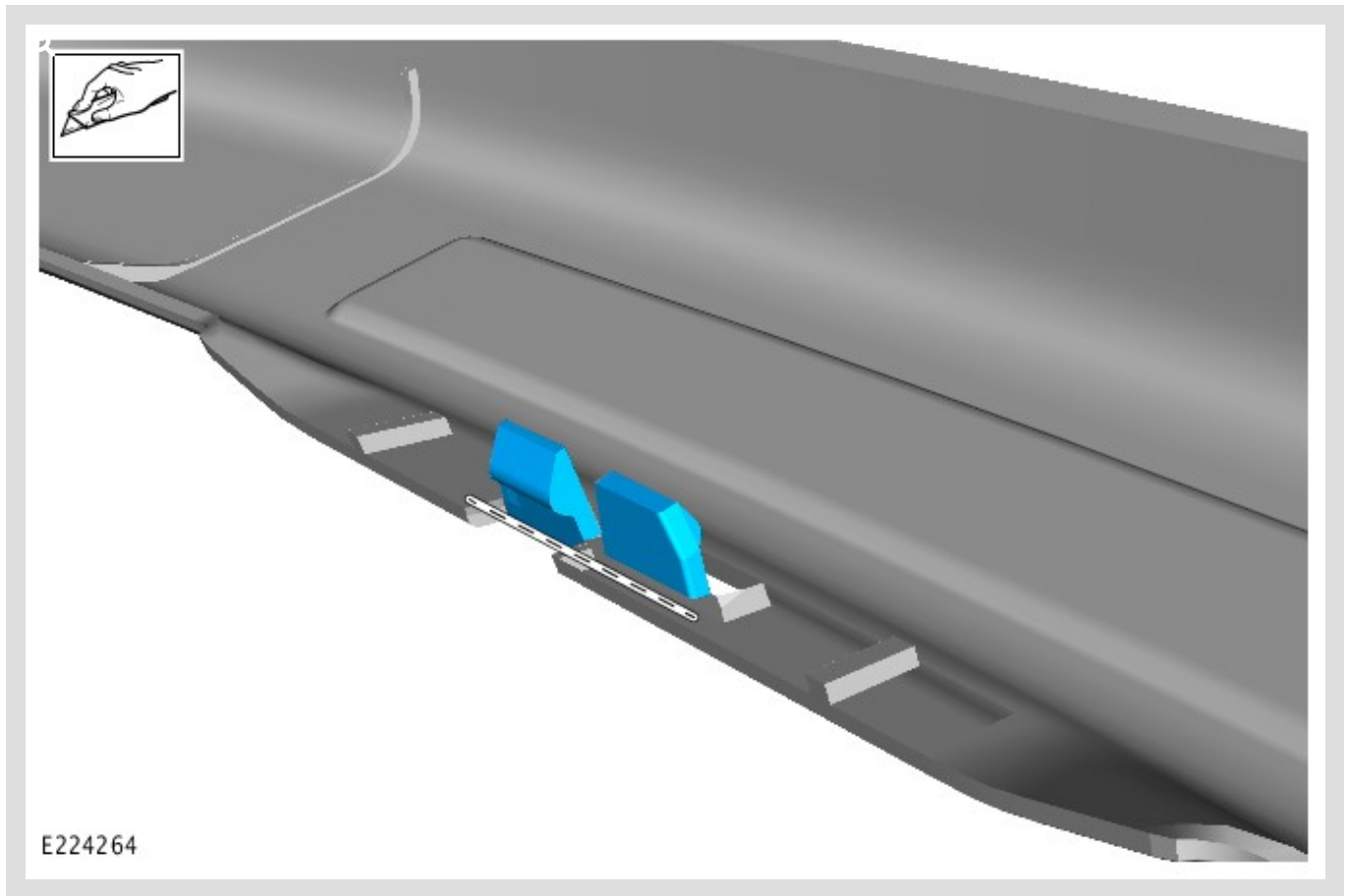
NOTE:

Repeat for both sides of the vehicle.



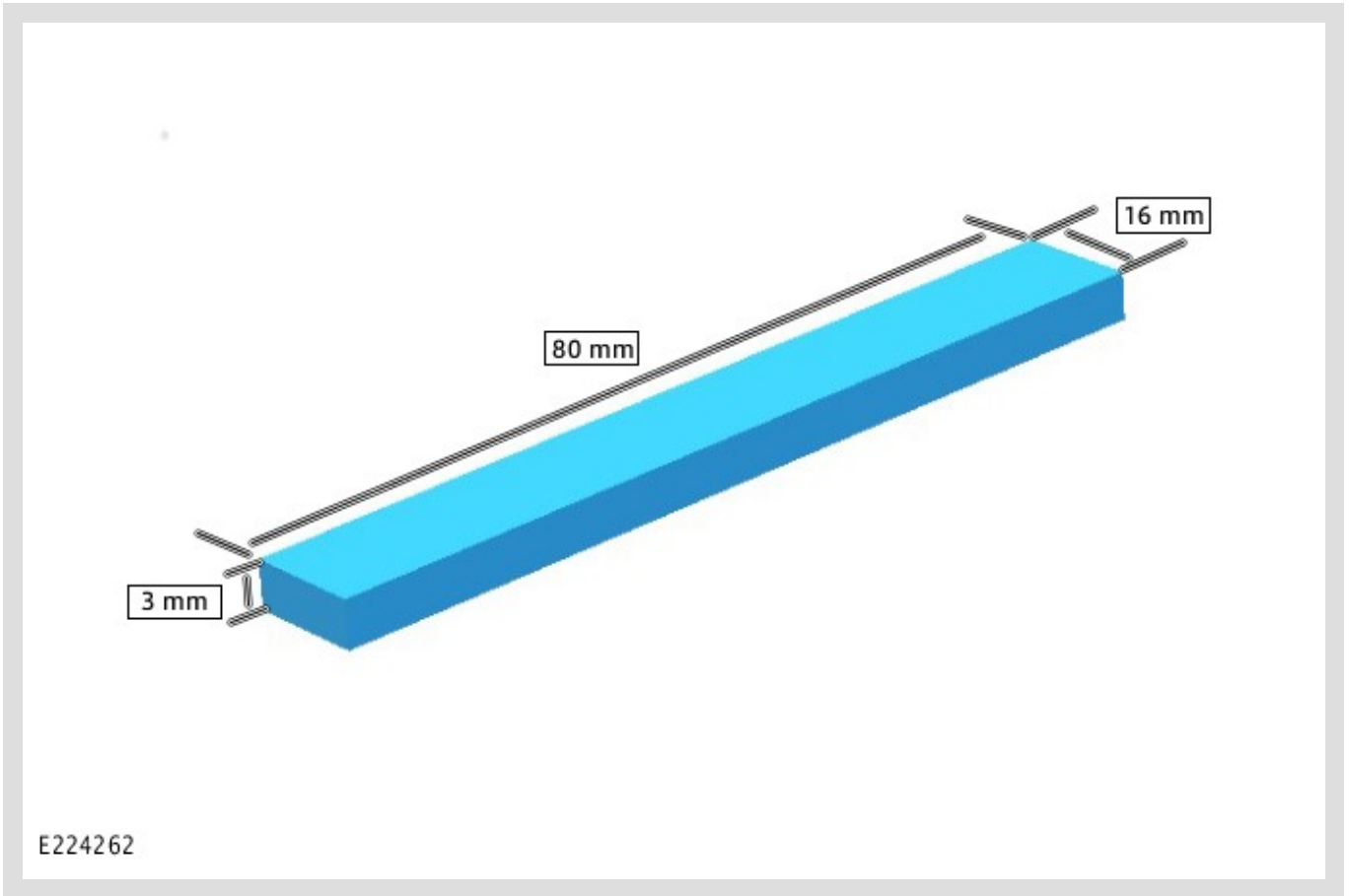
Remove the 2 luggage compartment trim panel retaining clip.

3



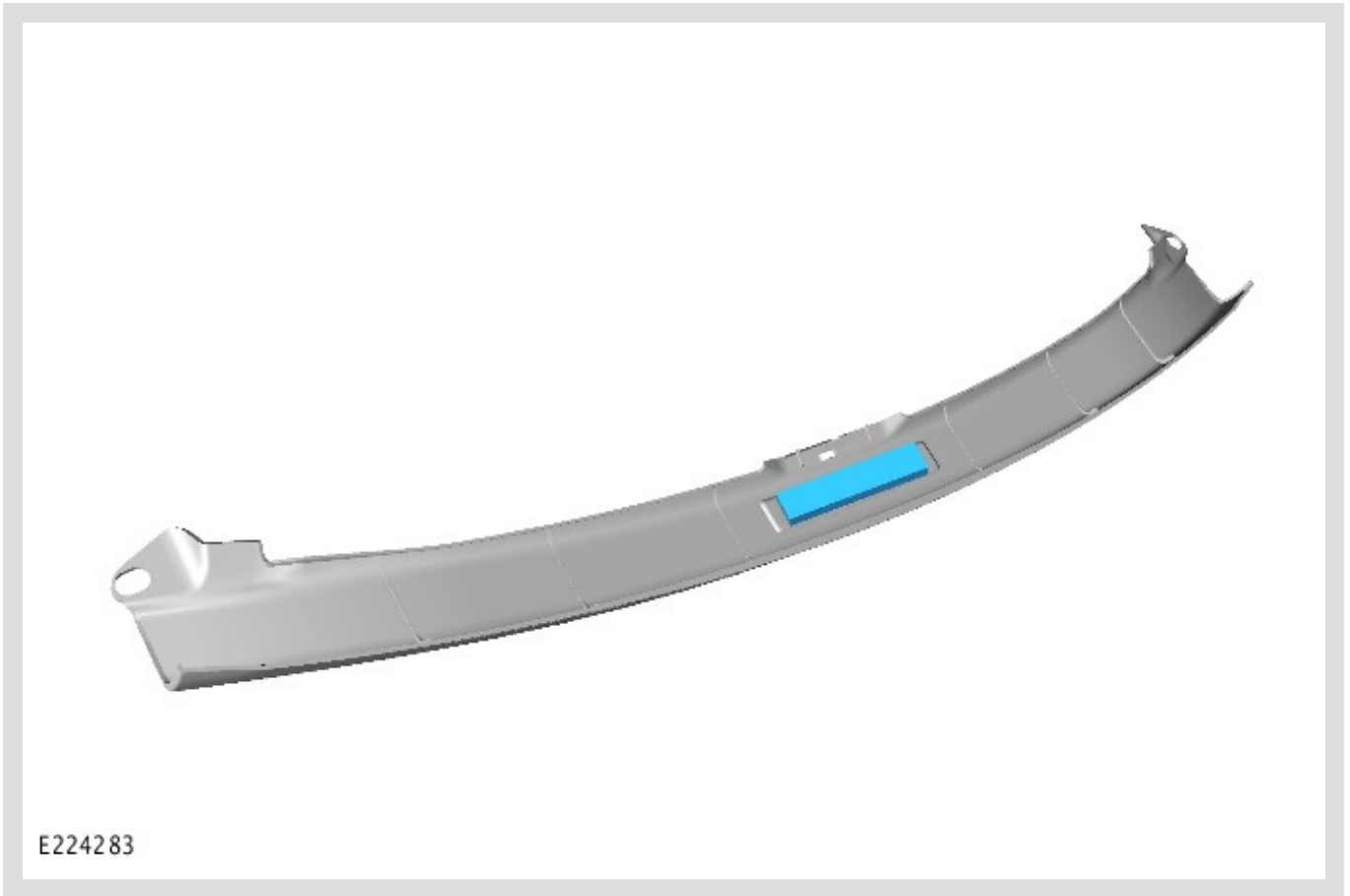
Use a suitable tool to cut the retaining clips from the luggage compartment header panel trim.

4



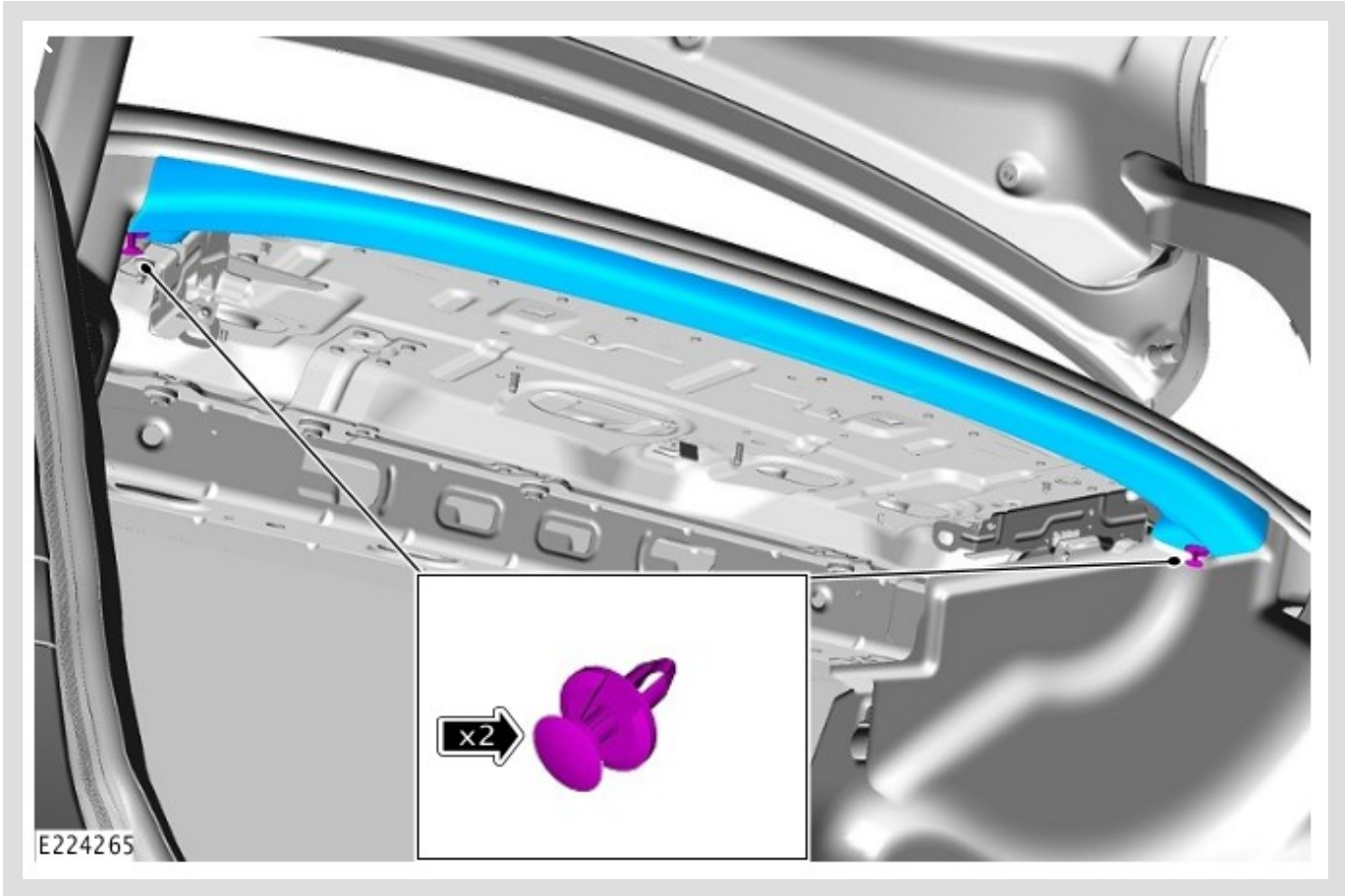
Measure and cut a suitable piece of double-sided self-adhesive foam to the dimensions shown.

5



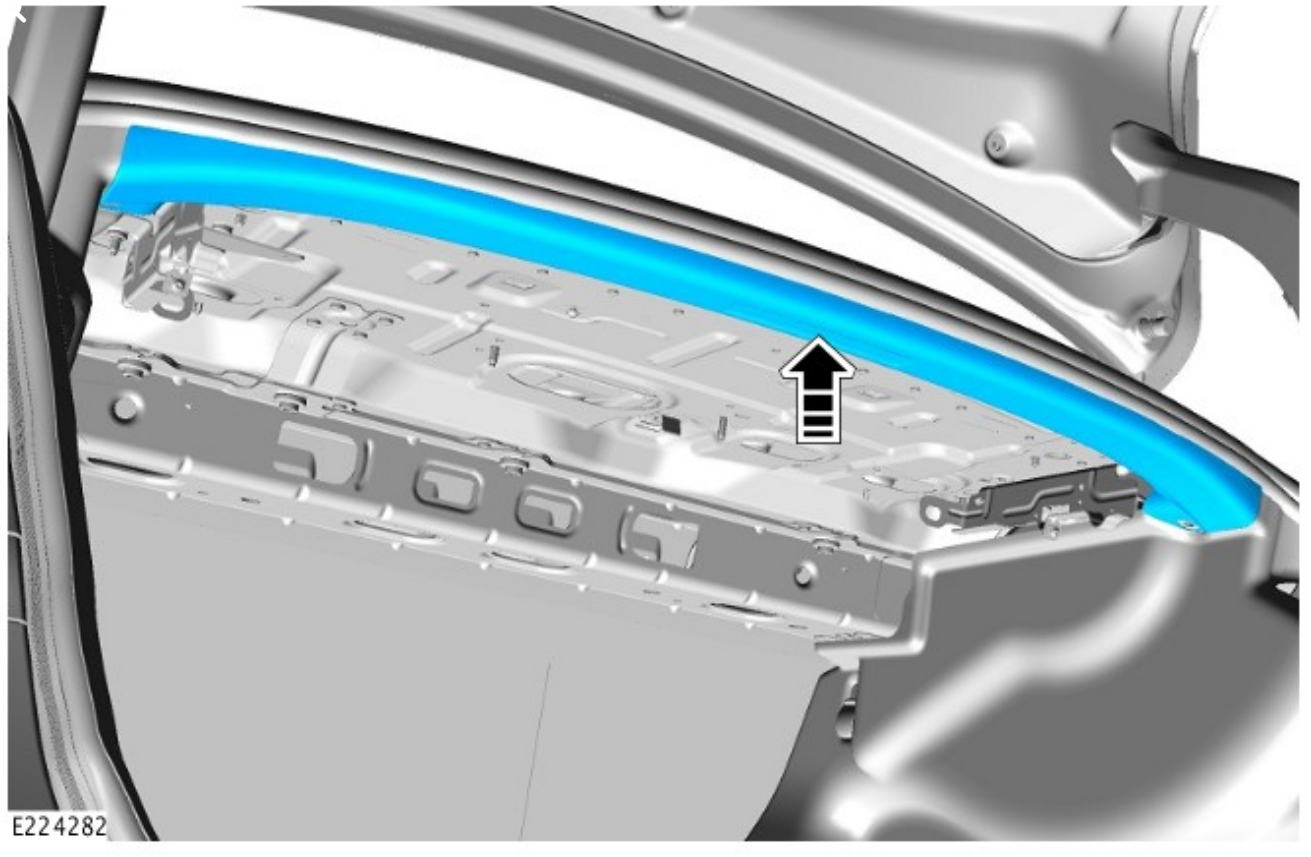
Install the double-sided self-adhesive foam to the luggage compartment header panel trim.

6



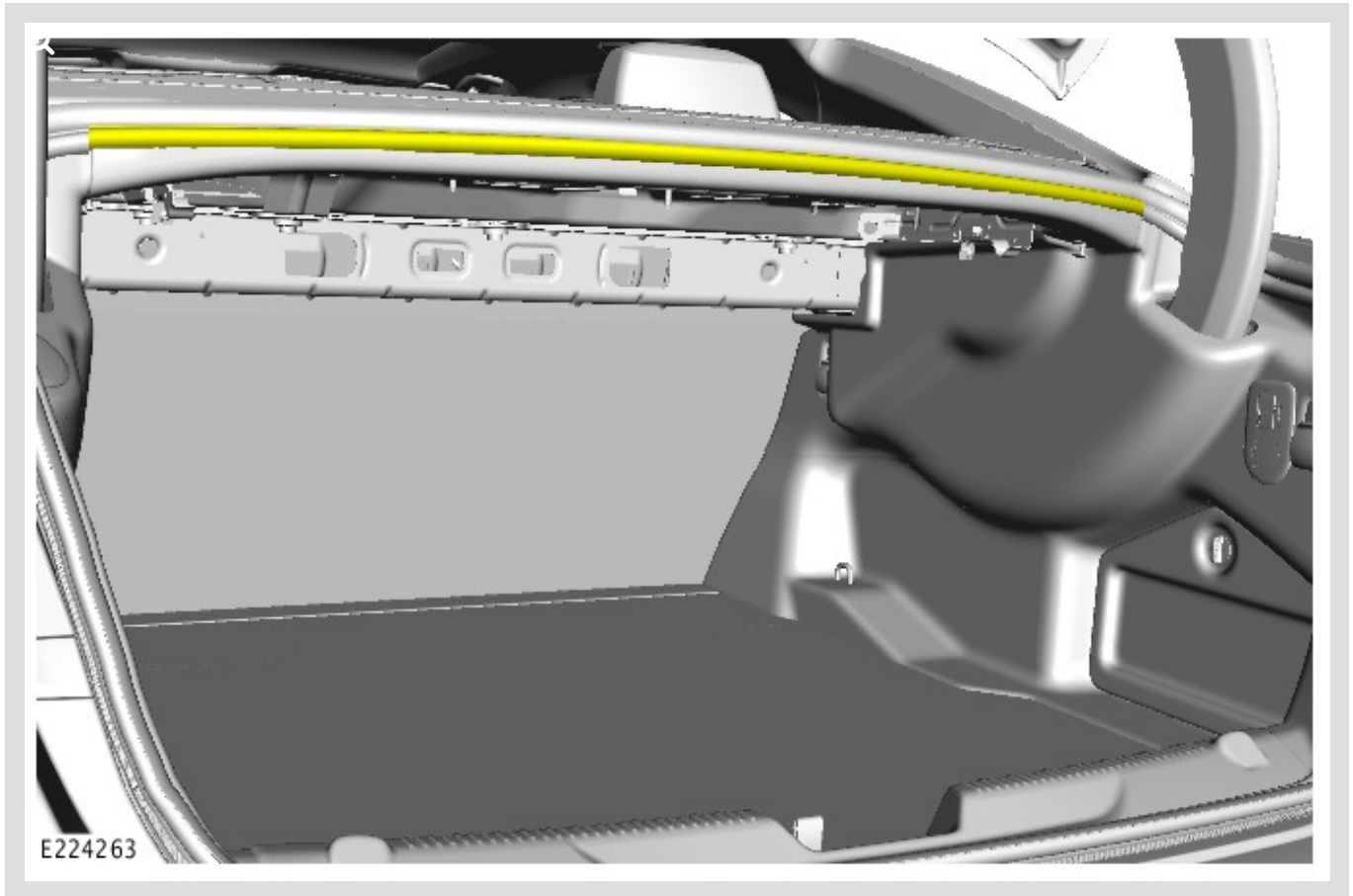
Install the luggage compartment header panel trim.

7



Apply firm pressure to the center of the luggage compartment header panel trim to make sure the self-adhesive foam has bonded.

8



Install the luggage compartment seal over the luggage compartment header panel trim.

9

Close the luggage compartment lid.