



Applies To: **2013 Odyssey** – ALL
2014 Odyssey – From VIN 5FNRL5H..EB000001 thru 5FNRL5H..EB029152

January 18, 2014

2013–14 Odyssey: MIL Comes On With DTC P0404

(Supersedes 13-095, dated November 12, 2013, to revise the information marked by the black bars)

REVISION SUMMARY

- Under Applies To, 2013 Odyssey was added, and the 2014 Odyssey VIN range was changed.
- Under SOFTWARE INFORMATION, 2013 Odyssey was added.

SYMPTOM

The MIL comes on with DTC P0404 (EGR valve circuit range/performance problem).

POSSIBLE CAUSE

During extended driving, the PCM may command excessively high lift EGR values that may damage an internal EGR component.

CORRECTIVE ACTION

Replace the EGR valve and update the PGM-FI software.

PARTS INFORMATION

EGR Valve Set (EGR valve and gasket):
P/N 18011-R70-A00

SOFTWARE INFORMATION

NOTE: Unnecessary or incorrect repairs resulting from a failure to update the HDS or MVCI are not covered under warranty.

2013 Odyssey

MVCI Control Module (CM) Update:
Application Version 3.01.36 **or later**
Database Update: 23-Oct-2013 **or later**

HDS Software Version:
3.012.005 **or later**

2014 Odyssey

MVCI Control Module (CM) Update:
Application Version 3.01.36 **or later**
Database Update: 25-Sept-2013 **or later**

HDS Software Version:
3.011.008 **or later**

Before beginning the repair, make sure that both the HDS and MVCI are updated as listed above.

Do only the update listed in this service bulletin.

Make sure the MVCI indicates the applicable program ID listed below (or a later program ID) as the **Recommended Update** when the update begins.

If the MVCI displays **This vehicle does not need an update at this time** during the update, the software for this service bulletin is already installed.

For more information about updating the HDS, the MVCI, and vehicle systems, refer to Service Bulletin 01-023, *Updating Control Units/Modules*.

| Year/Model | Program ID (or later) | Program P/N (or later) | System to Update |
|---------------------|-----------------------|------------------------|------------------|
| 2013 Odyssey (5A/T) | V0A580 | 37805-RV0-A58 | PGM-FI |
| 2013 Odyssey (6A/T) | V0A780 | 37805-RV0-A78 | PGM-FI |
| 2014 Odyssey (ALL) | V0A650 | 37805-RV0-A65 | PGM-FI |

WARRANTY CLAIM INFORMATION

The normal warranty applies.

Operation Number: 1211EX

Flat Rate Time: 0.4 hour

Failed Part: 18011-R70-A00

Defect Code: 03217

Symptom Code: 03203

Skill Level: Repair Technician

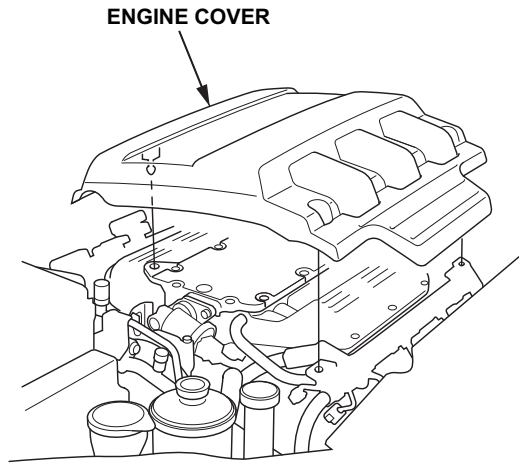
Template ID: 13-095A



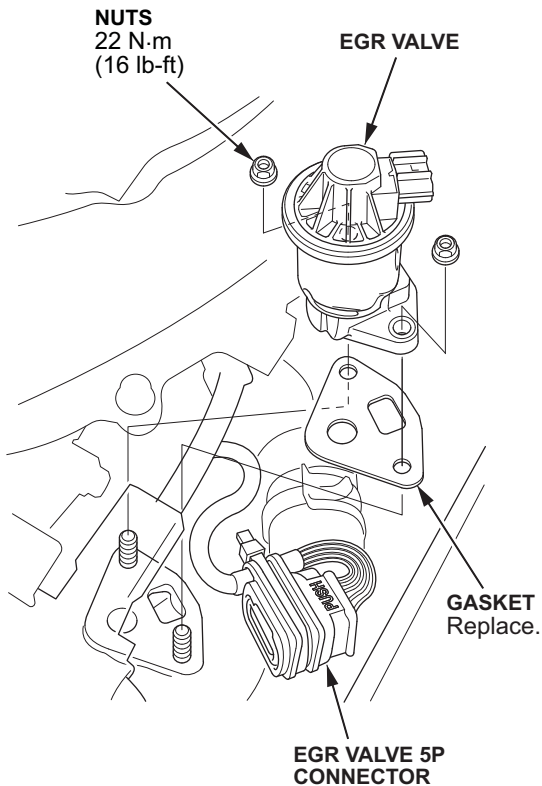
CUSTOMER INFORMATION: The information in this bulletin is intended for use only by skilled technicians who have the proper tools, equipment, and training to correctly and safely maintain your vehicle. These procedures should not be attempted by “do-it-yourselfers,” and you should not assume this bulletin applies to your vehicle, or that your vehicle has the condition described. To determine whether this information applies, contact an authorized Honda automobile dealer.

REPAIR PROCEDURE

1. Remove the engine cover.



2. Disconnect the EGR valve 5-pin connector.



3. Remove the EGR valve.
4. Install the new EGR valve in the reverse order of removal.
5. Update the PGM-FI software. Refer to Service Bulletin 01-023, *Updating Control Units/Modules*.