

Symptom In Vehicle Interior - Outside Temperature Display Implausible: Reworking wire harness for outside temperature sensor (SY 38/18)

Revisions: **Revision 1 — June 27, 2018**
Changes/additions:
 Part number corrected: 958.606.838.10

Model Year: **As of 2014 up to 2018**

Model Line: **Macan (95B)**

Subject: **Outside temperature sensor**

Symptom: **The outside temperature display shows implausible values.**

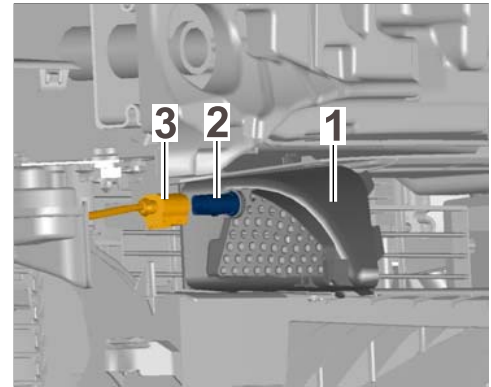
Cause: The outside temperature display can show implausible values because the wire harness for the outside temperature sensor is too long.

Remedial Action: In the event of a customer complaint, replace the outside temperature sensor and rework the the wire harness using a clamp and tie-wrap.

Date of Introduction: The branch of the wire harness is adapted during production from model year 2019 onwards.

Parts Info: **958.606.838.10 – NEW –** ⇒ Tie-wrap holder

- Work Procedure: 1 **Preliminary work:**
- 1.1 Remove front apron.
 ⇒ *Workshop Manual '631519 Removing and installing front apron'*
 - 1.2 Swivel flap of the air guide (right) ⇒ *Air guide flap (right) -1-* forward.



Air guide flap (right)



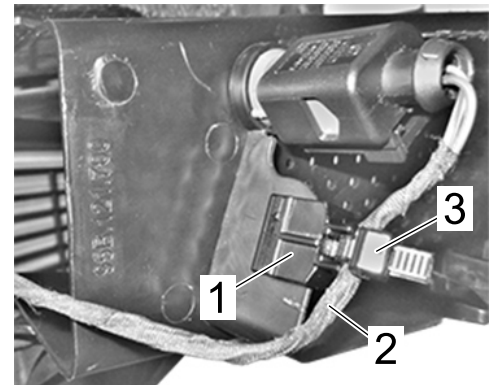
Information

In the event of a complaint, also replace the outside temperature sensor.

⇒ *Workshop Manual '916819 Removing and installing outside temperature sensor'*

2 Rework branch of wire harness for outside temperature sensor:

- 2.1 Secure tie-wrap holder ⇒ *Branch of wire harness for outside temperature sensor -1-* to the right flap of the air guide as shown.
- 2.2 Secure electric line ⇒ *Branch of wire harness for outside temperature sensor -2-* for the outside temperature sensor with a tie-wrap (958.606.838.10 – ⇒ *Branch of wire harness for outside temperature sensor -3-*).



Branch of wire harness for outside temperature sensor

3 Subsequent work:

- 3.1 Swivel flap of the air guide (right) back until it engages securely.
- 3.2 Install front apron.

⇒ *Workshop Manual '631519 Removing and installing front apron'*

End of action required.

Invoicing: The work involved is invoiced under the labor operation:

APOS	Labor operation	I No.
91684900	Reworking outside temperature sensor	

For invoicing and documentation using PQIS, enter the following coding:

Location (FES5)	91680	Outside temperature sensor
Damage type (SA4)	1613	Does not work at times

- References: ⇒ *Workshop Manual '631519 Removing and installing front apron'*
 ⇒ *Workshop Manual '916819 Removing and installing outside temperature sensor'*

Important Notice: Technical Bulletins issued by Porsche Cars North America, Inc. are intended only for use by professional automotive technicians who have attended Porsche service training courses. They are written to inform those technicians of conditions that may occur on some Porsche vehicles, or to provide information that could assist in the proper servicing of a vehicle. Porsche special tools may be necessary in order to perform certain operations identified in these bulletins. Use of tools and procedures other than those Porsche recommends in these bulletins may be detrimental to the safe operation of your vehicle, and may endanger the people working on it. Properly trained Porsche technicians have the equipment, tools, safety instructions, and know-how to do the job properly and safely. Part numbers listed in these bulletins are for reference only. The work procedures updated electronically in the Porsche PIWIS diagnostic and testing device take precedence and, in the event of a discrepancy, the work procedures in the PIWIS Tester are the ones that must be followed.

© 2018 Porsche Cars North America, Inc.