



Procedure for final drive chain tension on Panigale V4 Panigale V4 Model Year 2018 (all model versions) Service Repair Bulletin SRV-TTB-18-003

Date: June 05, 2018
To: Dealer Principal, General Manager, Service Manager, North American Dealer Network
From: Richard Kenton, Technical Director
Eric Bradley, Technical Training and Publications Manager

Dear Dealers,

Difficulties have been reported with tensioning of the final drive chain for the 2018 Panigale V4 models. In rare cases, parts of the chain could abnormally extend, preventing accurate tensioning.

We have also found that sometimes it is necessary for the final drive chain to be adjusted during the first 1,000 km. Therefore, we suggest that you raise awareness among your customers to regularly monitor chain tension.

As a reminder, the eccentric for final drive chain adjustment is reversed compared to the standard 1299 Panigale models. For the Panigale V4 models the eccentric rotation direction to tension the chain is clockwise as viewed from the left side of the bike.



Directions to Check final drive chain proper tensioning for model Panigale V4

A series of 4 measurements will be taken of the distance between the pin center of the chain and the chain sliding shoe. Use the following table to record the 4 successive measurement values.

Measurement	Distance (A)
1	(mm)
2	(mm)
3	(mm)
4	(mm)

1.0 Turn engine and ignition off and set gear to neutral

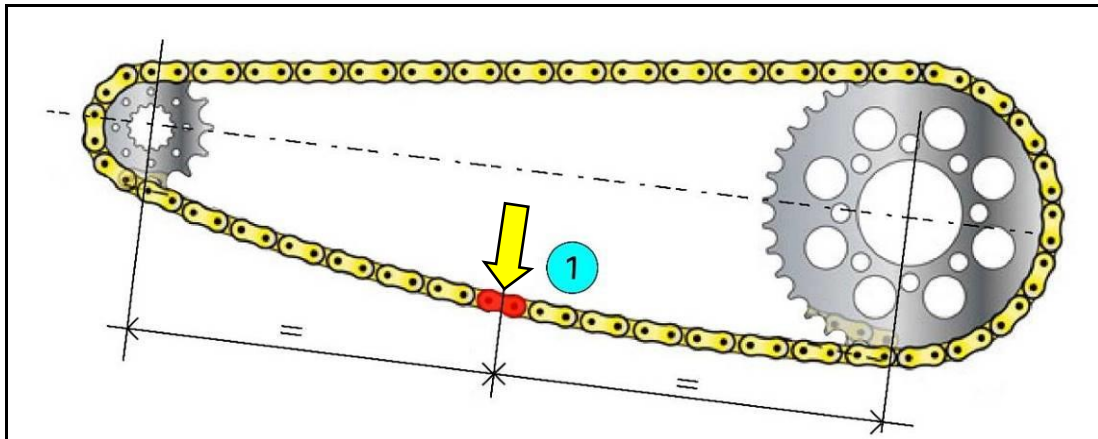
2.0 Position the bike on the rear paddock stand



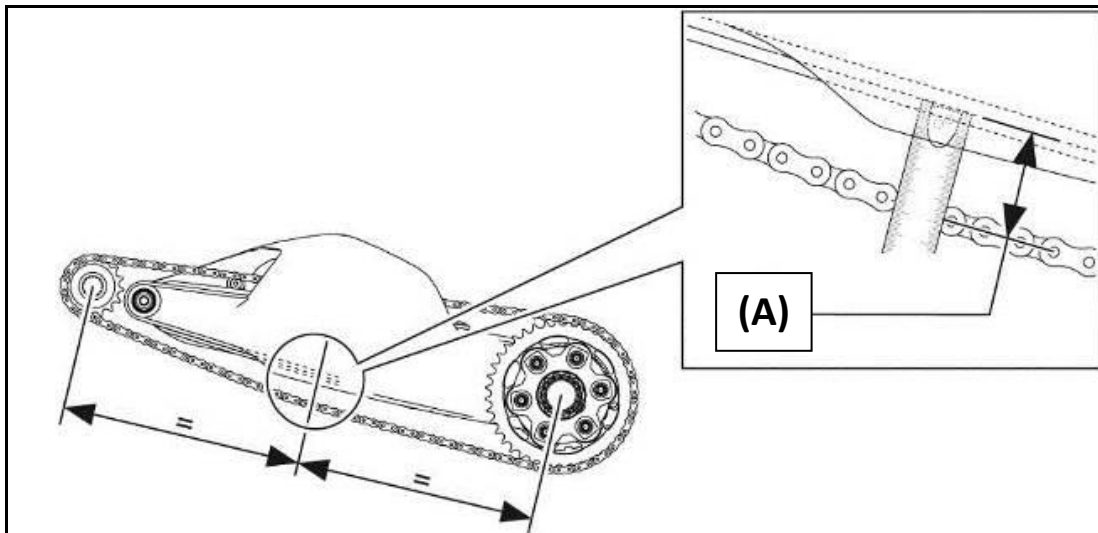
Procedure for final drive chain tension on Panigale V4

Panigale V4 Model Year 2018 (all model versions)
Service Repair Bulletin SRV-TTB-18-003

- 3.0 Find junction link and place it to the position corresponding to point **(1)** as shown in the figure
- A. With a finger, push down the chain at the point of measurement indicated by the arrow and then release



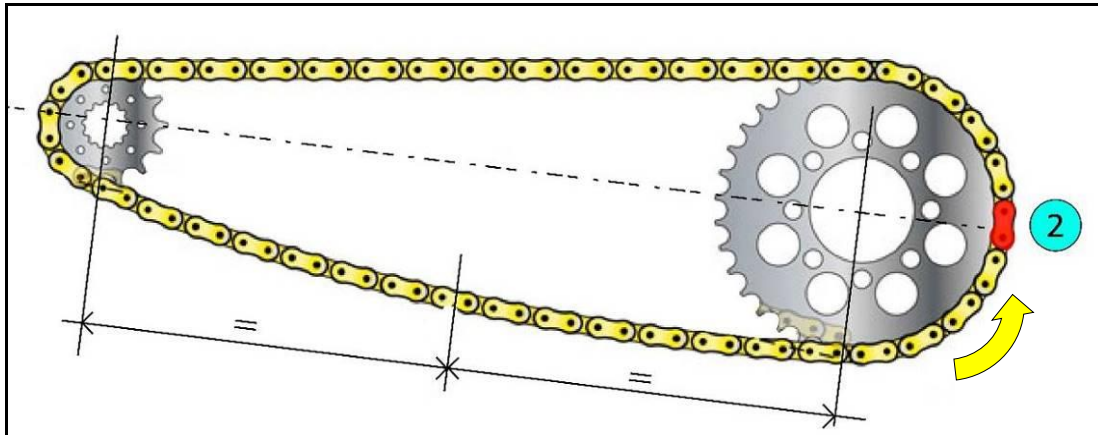
- B. Measure “Distance (A)” between the pin center of the chain and the chain sliding shoe and write the value measured in the table



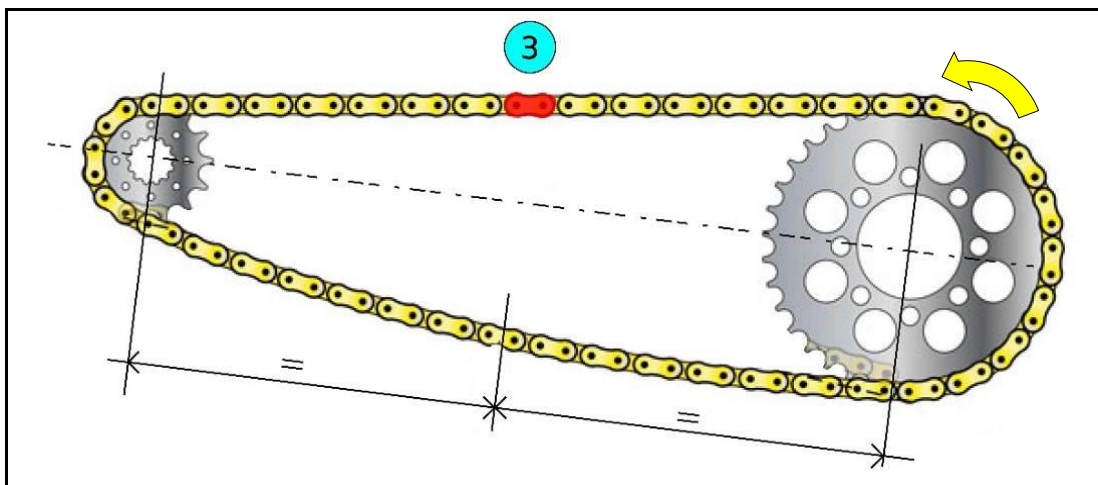


Procedure for final drive chain tension on Panigale V4 Panigale V4 Model Year 2018 (all model versions) Service Repair Bulletin SRV-TTB-18-003

- 4.0 Turn the rear wheel counter clockwise so that the junction link is placed to the position corresponding to point **(2)** as shown in the figure



- 5.0 Repeat the procedure explained from steps 3.1 to 3.2 and write the second measured value in the table
- 6.0 Turn the rear wheel counter clockwise so that the junction link is placed to the position corresponding to point **(3)** as shown in the figure

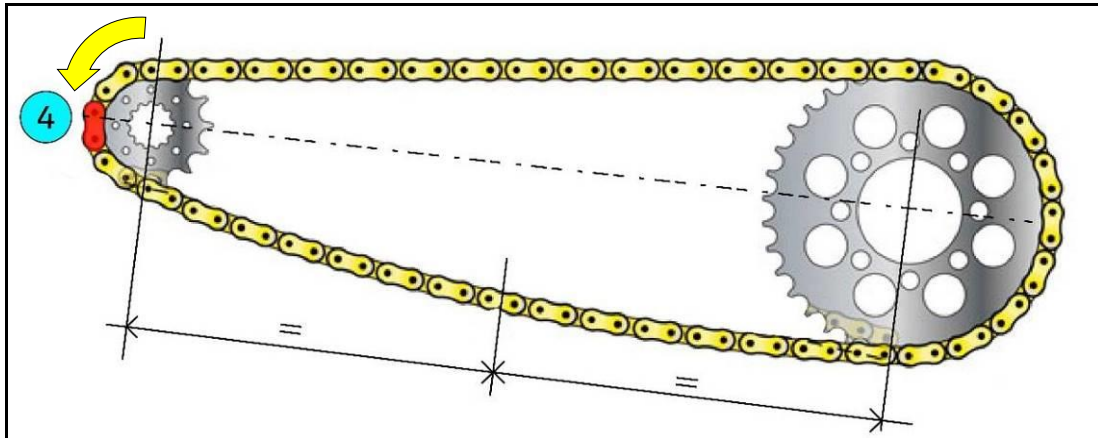


- 7.0 Repeat the procedure explained from steps 3.1 to 3.2 and write the second measured value in the table



Procedure for final drive chain tension on Panigale V4 Panigale V4 Model Year 2018 (all model versions) Service Repair Bulletin SRV-TTB-18-003

- 8.0** Turn the rear wheel counter clockwise so that the junction link is placed to the position corresponding to point (4) as shown in the figure



- 9.0** Repeat the procedure explained from steps **3.1** to **3.2** and write the second measured value in the table

- 10.0** From the table determine the greatest and the smallest of the 4 values for “**Distance (A)**”

A. If the value is ≤ 20 mm: proceed to step **11.0**

B. If the value is > 20 mm: proceed to step **12.0**

- 11.0** For measurement differences of ≤ 20 mm: proceed with final drive chain tensioning following the instructions below:

11.1 Based on the values shown in the table, turn the back wheel and place the junction link to the point where the “**Distance (A)**” minimum value has been measured

11.2 Remove the rear paddock stand and position the bike on the side stand

11.3 Push down the chain at the point of measurement and then release it

11.4 The measured distance between the pin center of the chain and the chain sliding shoe must be between $23 \div 25$ mm

11.5 If drive chain is too tight or slack, adjust tension to bring values back to the specified range as per the Workshop Manual instructions with tool **887133211 Eccentric Hub Adjusting Wrench**



NOTE

Final drive chain maximum tension value for model Panigale V4 must be measured while the bike is positioned on its side stand without any load

- 12.0** For measurement differences of > 20 mm: submit a YouTech service request and attach the measurement table with the 4 values referring to the “**Distance (A)**” between the pin center of the chain and the chain sliding shoe