



Technical Service Bulletin

SUBJECT:			No: TSB-18-00-008
NEW MODEL FEATURES & SERVICE INFORMATION - 2019 OUTLANDER			DATE: July 2018
			MODEL: 2019 Outlander
CIRCULATE TO:	<input type="checkbox"/> GENERAL MANAGER	<input checked="" type="checkbox"/> PARTS MANAGER	<input checked="" type="checkbox"/> TECHNICIAN
<input checked="" type="checkbox"/> SERVICE ADVISOR	<input checked="" type="checkbox"/> SERVICE MANAGER	<input checked="" type="checkbox"/> WARRANTY PROCESSOR	<input checked="" type="checkbox"/> SALES MANAGER

PURPOSE



This bulletin contains important new model service information and features for the **2019 Outlander** (U.S. models only). Review the details that follow to familiarize yourself regarding new features and options. Refer to the 2019 Outlander Service Manual on MEDIC, MDL, or CD (p/n MSCD-007B-2019), and the Owner's Manual for details on these and other features.

AFFECTED VEHICLES

2019 Outlander

U.S. MODEL LINEUP

MODEL	ENGINE	TRANSMISSION
ES (2WD / AWC)	4J12 - 2.4L SOHC MIVEC 16V 4 cyl.	CVT
SE (2WD / S-AWC)		
SEL (2WD / S-AWC)		
GT (S-AWC)	6B31 - 3.0L SOHC MIVEC 24V 6 cyl.	6 spd. A/T w/shift paddles

SERVICE INFORMATION

See TSB-18-00-007 for 2019 Outlander Technical Specifications.

NEW FEATURE HIGHLIGHTS

EXTERIOR

Paint color name change: Diamond White Pearl is now "Pearl White"

New front grille and headlamp design

New lower bumper extension (front and rear)

LED high beam headlights

New wheel design

COMMENTS

Available for all 2019 Outlander

All 2019 Outlander models

All 2019 Outlander models

Standard on GT, available on SEL Premium & Touring packages

All 2019 Outlander models

INTERIOR

New front seat design, w/more support and comfort

8-way power adjustable front seats (driver and passenger)

Heated front seats

Enhanced quality interior panel and door trim accents

Combination soft-touch seats

New leather-appointed seats

COMMENTS

All 2019 Outlander models

Standard on SE, SEL, and GT (passenger side added)

Now standard on ES (already standard on SE, SEL, GT)

Standard on SE and SEL

Standard on SE

Standard on SEL and GT

CONVENIENCE

New window switch illumination on all doors

Auto up/down switches for all windows (driver door)

New rear seat A/C vents

Rear USB port (single)

Front USB port (single) relocated to front lower dash

Center console tray

New S-AWC display graphic

COMMENTS

All 2019 Outlander models

All 2019 Outlander models

All 2019 Outlander models

Standard on SE, SEL, and GT

All 2019 Outlander models (SE, SEL, and GT now have single front and rear ports)

Standard on 2WD models (all ES, 2WD SE and SEL)

Standard on SE, SEL, GT with S-AWC

SAFETY & SECURITY

Electric parking brake w/auto hold

COMMENTS

Standard on 2WD models (all ES, 2WD SE and SEL)

Tire repair kit

All 2019 Outlander models (spare tire eliminated, available as dealer option)

Blind Spot Warning (BSW) with Rear Cross Traffic Alert (RCTA) and Lane Change Assist (LCA)

Available option for SE as part of the SE Convenience Package

VEHICLE DYNAMICS

Exhaust system changes reduce engine, cabin noise

COMMENTS

All 2019 Outlander models

Improved stability, ride comfort, and handling

All 2019 Outlander models

Increased body rigidity

All 2019 Outlander models

EXTERIOR



Paint Color Name Change

Diamond White Pearl is now called "Pearl White" available for all 2019 Outlander models.

NOTE: This is a name change only.



New Front Grille and Bumper Design

(all 2019 Outlander)

- Upper grille has been redesigned with a new look, including characteristic honeycomb mesh.
- New lower bumper extension and skid guard with chrome accent.

EXTERIOR (continued)



New Headlight Design

Redesigned headlights, with a more angled look, are standard on all 2019 Outlander models.

LED High and Low Beam Headlights

LED high beams have been added to LED low beam headlights. Both are now standard on GT, and available for SEL in the Premium and Touring packages.



New Rear Bumper Extension

A redesigned bumper extension is standard on all 2019 Outlander models.



New 18-inch Wheel Design

The 18-inch 2-tone alloy wheels, standard on all 2019 Outlander models, have been redesigned with a bold new look.

INTERIOR



New Front Seat Design

The front driver and passenger seats on all 2019 Outlander models have been redesigned with larger support bolsters to provide more support and comfort.



8-Way Power Adjustable Front Seats

Now standard on SE, SEL, and GT are 8-way power adjustable front passenger seats (8-way power adjustable driver seat is already standard on SE, SEL, and GT).



Heated Front Seats

Now standard on ES are heated front seats (already standard for SE, SEL, and GT).

INTERIOR (continued)



Enhanced Interior Trim & Seats

Interior appointments have been enhanced and are now standard for the following models:

ES: Fabric seats, gloss black instrument and accent panels.

SE: Combination soft-touch seats, gloss black instrument and accent panels with silver pinstripe, soft-touch door armrest, trim panel insert.

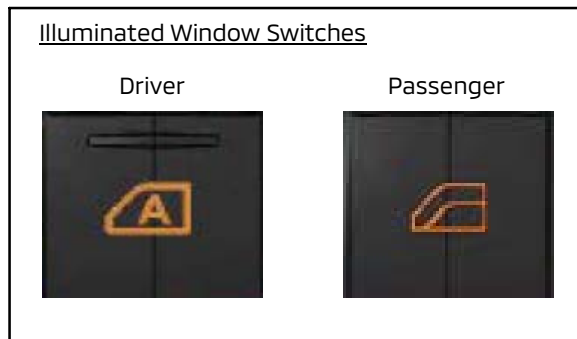
SEL, GT: Leather-appointed seats, silver painted instrument and accent panels with silver pinstripe, soft-touch door armrest, trim panel insert.

NOTE: GT interior shown as example. Please see below for an overall view of interior color and trim treatments on all 2019 Outlander models.

Interior Color and Trim Overview of 2019 Outlander Models

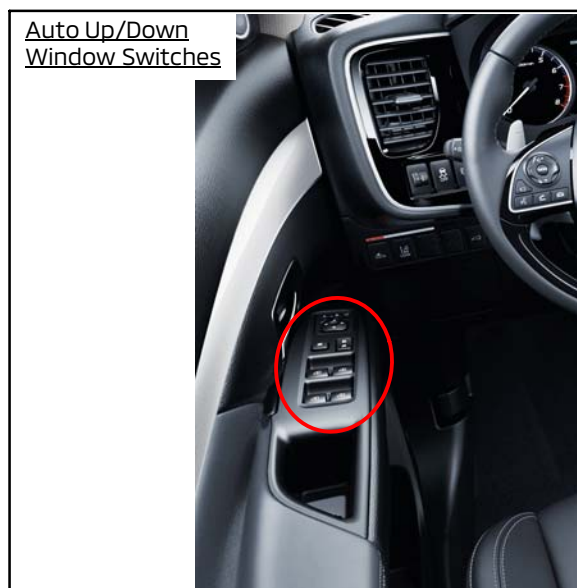
	ES	SE	SEL/GT
<u>Seats</u>	Fabric 	Combination Soft-Touch 	Leather-Appointed 
<u>Trim</u>	Gloss Black 	Gloss Black with Silver Pinstripe 	Silver Painted with Silver Pinstripe 

CONVENIENCE



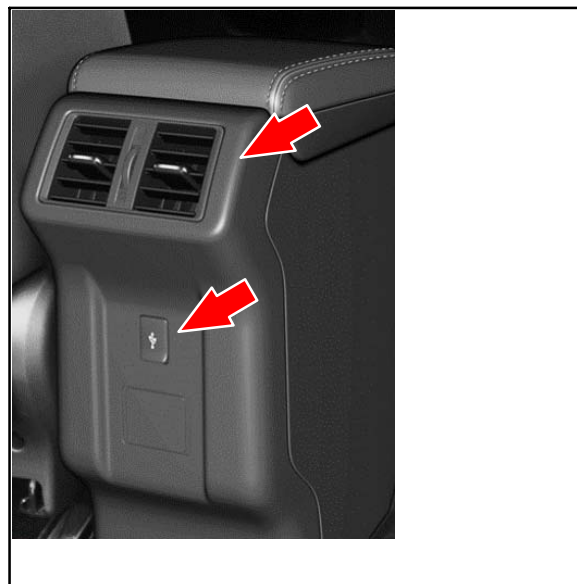
Window Switch Illumination

Now standard for all 2019 Outlander are illuminated power window switches on all doors.



Power Window Driver Controlled Auto Up/Down Switches for all Windows

All 2019 Outlander now feature Auto Up/Down power window switches on the driver's door as standard equipment.



Rear Seat A/C Vents

All 2019 Outlander models are now equipped with A/C vents on the back of the center console, providing more comfort for rear seat passengers.

Rear USB port (single)

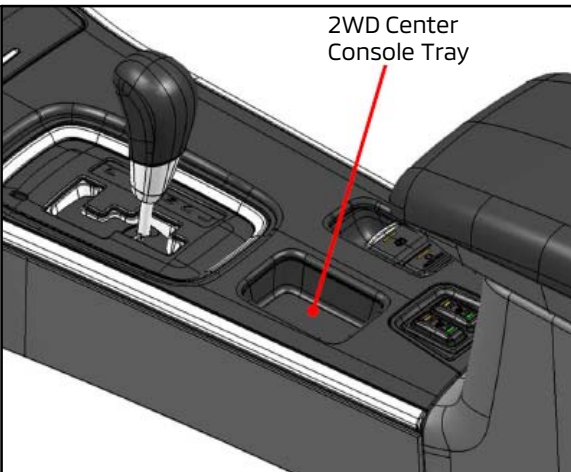
Standard on SE, SEL, and GT is a single USB port located on the back of the center console, adding more convenience for rear seat passengers.

CONVENIENCE (continued)



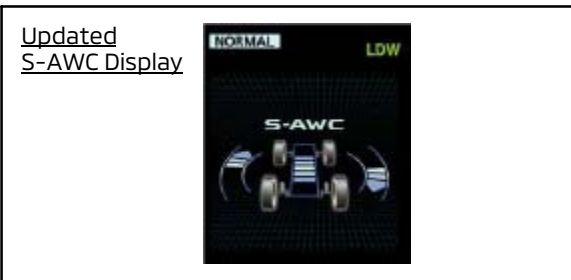
Front USB Port Relocated to Front Lower Dash

Now standard on all 2019 Outlander models, the front USB port has been relocated to the front lower dash. (Dual USB ports inside the center console have been eliminated. SE, SEL, and GT now have single USB ports in the front lower dash and on the back of the center console.)



Center Console Tray (2WD Only)

Now standard on all 2WD models (ES, SE, SEL) is a convenient tray in the center console.



Updated
S-AWC Display

New S-AWC Graphic Display (S-AWC Only)

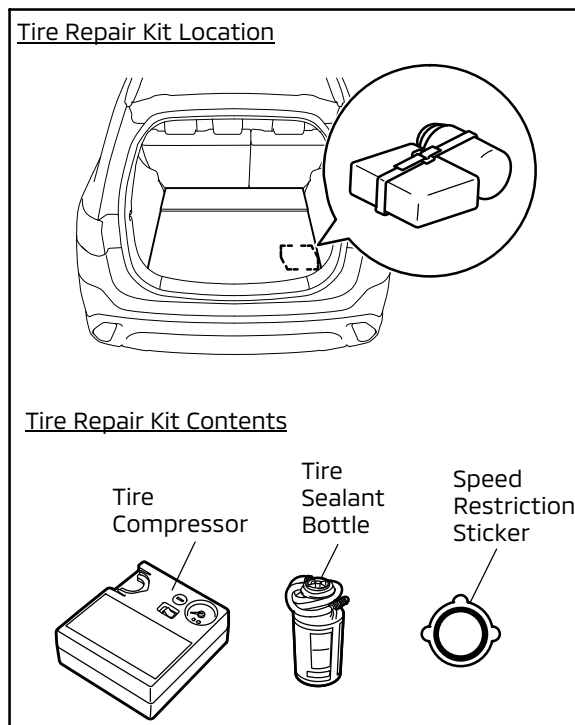
For SE, SEL, and GT models with Super All-Wheel Control (S-AWC) the graphic display in the MID has been updated.

SAFETY & SECURITY



Electric Parking Brake w/Auto Hold (2WD models)

Now standard on all ES and 2WD SE and SEL is an electric parking brake with auto hold, with the switch located in the center console.



Tire Repair Kit

Standard for all 2019 Outlander is an all-new tire repair kit. (Spare tire has been eliminated, but still available as a dealer option.)

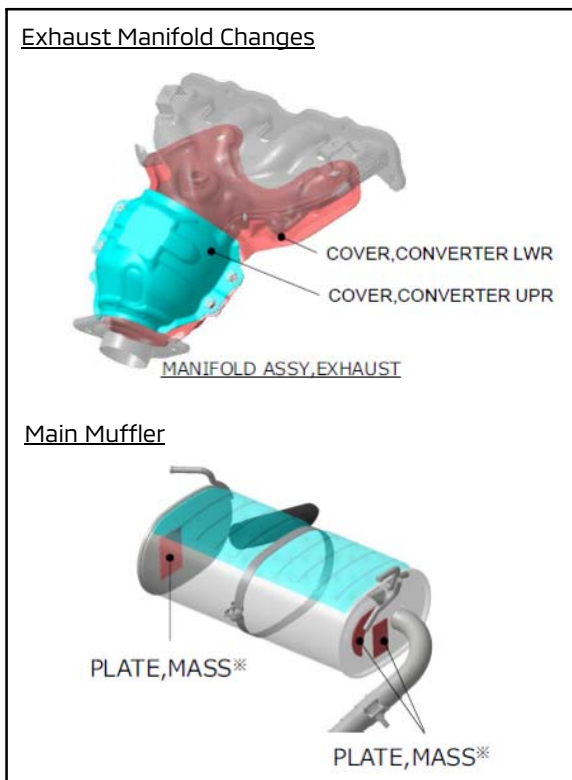
SAFETY & SECURITY (continued)

Blind Spot Warning (BSW) with Rear Cross Traffic Alert (RCTA) and Lane Change Assist (LCA) are now available as an option for SE models as part of the new SE Convenience Package.



VEHICLE DYNAMICS

Several enhancements and improvements have been made to vehicle dynamics on all 2019 Outlander models, adding to a better riding experience for driver and passengers.



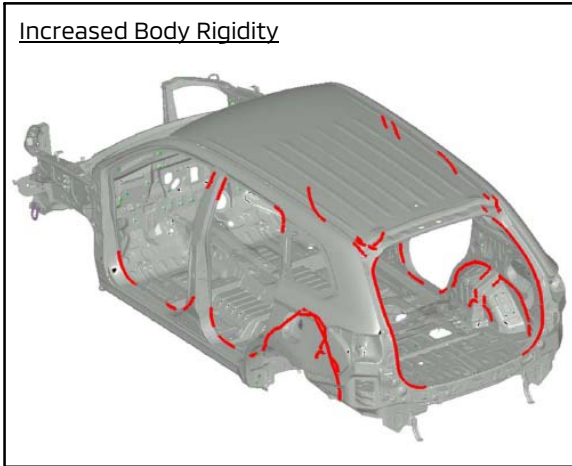
Exhaust System Changes Reduce Engine and Cabin Noise

The following changes to the exhaust system reduce engine and cabin noise, leading to increased quietness inside the vehicle.

- Increased thickness of the lower and upper converter covers of the exhaust manifold assembly.
- Mass end plates added to main muffler to reduce vibration and noise.

VEHICLE DYNAMICS (continued)

Increased Body Rigidity



Increased Body Rigidity

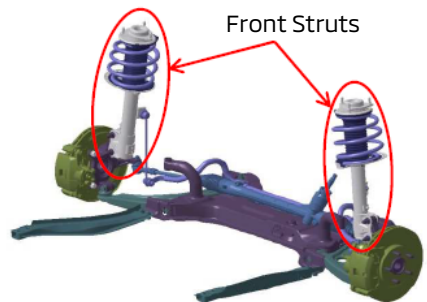
Body rigidity has been increased with more adhesive bonding in the areas indicated with red lines.

Improved Stability, Ride Comfort, Handling With Changes to Suspension & Steering

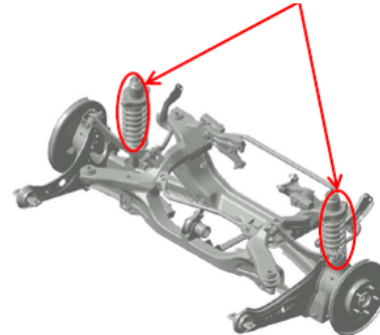
Stability, ride comfort, and handling have been improved with changes to:

- Front struts and rear shock absorbers, resulting in better suspension tuning.
- Steering - enhanced with a new quick steering gear ratio.

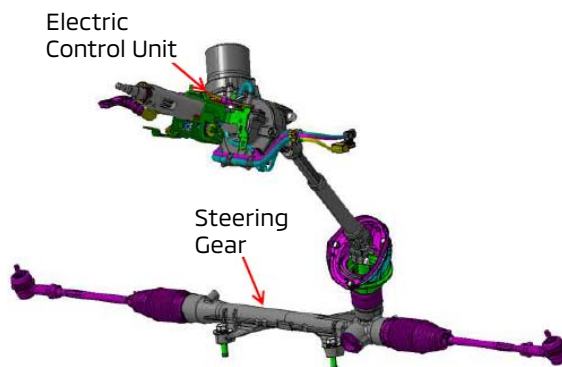
Suspension



Rear Shock Absorbers



Steering



FACTORY OPTION PACKAGES

SE CONVENIENCE PACKAGE - 2019 Outlander SE

- Power glass sunroof with sunshade, tilt & slide, and one touch open/close switch
- Power folding side-view mirrors
- Blind Spot Warning (BSW) with Rear Cross Traffic Alert (RCTA) and Lane Change Assist (LCA)

NOTE: SE Convenience Package replaces the SE Sunroof Package (available for 2018 Outlander SE).

SEL PREMIUM PACKAGE - 2019 Outlander SEL

- 710-Watt Rockford-Fosgate® Premium Audio System w/9 speakers
- Multi-view camera system
- Power glass sunroof with sunshade, tilt & slide, and one touch open/close switch
- Heated steering wheel
- LED high and low beam headlights
- LED fog lights

SEL TOURING PACKAGE - 2019 Outlander SEL

- Multi-view camera system
- 710-Watt Rockford-Fosgate® Premium Audio System w/9 speakers
- Power glass sunroof with sunshade, tilt & slide, and one touch open/close switch
- Adaptive Cruise Control (ACC) system
- Forward Collision Mitigation (FCM) System
- Lane Departure Warning (LDW) system
- Automatic High Beam (AHB) headlights
- LED high and low beam headlights
- LED fog lights
- Heated steering wheel

GT TOURING PACKAGE - 2019 Outlander GT

- Adaptive Cruise Control (ACC) system
- Forward Collision Mitigation (FCM) System
- Lane Departure Warning (LDW) system
- Automatic High Beam (AHB) headlights

PORT OPTION PACKAGES

ALL WEATHER PACKAGE - 2019 Outlander - All Trim Levels

- Cargo tray
- All-weather floor mats (4)

CARGO MAT PACKAGE - 2019 Outlander - All Trim Levels

- Cargo mat
- Cargo net
- Third row floormat

INTERIOR PACKAGE - 2019 Outlander - All Trim Levels

- Black leather/aluminum shift knob
- Gloss black door switch panels

PORT OPTION PACKAGES (continued)

EXTERIOR PACKAGE - 2019 Outlander - All Trim Levels

- Front, side, and rear airdams

PROTECTION PACKAGE - 2019 Outlander - All Trim Levels

- Rear bumper step protector
- Scuff plates
- Tailgate protector

LED ILLUMINATION PACKAGE - 2019 Outlander - All Trim Levels

- Floor illumination (Blue LED)
- Shiftgate illumination (Blue LED)

ENTERTAINMENT PACKAGE - 2019 Outlander - All Trim Levels

- Rear seat DVD player
- Remote control
- Infrared wireless headphones (2)

TOWING PACKAGE - 2019 Outlander - All Trim Levels

- Tow hitch
- Trailer tow wire harness

CHROME PACKAGE - 2019 Outlander SE, SEL, GT

- Chrome door handle covers
- Side view mirror covers

POPULAR EQUIPMENT VALUE PACKAGE - 2019 Outlander - All Trim Levels

- Wheel locks
- Front and rear mudguards
- Body side moldings
- Black leather/aluminum shift knob
- Cargo mat
- Cargo net
- Third row floormat

PROTECTION & ALL WEATHER VALUE PACKAGE - 2019 Outlander - All Trim Levels

- Rear bumper step protector
- Scuff plates
- Tailgate protector
- Cargo tray
- All weather floor mats (4)

STYLING VALUE PACKAGE - 2019 Outlander - All Trim Levels

- Rear large spoiler
- Hood emblem
- Black lug nuts and wheel locks
- Front and rear mudguards

ACCESSORY OPTIONS (U.S. Models)

The following port and/or dealer installed accessories are available for 2019 Outlander.

- Halogen fog lights (ES only)
- LED fog lights (SE, SEL only)
- Front and rear park assist sensors
- Hood protector
- Sunroof wind deflector (SE, SEL, GT only)
- Roof rack crossbars
- Tonneau cover (ES only)
- Wheel locks
- Black lug nuts and wheel locks
- Front and rear mudguards
- Alloy fuel door
- Color-keyed body side moldings
- Rear large spoiler
- Rear park assist sensors
- Remote engine start
- Hood emblem

STANDARD ADDITIONAL EQUIPMENT (U.S. Models)

The following additional equipment is standard for 2019 Outlander.

- Tonneau cover (SE, SEL, GT only)
- Carpeted floor mats and portfolio

WARRANTY	
U.S. and Puerto Rico	Canada
● Basic - 5 years or 60,000 miles	● Basic - 5 years or 100,000 km
● Powertrain - 10 years or 100,000 miles (original retail purchaser only). 5 years or 60,000 miles to subsequent owners.	● Powertrain - 10 years or 160,000 km
● Outer Panel Rust Perforation - 7 years or 100,000 miles	● Rust Perforation - 5 years with unlimited km
● Adjustments - 1 year or 12,000 miles	● Adjustments - 1 year or 20,000 km
● Roadside Assistance - 5 years / unlimited miles	● Roadside Assistance - 5 years/unlimited km
● Emissions - Refer to the Warranty and Maintenance Manual for coverage details.	