



LTB01208NAS1

# TECHNICAL BULLETIN

02 AUG 2018

© Jaguar Land Rover North America, LLC

NOTE: The information in Technical Bulletins is intended for use by trained, professional Technicians with the knowledge, tools, and equipment required to do the job properly and safely. It informs these Technicians of conditions that may occur on some vehicles, or provides information that could assist in proper vehicle service. The procedures should not be performed by 'do-it-yourselfers'. If you are not a Retailer, do not assume that a condition described affects your vehicle. Contact an authorized Land Rover service facility to determine whether this bulletin applies to a specific vehicle.

## INFORMATION

## SECTION:

501-14: Handles, Locks, Latches and Entry Systems

## SUBJECT/CONCERN:

Hood Release Inoperative

## AFFECTED VEHICLE RANGE:

MODEL:	MODEL YEAR:	VIN:	ASSEMBLY PLANT:
Discovery (LR)	2017	000004-046517	Solihull

**MARKETS:**

NORTH AMERICA

**CONDITION SUMMARY:****SITUATION:**

The hood interior release lever may be inoperative and not release the hood.

**CAUSE:**

This may be caused by the hood release cable not being the correct length.

**ACTION:**

Should a customer express this concern, follow the Workshop Procedure below.

**PARTS:**

PART NUMBER	DESCRIPTION	QUANTITY
LR121817	Hood release cable	1

**TOOLS:**

Refer to Workshop Manual for any required special tools.

**WARRANTY:****NOTES:**

- Repair procedures are under constant review, and therefore times are subject to change; those quoted here must be taken as guidance only. Always refer to JLR claims submission system to obtain the latest repair time.
- The JLR Claims Submission System requires the use of causal part numbers. Labor only claims must show the causal part number with a quantity of zero.

DESCRIPTION	SRO	TIME (HOURS)	CONDITION CODE	CAUSAL PART
Hood release cable - Renew	76.16.89.01	0.5	42	LR083194

 **NOTE:**

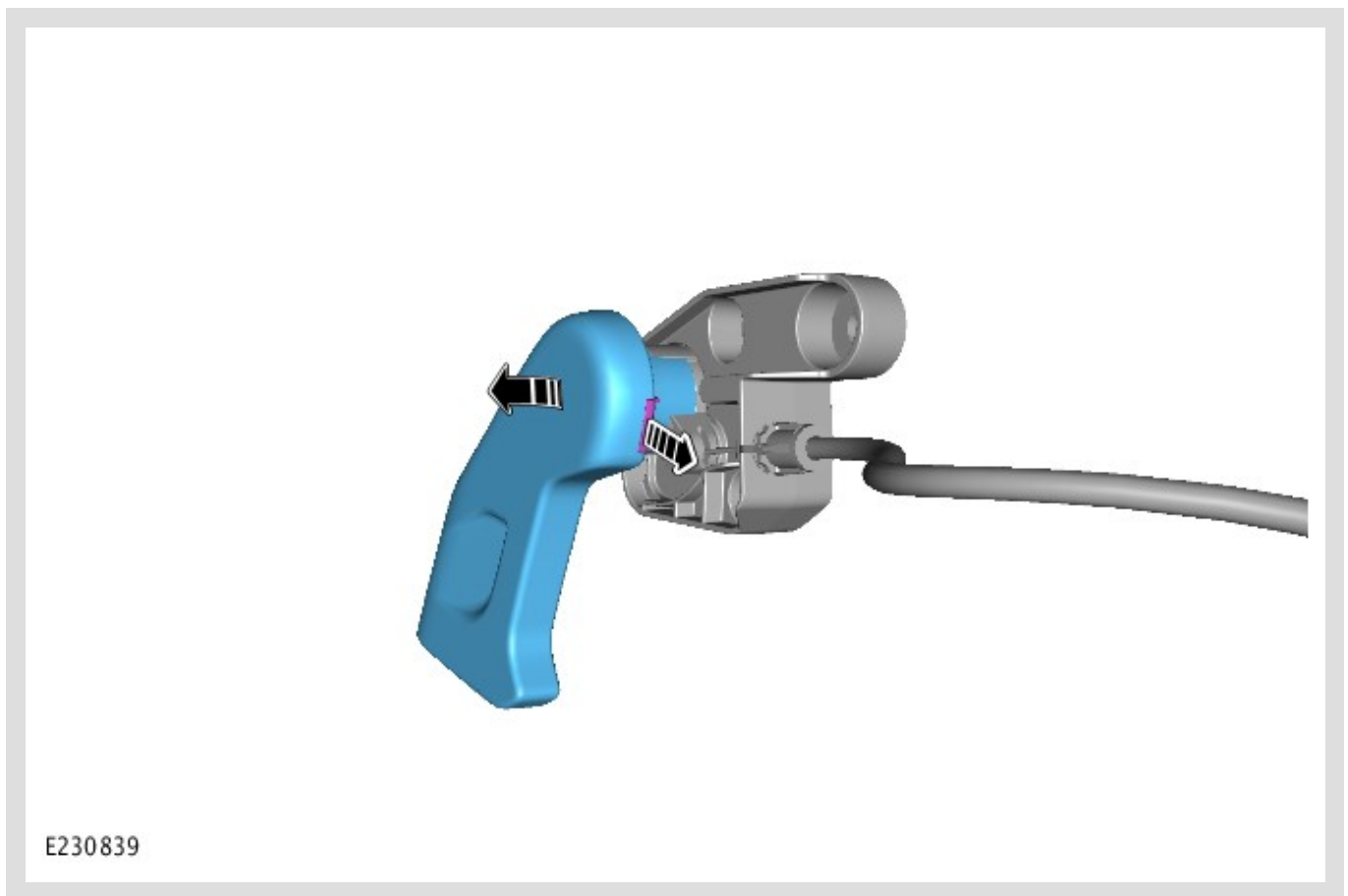
Normal Warranty procedures apply.

**WORKSHOP PROCEDURE:****1** Verify hood release operation.

- If the hood interior release lever does operate the hood latches and the hood can be opened, go to Step 5.
- If the hood interior release lever does not operate the hood latches and the hood cannot be opened, go to Step 2.

**2** **NOTE:**

Components shown removed from the vehicle for clarity.

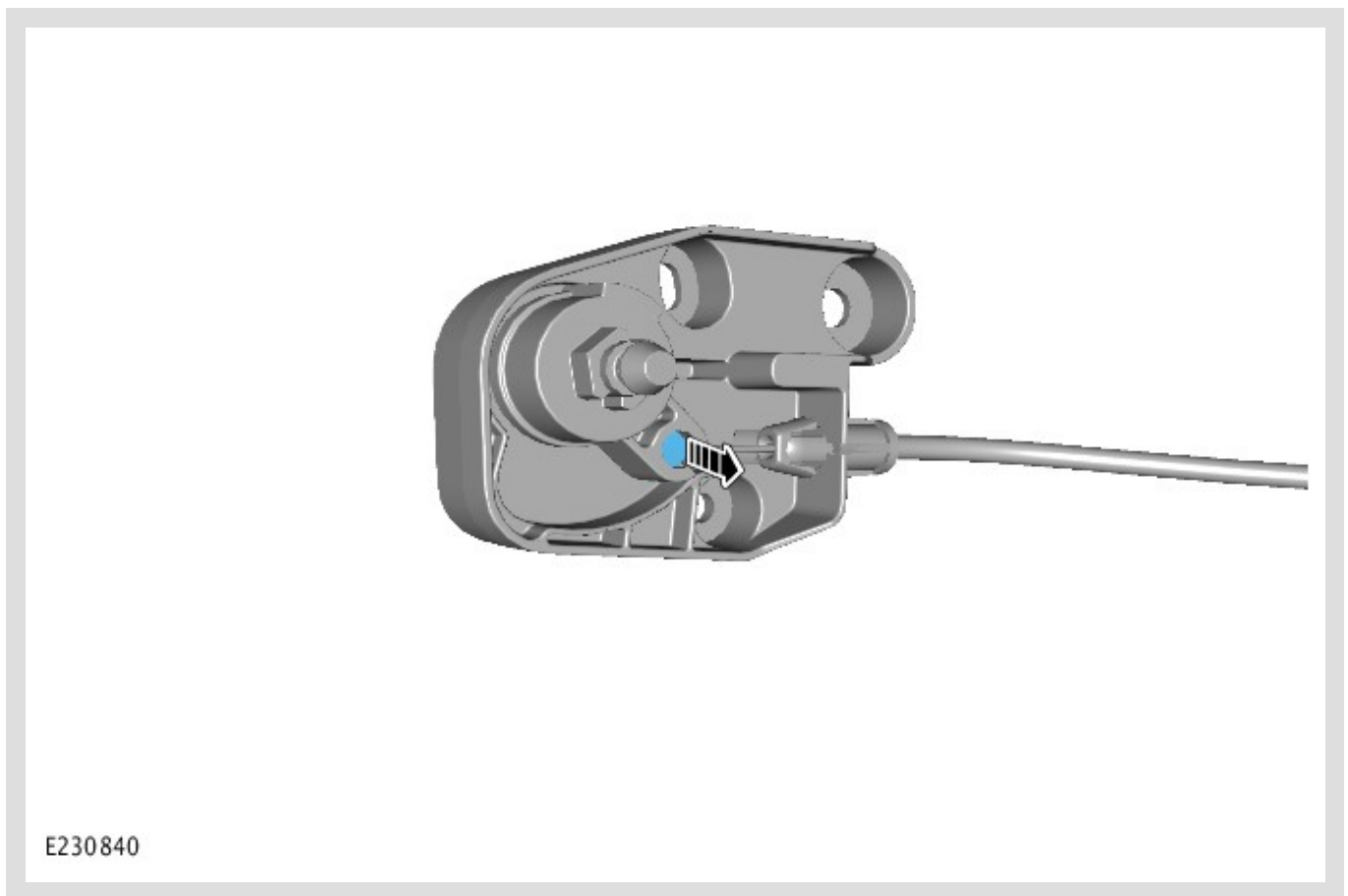


Remove hood interior release lever from the hood release mechanism.

3

 **NOTE:**

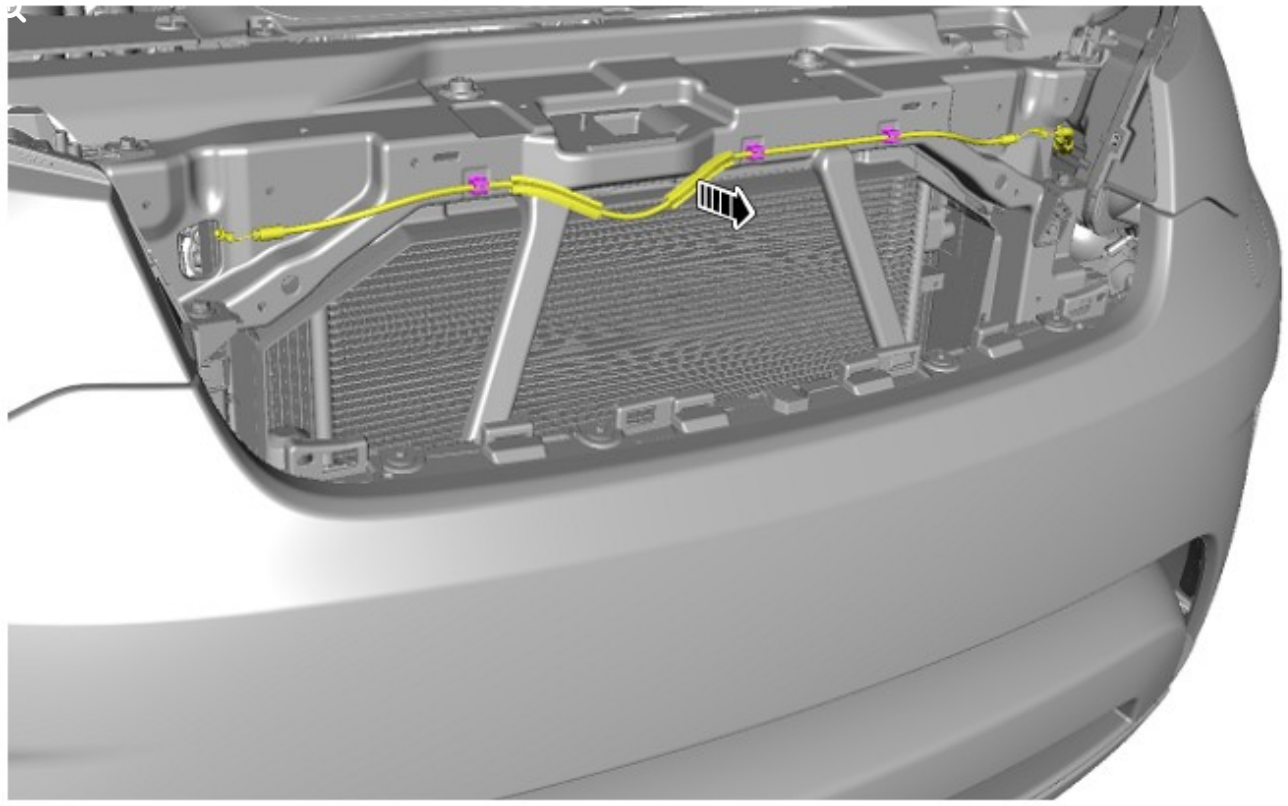
Components shown removed from the vehicle for clarity.



Release the hood release cable from the hood release mechanism.

- 
- 4 Use a suitable tool to operate the hood release cable to open the hood latches.
  - 5 Remove the hood left and right latches (see TOPIx Workshop Manual section 501-14: Handles, Locks, Latches and Entry Systems - Removal and Installation - Hood Latch).
-

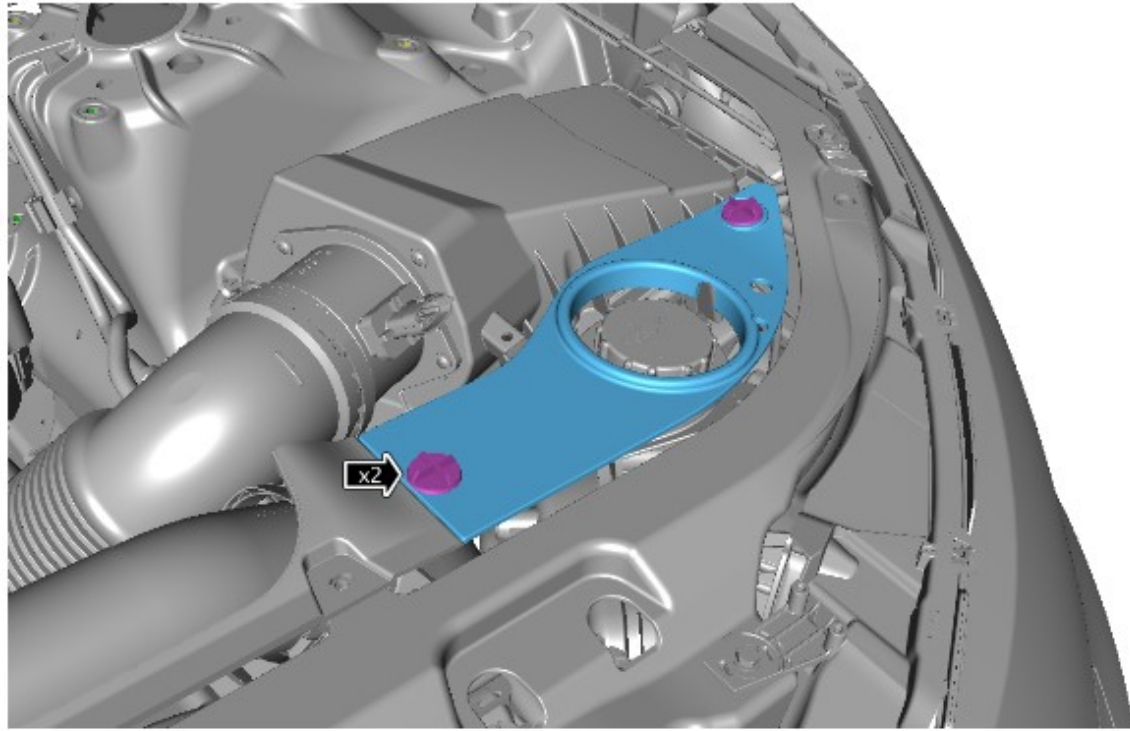
6



E230166

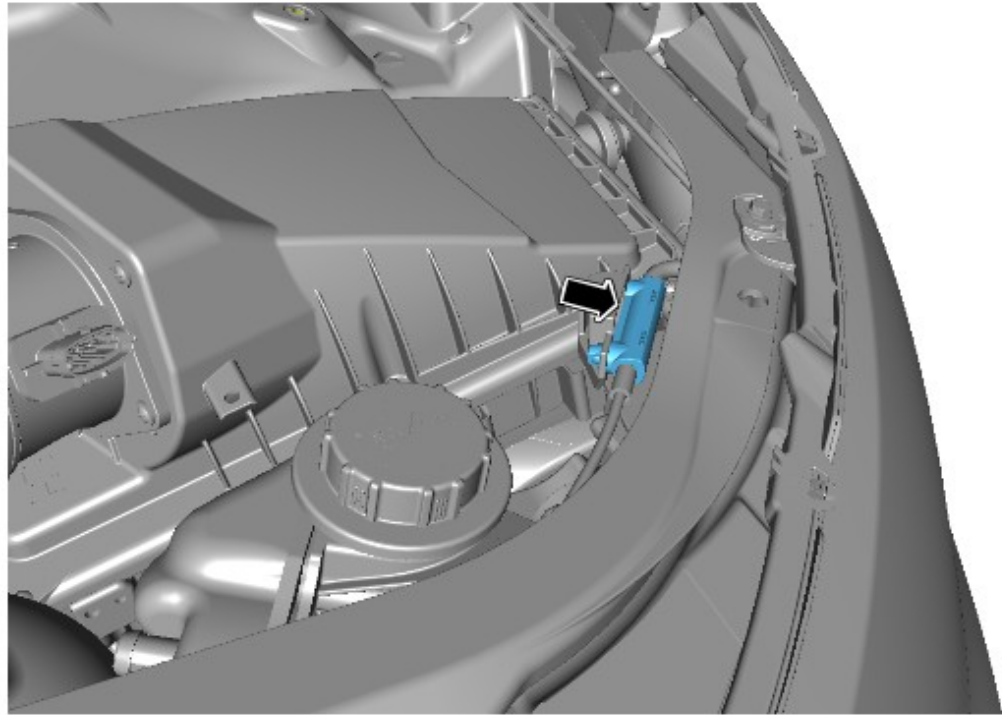
Release the hood release cable.

7



E230169

Remove the trim.



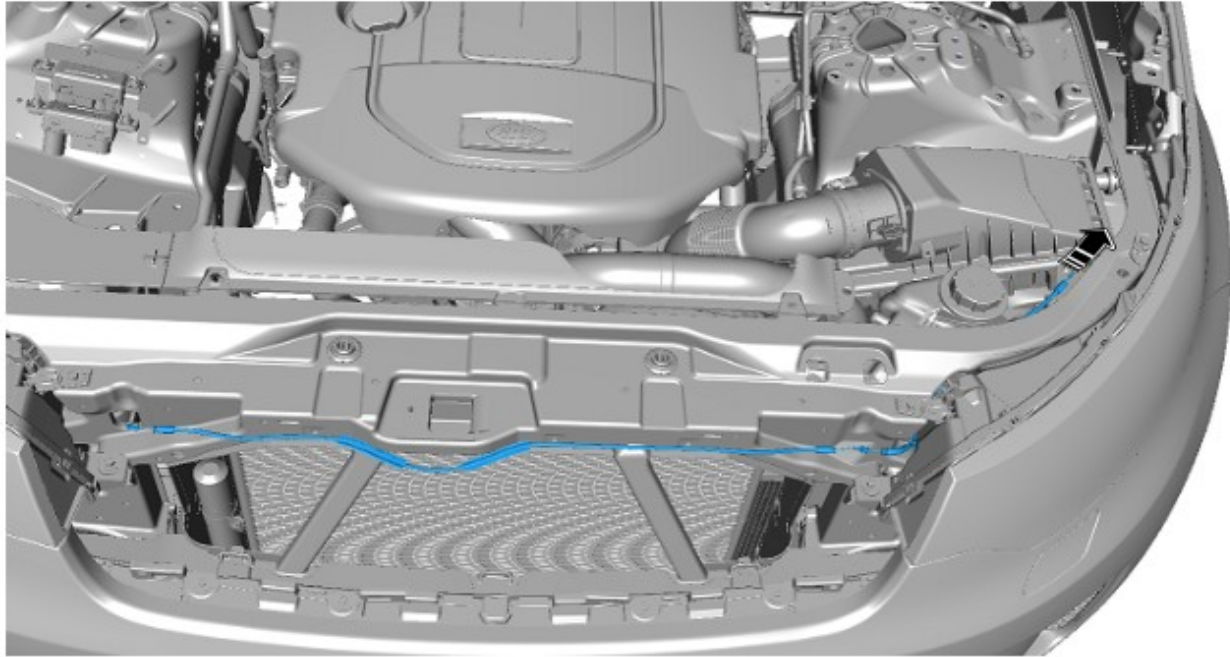
E230167

Release the hood release cable from the retainer.

---



9



E230168

Remove the hood release cable from the vehicle.

10 Reverse Steps 5-9 to install the new hood release cable.