



JTB00634NAS2

TECHNICAL BULLETIN

14 AUG 2018

© Jaguar Land Rover North America, LLC

NOTE: The information in Technical Bulletins is intended for use by trained, professional Technicians with the knowledge, tools, and equipment required to do the job properly and safely. It informs these Technicians of conditions that may occur on some vehicles, or provides information that could assist in proper vehicle service. The procedures should not be performed by 'do-it-yourselfers'. If you are not a Retailer, do not assume that a condition described affects your vehicle. Contact an authorized Jaguar service facility to determine whether this bulletin applies to a specific vehicle.

INFORMATION

This reissue replaces all previous versions. Please destroy all previous versions.

Changes are highlighted in blue

SECTION:

501-14

SUBJECT/CONCERN:

Emergency Key Barrel Cover Adrift

AFFECTED VEHICLE RANGE:

MODEL:	MODEL YEAR:	VIN:	ASSEMBLY PLANT:
E-PACE (X540)	2018 Onwards	Z00213 Onwards	Graz (Austria)

MODEL:	MODEL YEAR:	VIN:	ASSEMBLY PLANT:
F-PACE (X761)	2017-2018	046166-099996	Solihull
F-PACE (X761)	2017	488002-499998	Solihull
F-PACE (X761)	2017-2018	880002-899997	Solihull
F-PACE (X761)	2018 Onwards	240000 Onwards	Solihull
XE (X760)	2017 Onwards	P10168 Onwards	Castle Bromwich
XF (X260)	2017 Onwards	Y53221 Onwards	Castle Bromwich

MARKETS:

NORTH AMERICA

CONDITION SUMMARY:

SITUATION:

On vehicles with body color emergency key barrel covers, the cover in the driver's door exterior handle may become adrift.

NOTE:

This issue does not affect vehicles with chrome emergency key barrel covers.

CAUSE:

This may be caused by insufficient retaining features on the driver's door exterior handle gasket.

ACTION:

Should a customer express this concern, follow the Workshop Procedure below.

PARTS:

NOTE:

An allowance of \$52.00 USD or local equivalent has been allocated to cover the cost of paint and materials. Claim using 'ZZZ001'.

PART NUMBER	DESCRIPTION	QUANTITY
T2H39794	Front exterior door handle gasket	1
T2H24265LML	Left Hand Drive (LHD) door handle cap	1
ZZZ001	Paint materials	\$52.00 USD or local equivalent

WARRANTY:

NOTE:

An allowance of \$52.00 USD or local equivalent has been allocated to cover the cost of paint and materials. Claim using 'ZZZ001'.

NOTES:

- Repair procedures are under constant review, and therefore times are subject to change; those quoted here must be taken as guidance only. Always refer to JLR claims submission system to obtain the latest repair time.
- The JLR Claims Submission System requires the use of causal part numbers. Labor only claims must show the causal part number with a quantity of zero.

DESCRIPTION	SRO	TIME (HOURS)	CONDITION CODE	CAUSAL PART
Front exterior door handle - Gasket - Renew - E-PACE (X540)	76.58.51	0.6	39	T2H24270
Front exterior door handle - Gasket - Renew - F-PACE (X761)	76.58.51	0.7	39	T2H24270
Front exterior door handle - Gasket - Renew - XE (X760)	76.58.51	0.5	39	T2H24270
Front exterior door handle - Gasket - Renew - XF (X260)	76.58.51	0.6	39	T2H24270

 **NOTE:**

Normal Warranty procedures apply.

WORKSHOP PROCEDURE:

This Workshop Procedure is applicable to the front left door only.

 **CAUTION:**

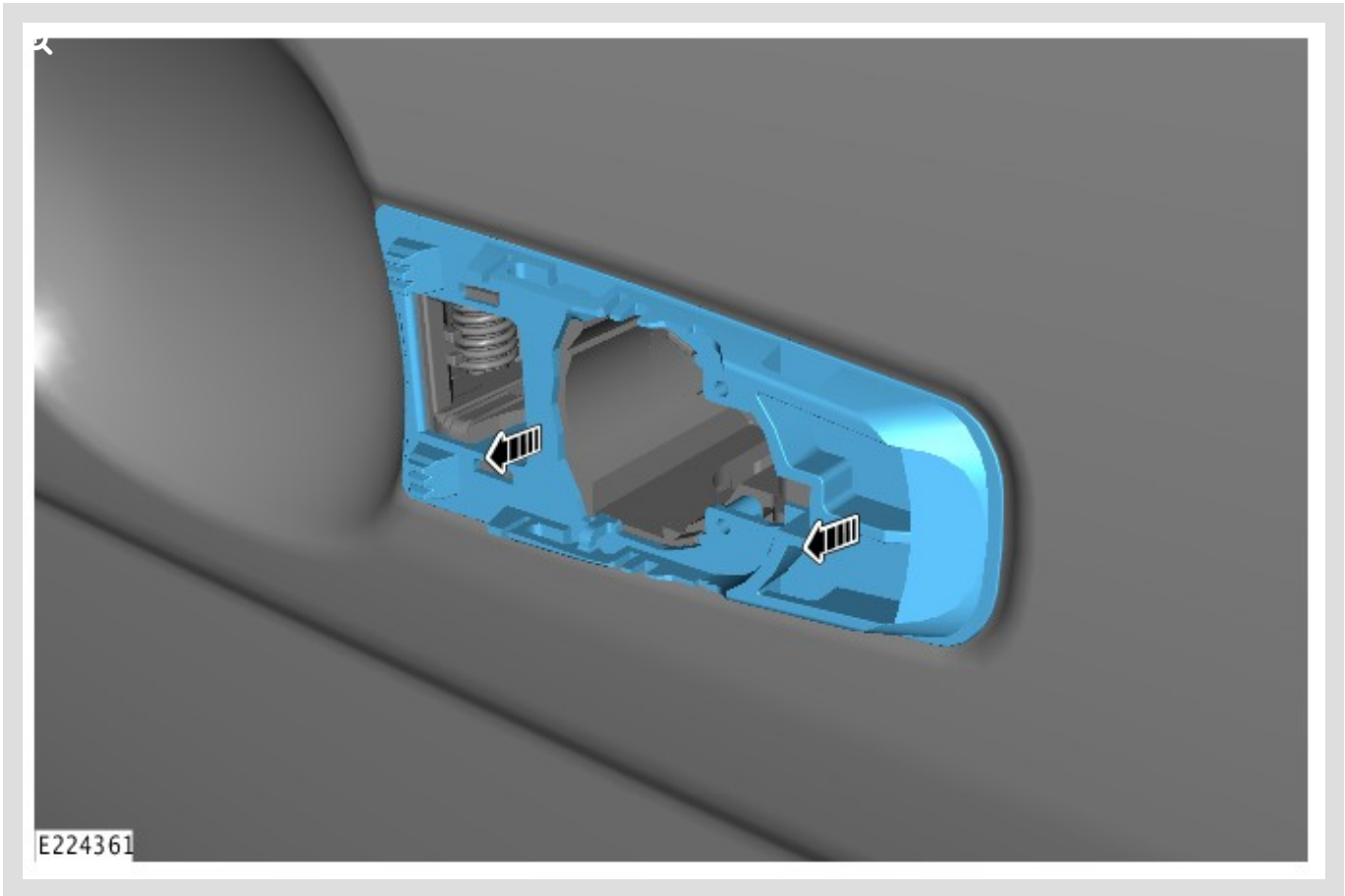
Protect the surrounding paintwork to avoid damage.

 **NOTE:**

The new emergency key barrel cover must be painted before installation.

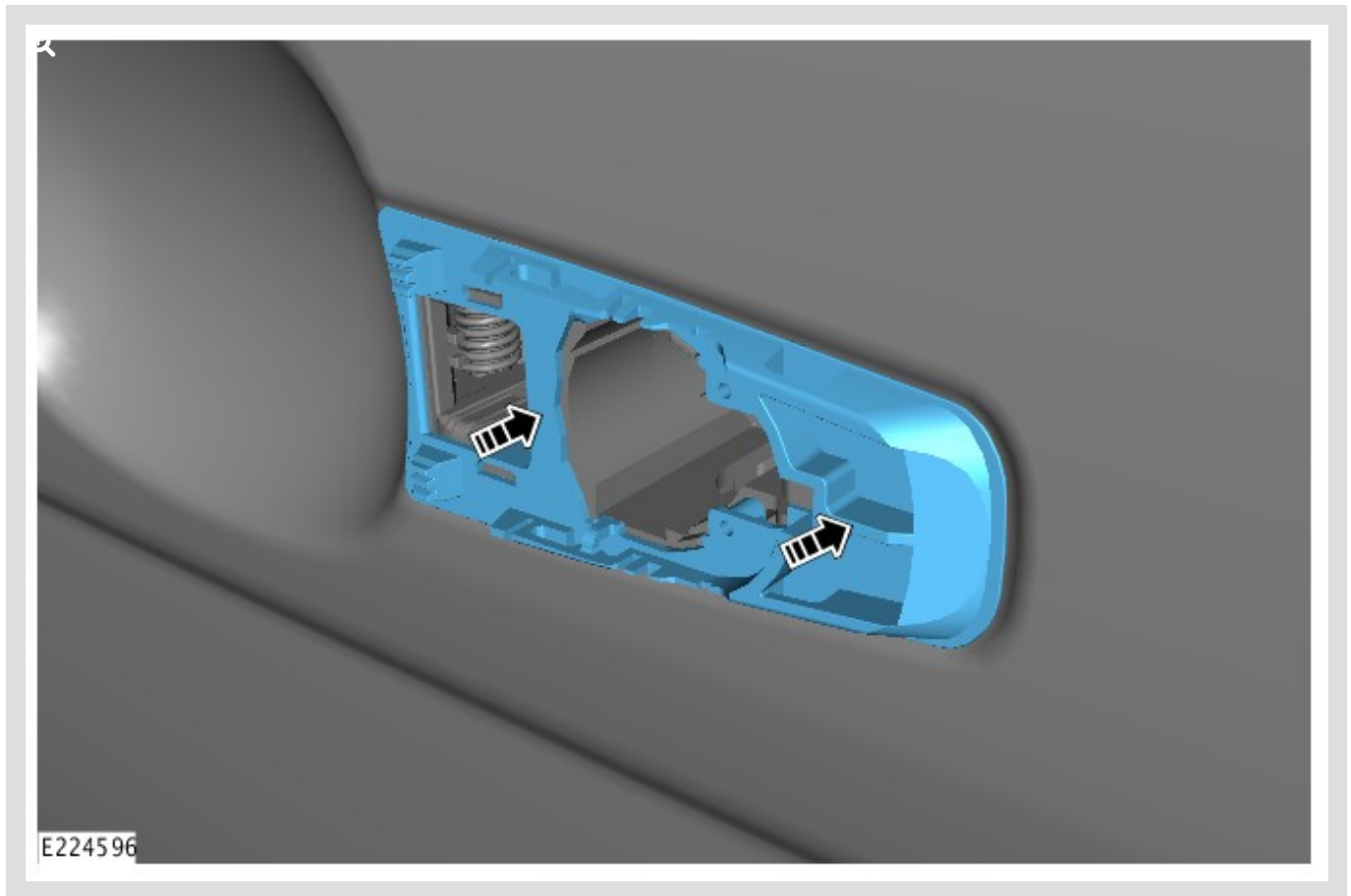
- 1 Remove the front left door exterior handle (see TOPIx Workshop Manual section 501-14: Handles, Locks, Latches and Entry Systems - Removal and Installation - Exterior Front Door Handle).

2



Remove the front left door exterior handle gasket.

3



Install the new front left door exterior handle gasket.

4

Install the front left door exterior handle (see TOPIx Workshop Manual section 501-14: Handles, Locks, Latches and Entry Systems - Removal and Installation - Exterior Front Door Handle).

5

 **NOTE:**

The new emergency key barrel cover must be painted before installation.

Install a new emergency key barrel cover.