



LTB01148NAS2

# TECHNICAL BULLETIN

04 JUN 2018

© Jaguar Land Rover North America, LLC

NOTE: The information in Technical Bulletins is intended for use by trained, professional Technicians with the knowledge, tools, and equipment required to do the job properly and safely. It informs these Technicians of conditions that may occur on some vehicles, or provides information that could assist in proper vehicle service. The procedures should not be performed by 'do-it-yourselfers'. If you are not a Retailer, do not assume that a condition described affects your vehicle. Contact an authorized Land Rover service facility to determine whether this bulletin applies to a specific vehicle.

## INFORMATION

This reissue replaces all previous versions. Please destroy all previous versions.

Changes are highlighted in blue

## SECTION:

204-02: Rear suspension

## SUBJECT/CONCERN:

Knocking Noise From The Rear Of The Vehicle

## AFFECTED VEHICLE RANGE:

MODEL:	MODEL YEAR:	VIN:	ASSEMBLY PLANT:	APPLICABILITY:
--------	-------------	------	-----------------	----------------

MODEL:	MODEL YEAR:	VIN:	ASSEMBLY PLANT:	APPLICABILITY:
Discovery (LR)	2017	000532-042732	Solihull	Vehicles Without: Adaptive Damping

## MARKETS:

NORTH AMERICA

## CONDITION SUMMARY:

### SITUATION:

A knocking noise may be evident from the rear of the vehicle.

### CAUSE:

This may be caused by a cracked rear shock absorber top mount.

### ACTION:

Should a customer express this concern, follow the appropriate Workshop Procedure below.

## PARTS:

PART NUMBER	DESCRIPTION	QUANTITY
LR095866	Mount	2
LR038196	Bolt	2
LR034277	Nut	2
LR034227	Nut	6
LR034276	Gasket	2
LR116654	Nut	2

## TOOLS:

Refer to Workshop Manual for any required special tools.

**WARRANTY:****△ NOTES:**

- Repair procedures are under constant review, and therefore times are subject to change; those quoted here must be taken as guidance only. Always refer to JLR claims submission system to obtain the latest repair time.
- The JLR Claims Submission System requires the use of causal part numbers. Labor only claims must show the causal part number with a quantity of zero.

DESCRIPTION	SRO	TIME (HOURS)	CONDITION CODE	CAUSAL PART
Top mount - Rear shock absorber - Without 7 seats - Pair	64.30.51	2.1	04	LR095866
Top mount - Rear shock absorber - With 7 seats - Pair	64.30.51.50	1.7	04	LR095866

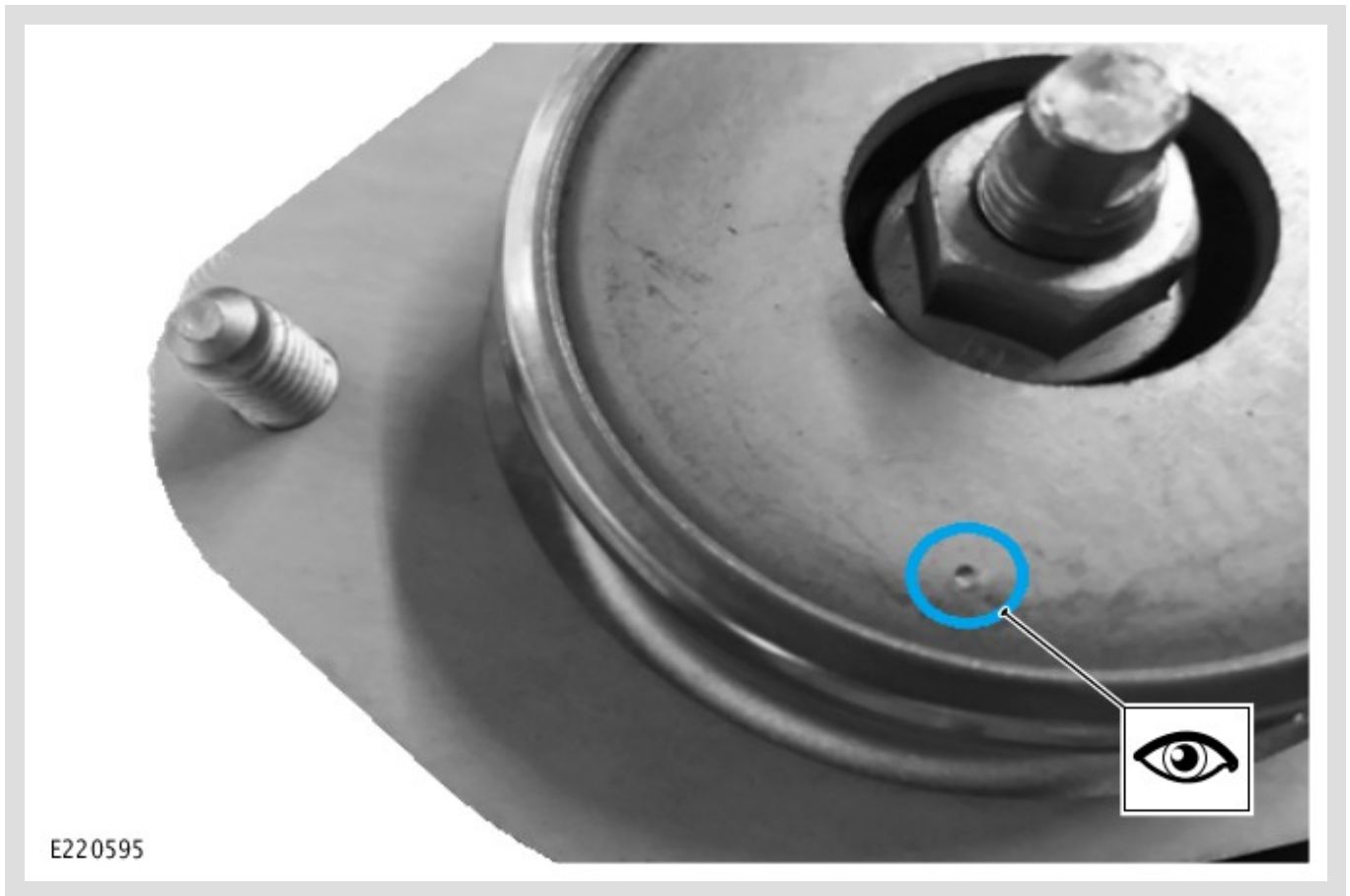
**△ NOTE:**

Normal Warranty procedures apply.

**SERVICE INFORMATION:****ⓘ CAUTION:**

Do not install a part that is not identified with a dot punch mark.

1

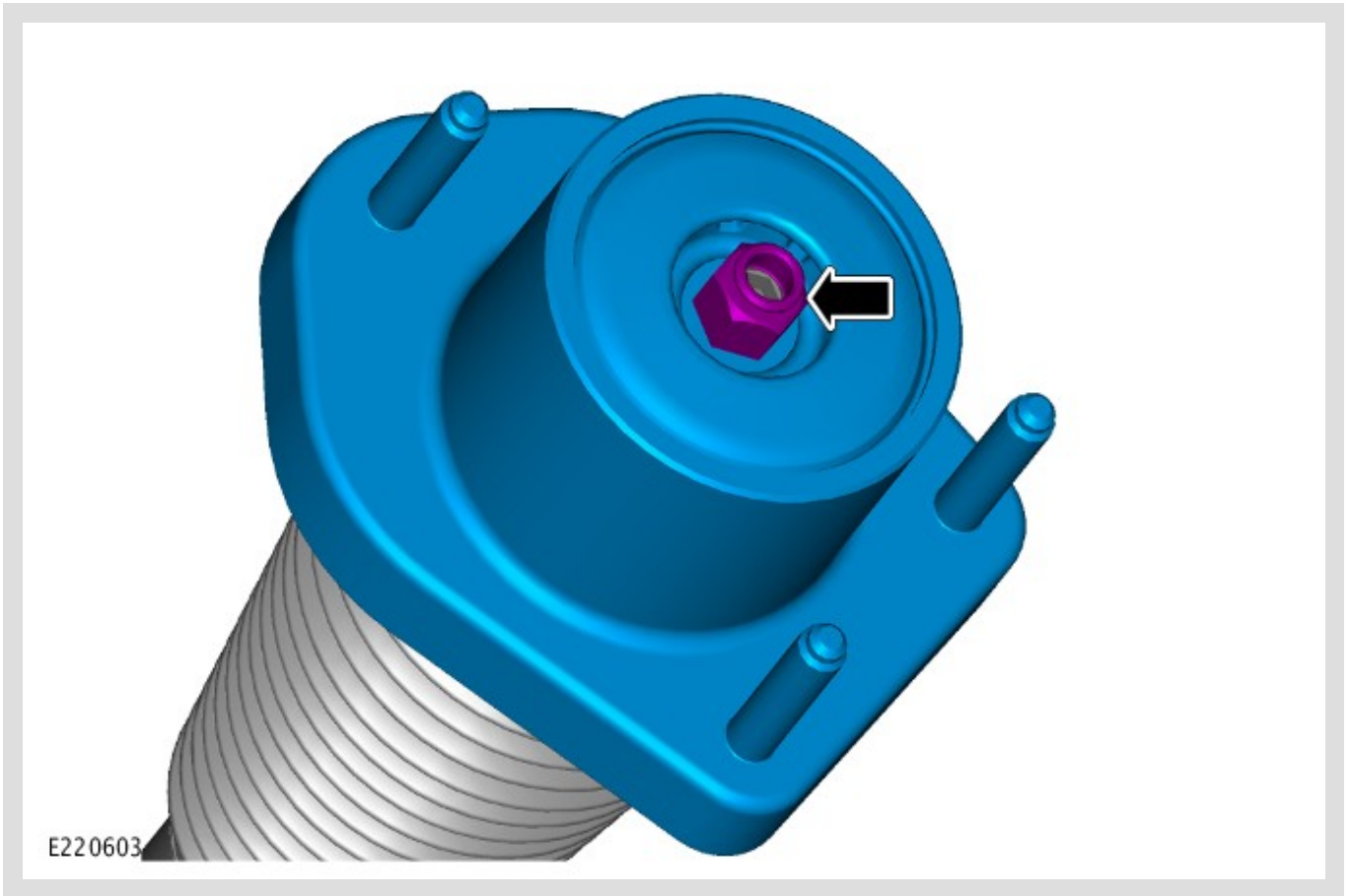


The new top mount should be identified with a 'dot' punch mark on the top plate.

WORKSHOP PROCEDURE: VEHICLES WITH: 7 SEATS

- 1 Remove the rear left shock absorber (see TOPIx Workshop Manual section 204-02: Rear suspension - Removal and installation - Rear shock absorber - Vehicles with: 7 seats **steps 1-11 only**).

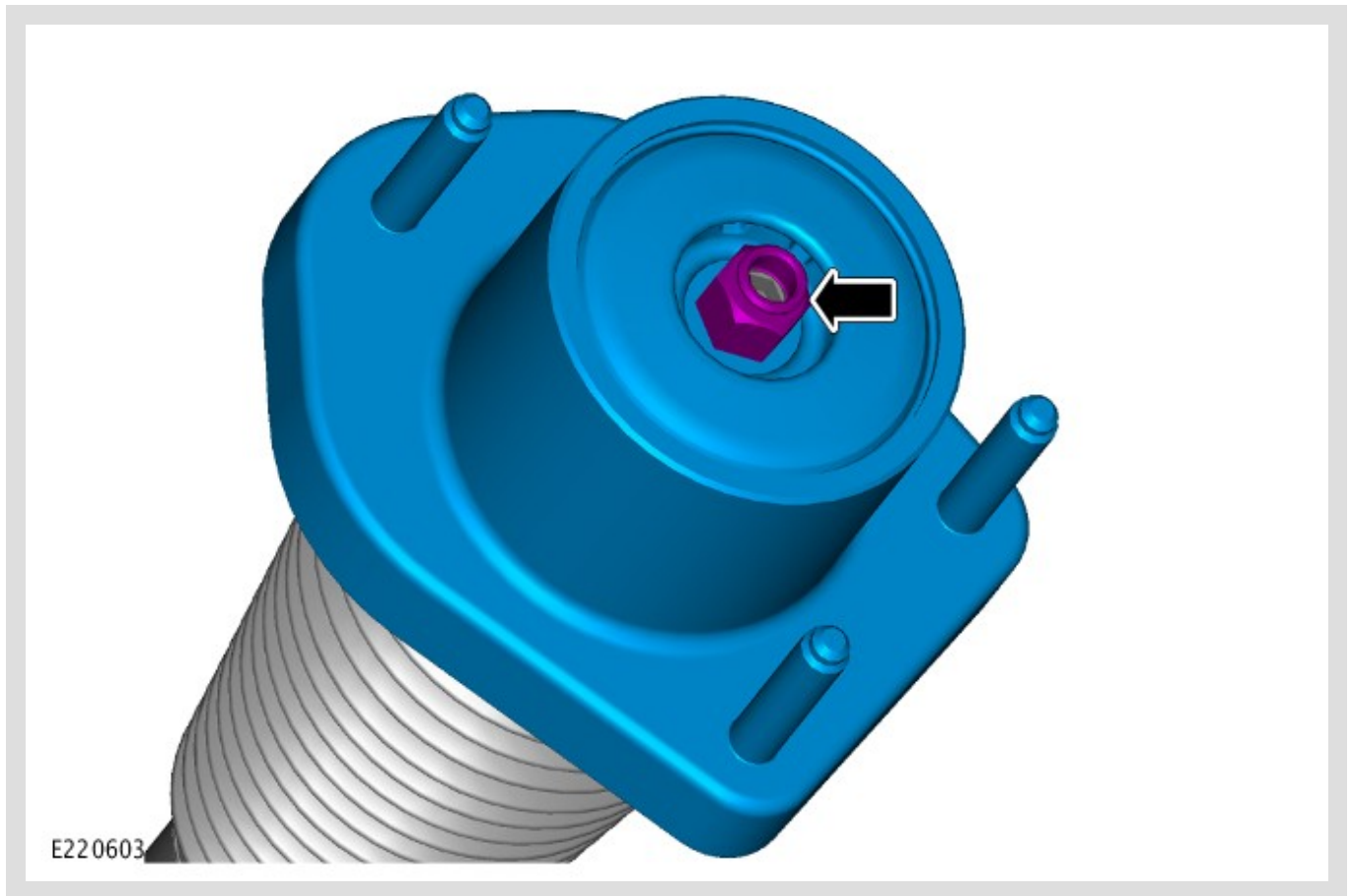
2



Remove the rear left shock absorber top mount.

---

3



Install the new rear left shock absorber top mount.

- Torque: **32 Nm**

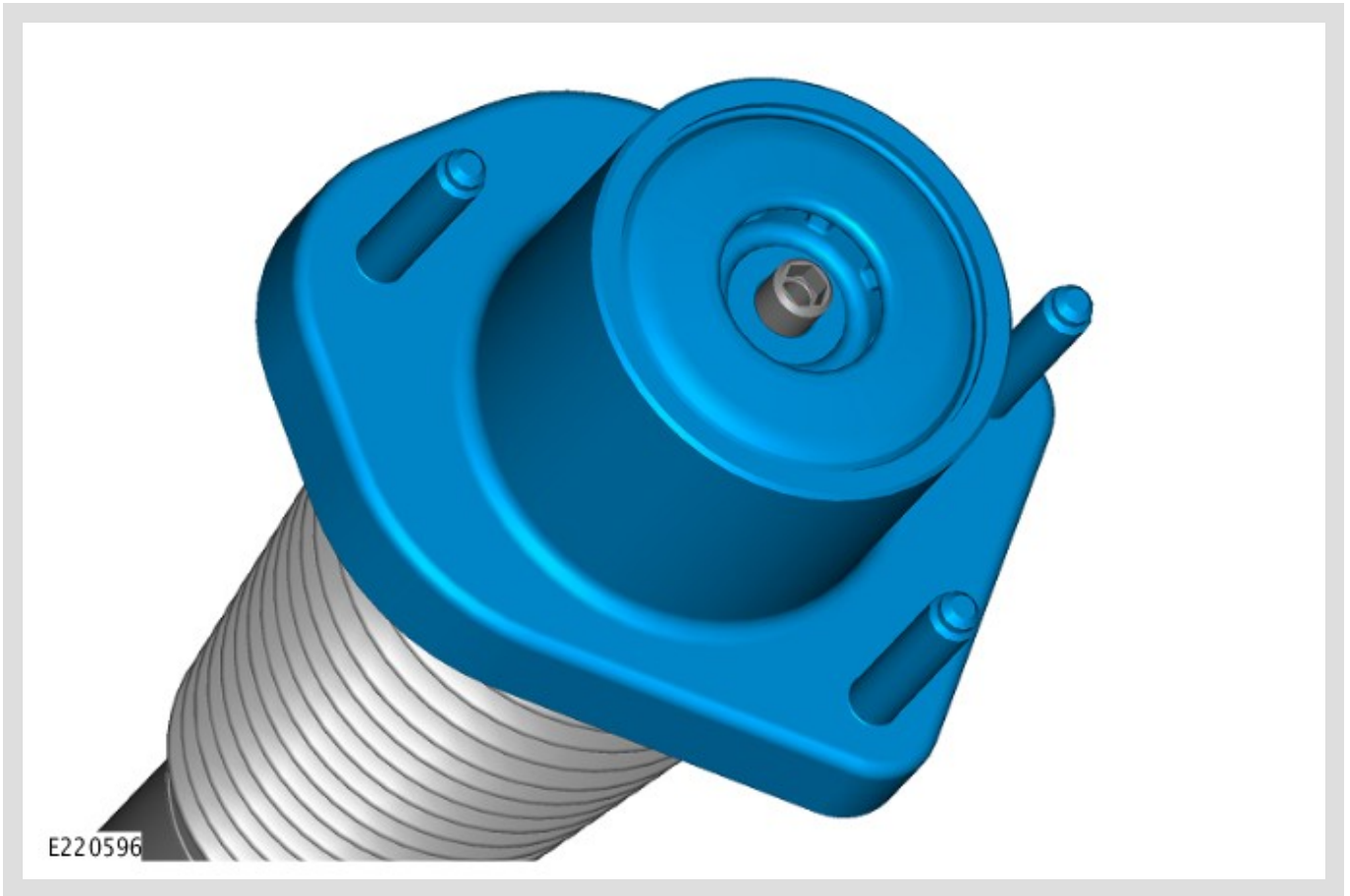
4 Install the rear left shock absorber (see TOPIx Workshop Manual section 204-02: Rear suspension - Removal and installation - Rear shock absorber - Vehicles with: 7 seats **steps 1-13 only**).

5 Repeat steps 1-4 rear right shock absorber.

#### WORKSHOP PROCEDURE: VEHICLES WITHOUT: 7 SEATS

1 Remove the rear left shock absorber (see TOPIx Workshop Manual section 204-02: Rear suspension - Removal and installation - Rear shock absorber - Vehicles without: 7 seats - **steps 1-18 only**).

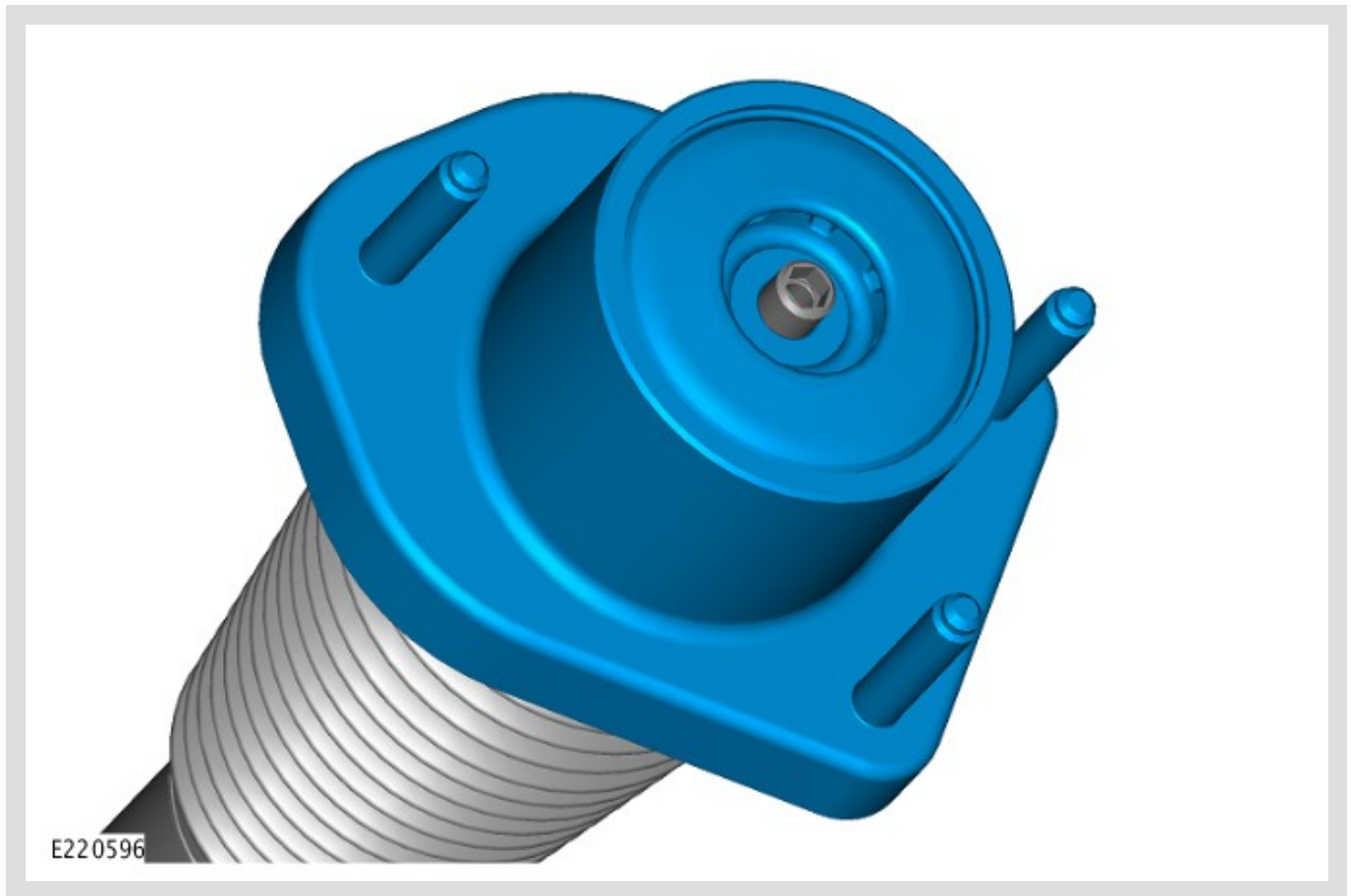
2



Remove the rear left shock absorber top mount.

---

3



Install the new rear left shock absorber top mount.

4 Install the rear left shock absorber (see TOPIx Workshop Manual section 204-02: Rear suspension - Removal and installation - Rear shock absorber - Vehicles without: 7 seats - **steps 3-24 only**).

5 Repeat steps 1-4 rear right shock absorber.