



# Technical Journal

TITLE:

**B&W speaker grill, noise**

<b>REF NO:</b> TJ 32777.1.0	<b>ISSUING DEPARTMENT:</b> Technical Service	<b>CAR MARKET:</b> United States and Canada	
<b>PARTNER:</b> 3 US 7510 Volvo Car USA		<b>ISSUE DATE:</b> 2017-10-23	<b>STATUS DATE:</b> 2017-11-15
<b>FUNC GROUP:</b> 8511	<b>FUNC DESC:</b> Door upholstery	Page 1 of 11	

“Right first time in Time”

## Attachment

File Name	File Size
TJ 32777.pdf	3.2319 MB

## Vehicle Type

Type	Eng	Eng Desc	Sales	Body	Gear	Steer	Model Year	Plant	Chassis range	Struc Week Range
234							2017-2018		0000350-0027165	201617-201719
235							2017-2018		0000160-0037233	201624-210719
236							2017-2018		0000098-0014258	201646-201719
238							2018-9999		0000161-0999999	201646-999952

## CSC Customer Symptom Codes

Code	Description
F9	Doors/Squeak/rattle/When opening/closing

## VST Operation Number

VST Operation Number	Description
98693-2	Decor panel adjust x4 acc. to TJ32777

## DTC Diagnostic Trouble Codes

## Text

**DESCRIPTION:**

\*B&T (Bower and Wilkins)

Noise between B&W loud speaker grille and decor panel. Can occur on both front and rear doors when playing music or opening/closing door.

**SERVICE:**

Insert foam pieces (p/n 31426986) according to instruction TJ32777.pdf.

**VEHICLE REPORT:**

Yes, please submit a Vehicle Report if the service solution described in this TJ has no effect. Use concern area "Vehicle Report" and sub concern area "Support not needed", use function group 8511.

**To view TJ attachment continue to next page. This TJ has one attachment.**



## Volvo Car Customer Service

TJ 32777

<b>Title</b>	Decor panel	<b>Page</b>	1 ( 9 )
<b>Action</b>	Product fix	<b>Operation number:</b>	98693-2

<b>Issue</b>	<b>Date</b>	<b>Reason</b>
1	2017-10	First issue

### Affected vehicles

<b>Model year</b>	<b>Model</b>
2017, 2018	S90
2018	S90L
2017, 2018	V90 (17-)
2017, 2018	V90 Cross Country

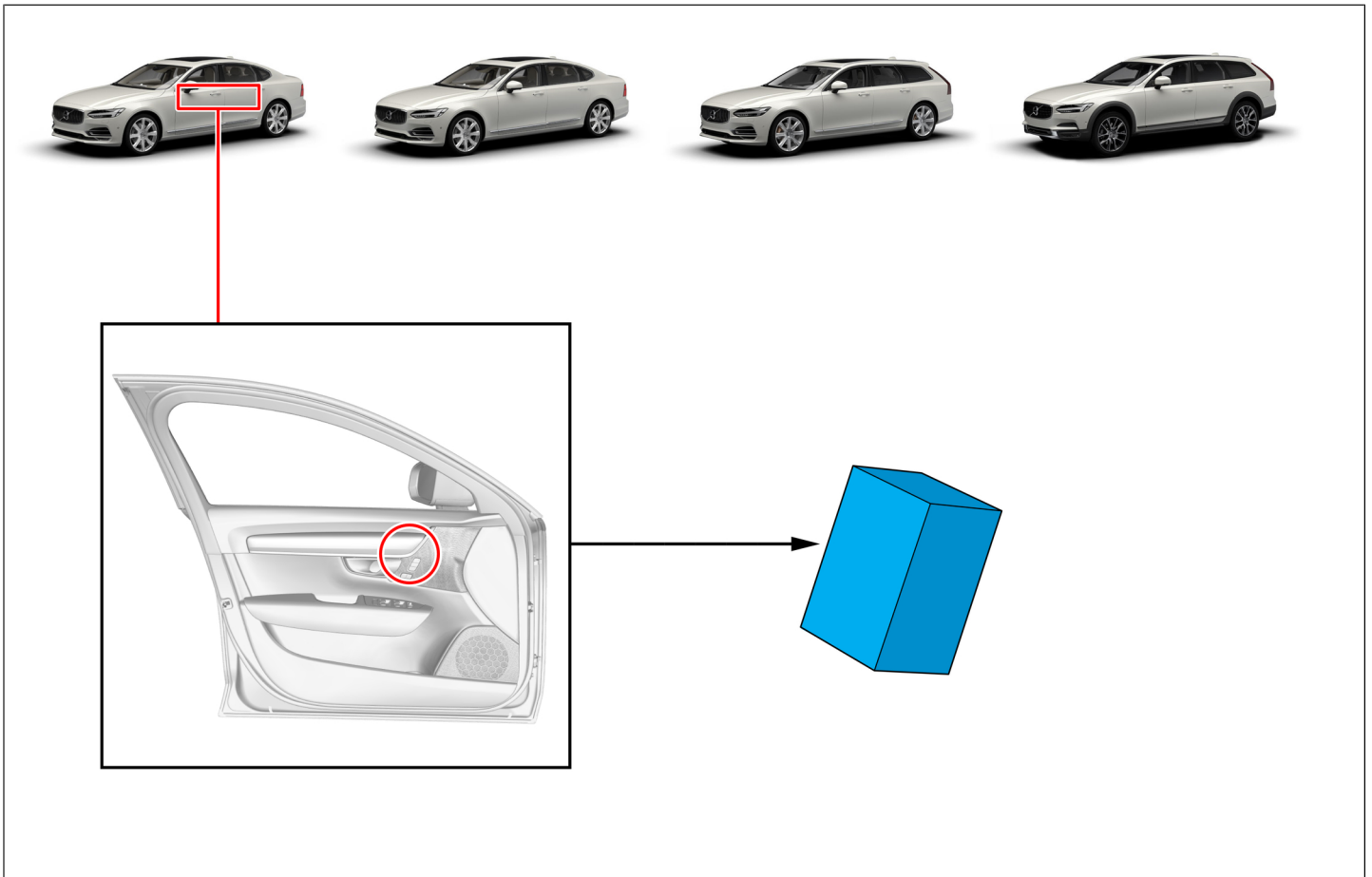
### Materials

<b>Materials</b>	<b>Qty.</b>	<b>Part No.</b>	<b>Notes</b>
Isopropanol	0.2		
Plastic foam	4.0	31426986	

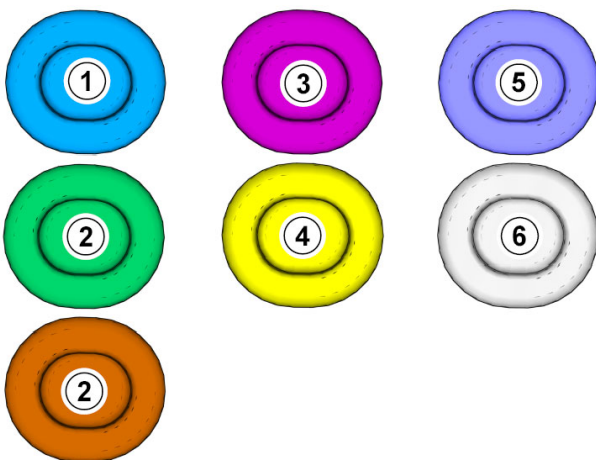
### Equipment

<b>Designation</b>	<b>Part No.</b>
Interior trim remover	

## Orientation view



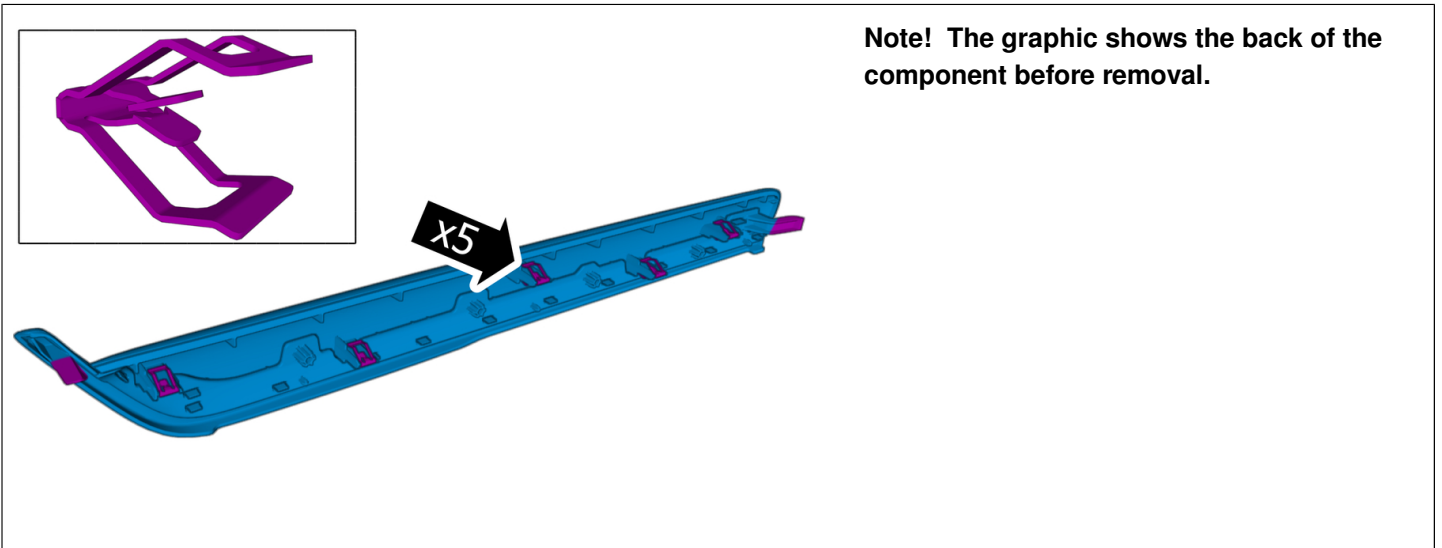
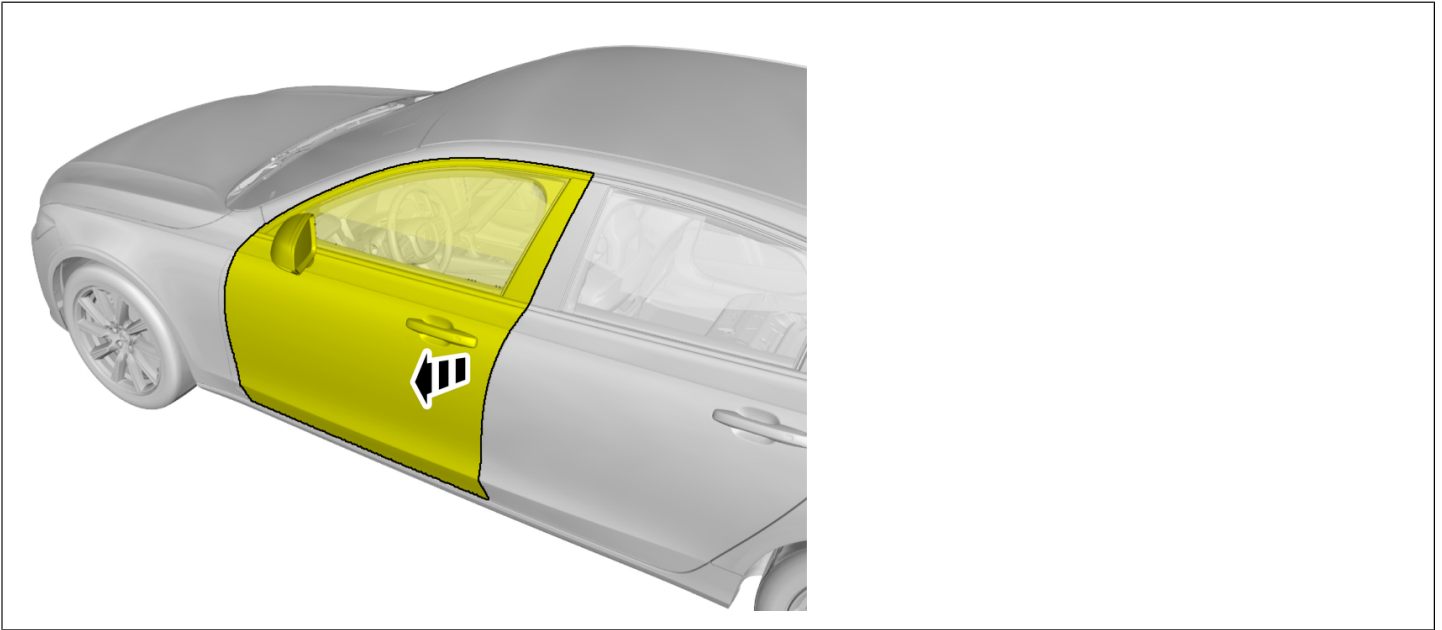
## Color symbols

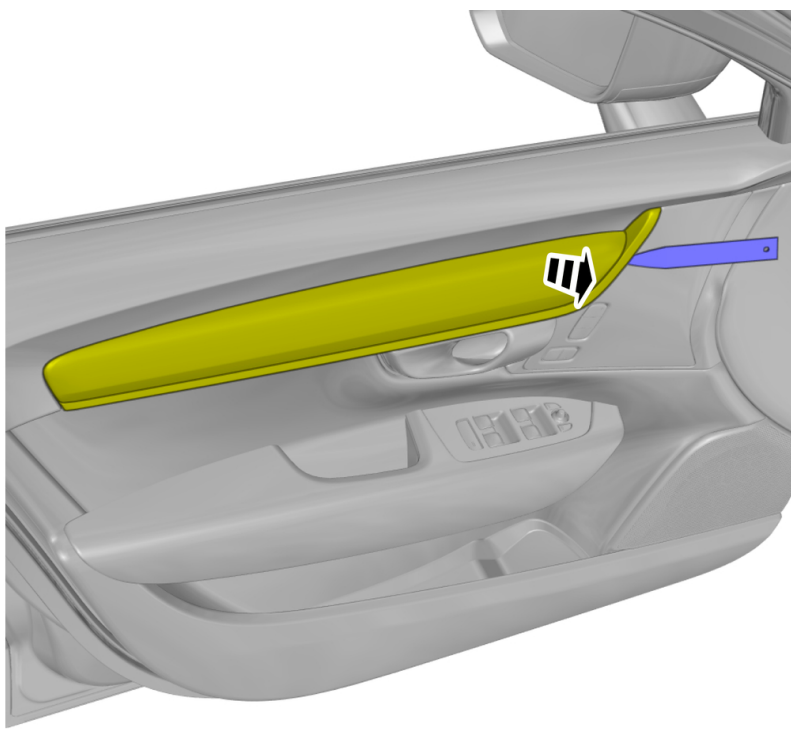


**Note! This colour chart displays (in colour print and electronic version) the importance of the different colours used in the images of the method steps.**

- 1 . Used for focused component, the component with which you will do something.
- 2 . Used as extra colors when you need to show or differentiate additional parts.
- 3 . Used for attachments that are to be removed/installed. May be screws, clips, connectors, etc.
- 4 . Used when the component is not fully removed from the vehicle but only hung to the side.
- 5 . Used for standard tools and special tools.
- 6 . Used as background color for vehicle components.

Removal





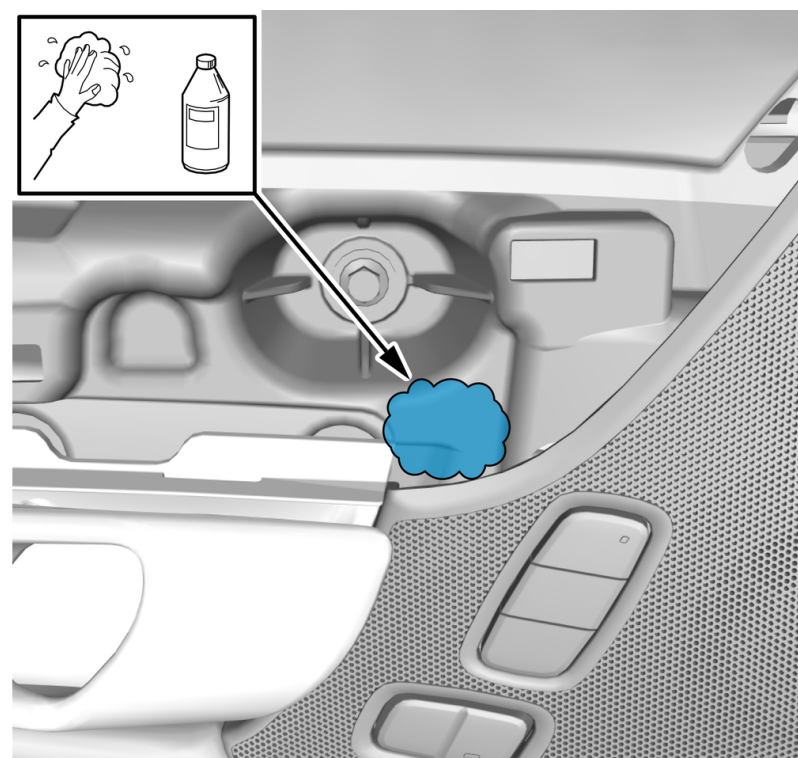
Detach the panel.

**Use:** Interior trim remover



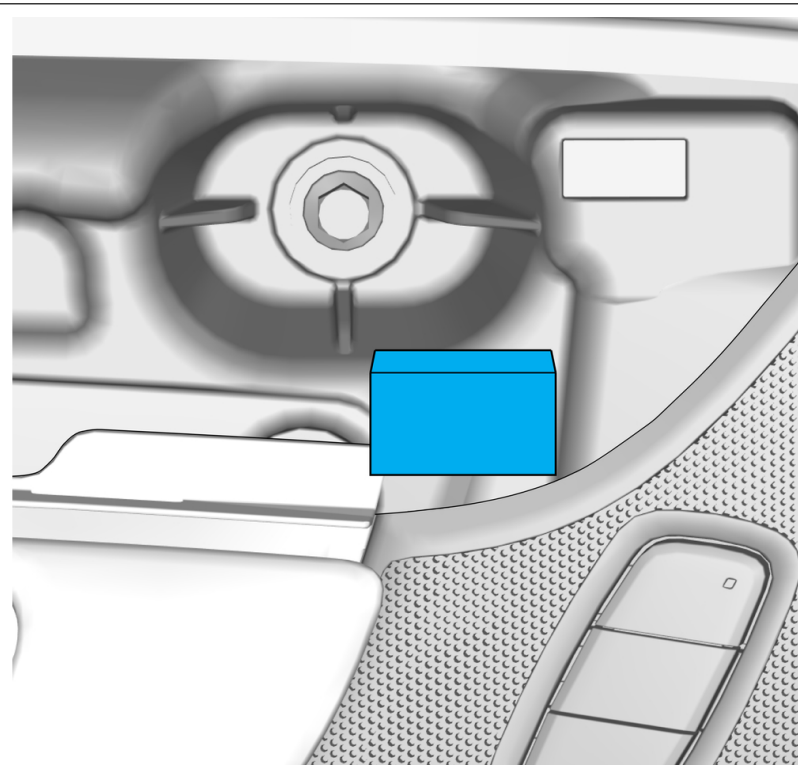
Remove the panel.

Disconnect the connector, if applicable.



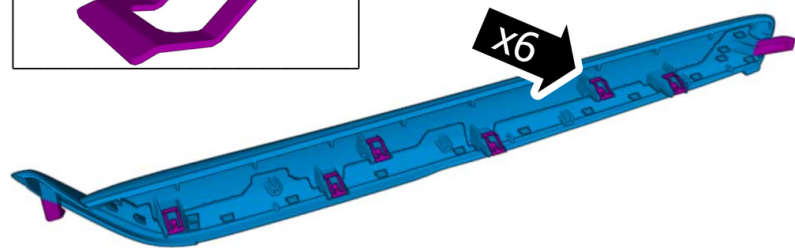
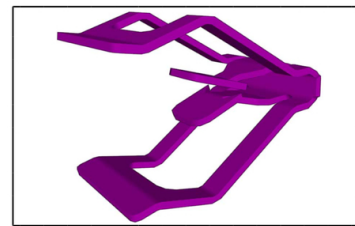
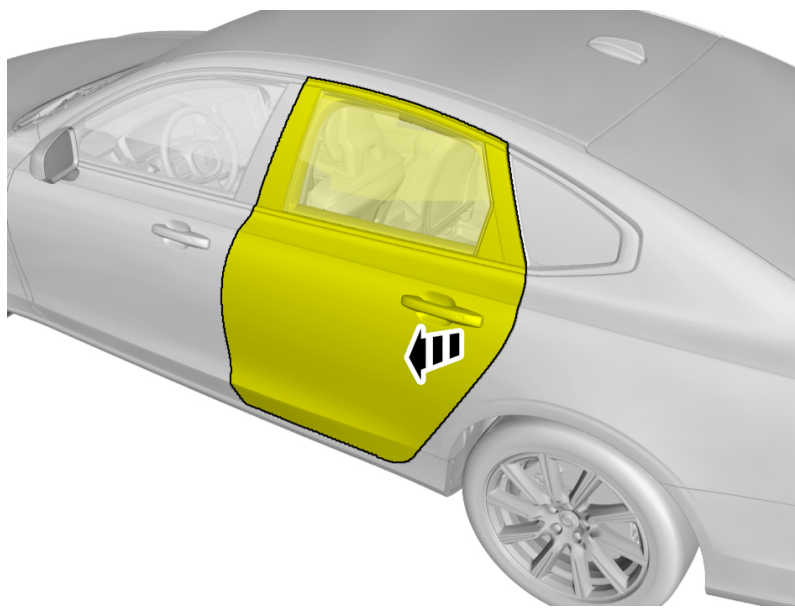
Clean the marked area.

**Use:** Isopropanol ,



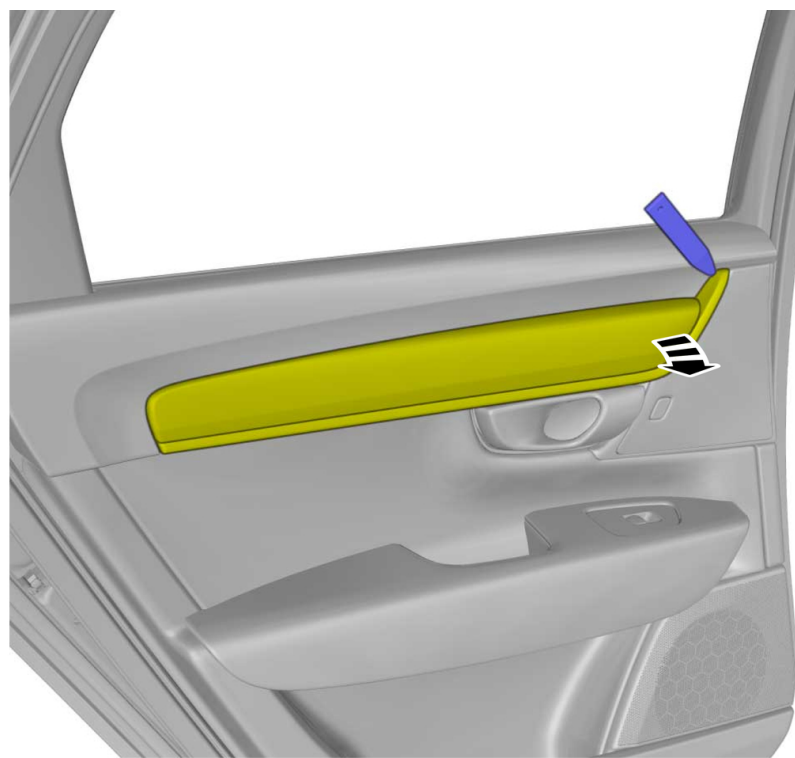
Remove the protective film.  
Install the marked component.

Reinstall the removed parts in reverse order.



**Note!** The graphic shows the back of the component before removal.





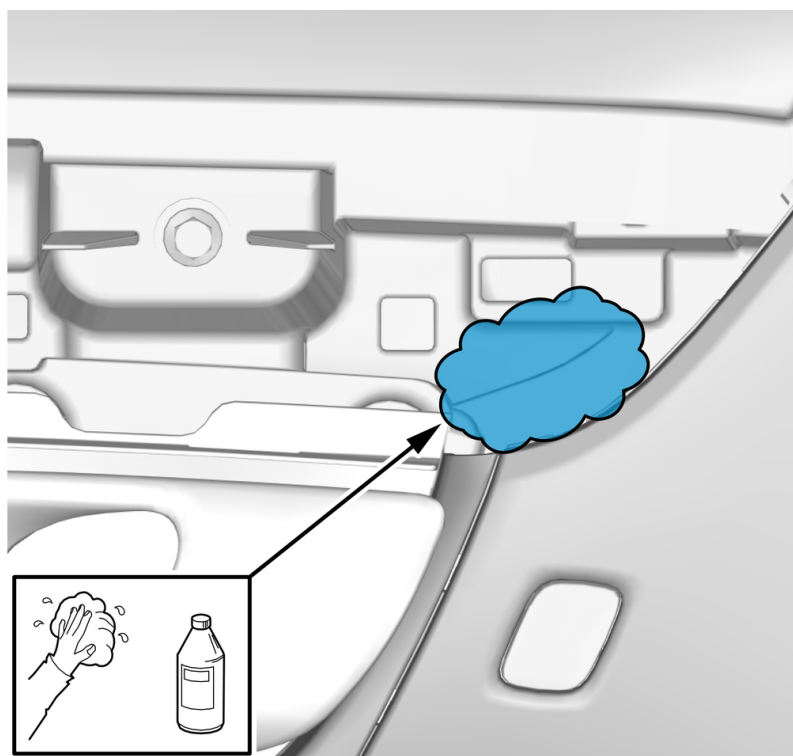
Detach the panel.

**Use:** Interior trim remover



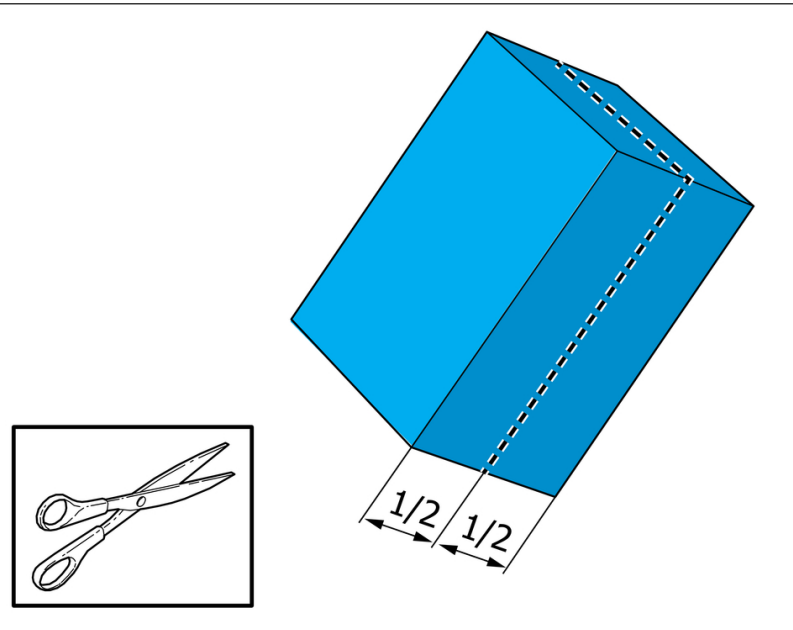
Remove the panel.

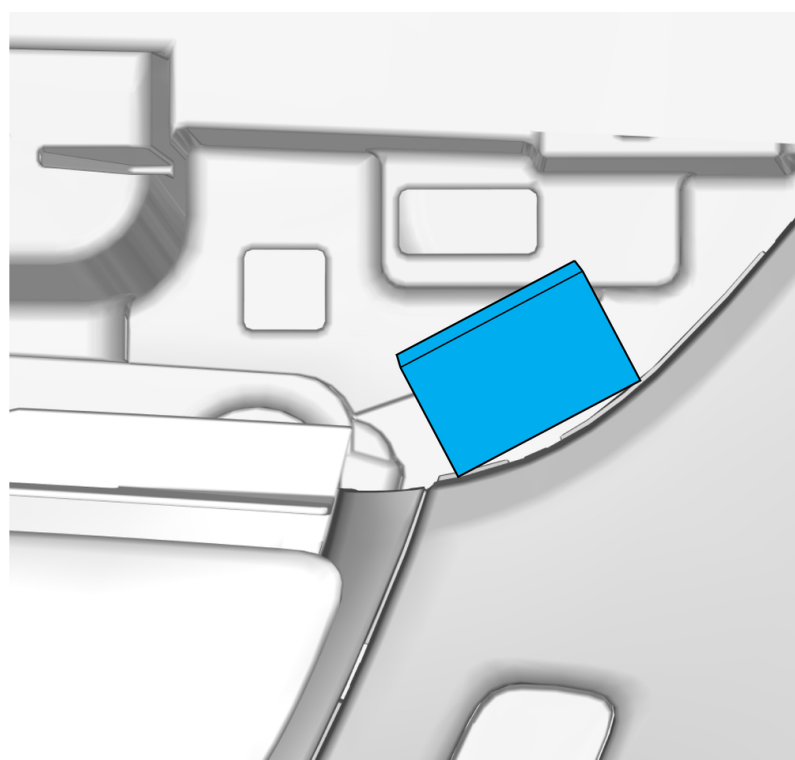
Disconnect the connector, if applicable.



Clean the marked area.

**Use:** Isopropanol ,





Remove the protective film.  
Install the marked component.

Reinstall the removed parts in reverse order.

Repeat all method steps for the other side.