



# Special Tools Bulletin

TITLE:

**Newsletter 74: Mandatory Tools**

NO: 221	ISSUE DATE: 2017-04-19	CAR MARKET: United States and Canada	Page 1 of 4
	STATUS DATE: 2017-04-19		

**“Right first time in Time”**

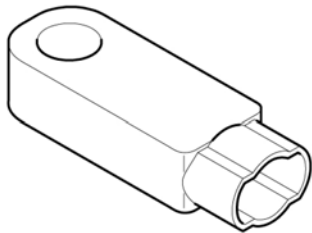
**Bosch Automotive Service Solutions**  
28635 Mound Road  
Warren, MI 48092  
Visit [volvodealersolutions.com](http://volvodealersolutions.com)  
Call 1-800-345-3399

All tools have been classified as required, and will be allocated to all U.S. and Canadian Volvo retailers by Bosch Corporation. U.S. retailers will be billed by Volvo Cars of North America, LLC.

**Overview of kit 33300301:**

<u>Art No.</u>	<u>Description</u>	<u>Standard</u>
9513107	SRS resistant	C1
9997627	Drift	C1
9997628	Counterhold	C1
9997629	Drift	C1
9997630	Pulling Rod	C1
9997632	Support	C1-Electric
9997633	Counterhold	C1-Electric
9997634	Drift	C1-Electric
9997635	Counterhold	C1-Electric
9997636	Drift	C1-Electric

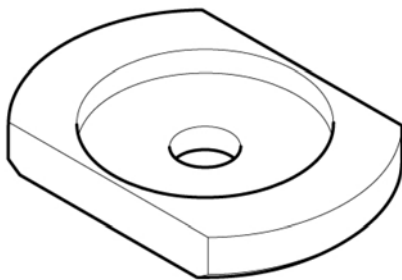
Service Personnel: Read and initial	SERVICE MANAGER	PARTS MANAGER	WORKSHOP FOREMAN	SERVICE TECHNICIANS											



## 9513107 SRS resistant

SRS dummy for troubleshooting the SRS system (Supplementary Restraint System).

<b>Tool standard</b>	C1
<b>Tool group</b>	39.0
<b>Tool bulletin</b>	398
<b>Model</b>	S90 (17-), V90 (17-), XC90 (16-)
<b>Tool board</b>	39 Electrical Cabinet



## 9997627 Drift

Used for removal of bushes in the final drive, rear subframe. Working together with Counterhold 9997628.

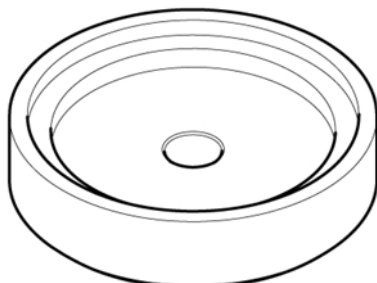
<b>Tool standard</b>	C1
<b>Tool group</b>	65.0
<b>Tool bulletin</b>	397
<b>Model</b>	XC90 (16-), S90 (17-), V90 (17-), V90CC (17-), all AWD
<b>Tool board</b>	65



## 9997628 Counterhold

Used for removal and installation of bearings in final drive subframe rear. Working together with Drift 9997627 and Drift 9997629.

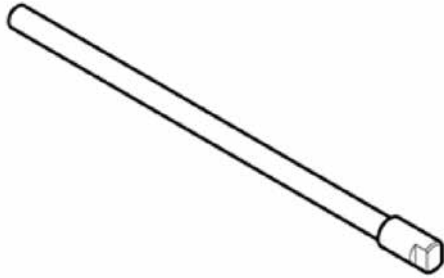
<b>Tool standard</b>	C1
<b>Tool group</b>	65.0
<b>Tool bulletin</b>	397
<b>Model</b>	XC90 (16-), S90 (17-), V90 (17-), V90CC (17-), all AWD
<b>Tool board</b>	65



## 9997629 Drift

Used for mounting the bushings in the final drive subframe rear. Working together with Counterhold 9997628.

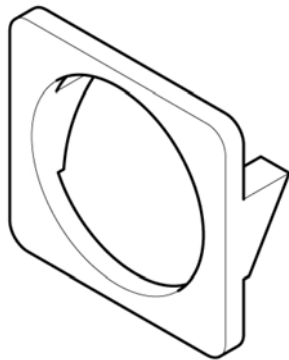
<b>Tool standard</b>	C1
<b>Tool group</b>	65.0
<b>Tool bulletin</b>	397
<b>Model</b>	XC90 (16-), S90 (17-), V90 (17-), V90CC (17-), all AWD
<b>Tool board</b>	65



## 9997630 Pulling Rod

New dimension to the Pulling Rod (M12/M16, L = 280 mm).  
Working together with Hydraulic Pump 9512566 and Hydraulic Cylinder 9512923.

<b>Tool standard</b>	C1
<b>Tool group</b>	65.0
<b>Tool bulletin</b>	397
<b>Model</b>	XC90 (16-), S90 (17-), V90 (17-), V90CC (17-), all AWD
<b>Tool board</b>	65



## 9997632 Support

To assist in the removal of bushings ERAD subframe rear.  
Working together with Drift 9997634 and Counterhold 9997633.

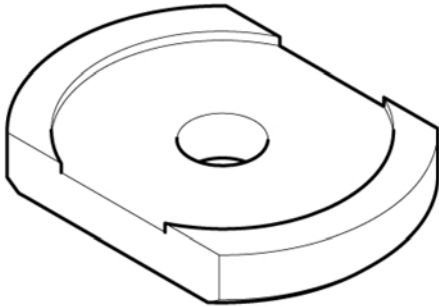
<b>Tool standard</b>	C1-Electric
<b>Tool group</b>	65.0
<b>Tool bulletin</b>	397
<b>Model</b>	XC90 (16-), S90 (17-), V90 (17-), all FWD
<b>Tool board</b>	65



## 9997633 Counterhold

Used to remove and install bushings ERAD subframe rear.  
Working together with Support 9997632 and Drift 9997634.

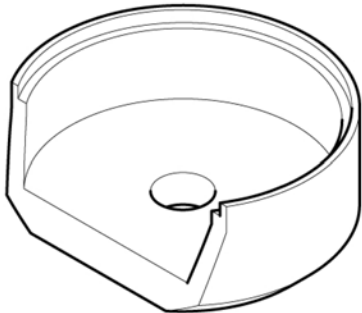
<b>Tool standard</b>	C1-Electric
<b>Tool group</b>	65.0
<b>Tool bulletin</b>	397
<b>Model</b>	XC90 (16-), S90 (17-), V90 (17-), all FWD
<b>Tool board</b>	65



## 9997634 Drift

Used for removal of bushings ERAD subframe rear. Working together with Support 9997632 and Counterhold 9997633.

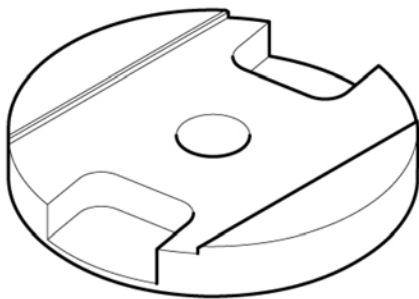
<b>Tool standard</b>	C1-Electric
<b>Tool group</b>	65.0
<b>Tool bulletin</b>	397
<b>Model</b>	XC90 (16-), S90 (17-), V90 (17-), all FWD
<b>Tool board</b>	65



## 9997635 Counterhold

Used when mounting bushings ERAD subframe rear. Working with Drift 9997636.

<b>Tool standard</b>	C1-Electric
<b>Tool group</b>	65.0
<b>Tool bulletin</b>	397
<b>Model</b>	XC90 (16-), S90 (17-), V90 (17-), all FWD
<b>Tool board</b>	65



## 9997636 Drift

Used when mounting bushings ERAD subframe rear. Working with Counterhold 9997635.

<b>Tool standard</b>	C1-Electric
<b>Tool group</b>	65.0
<b>Tool bulletin</b>	397
<b>Model</b>	XC90 (16-), S90 (17-), V90 (17-), all FWD
<b>Tool board</b>	65