



This Service Information bulletin supersedes SI B16 01 04 **dated February 2004.**

NEW designates changes to this revision

SUBJECT

NEW **E46 SULEV (PZEV): Non-Claim Related Replacements - Fuel Tank Disposal Procedure**

MODEL

NEW E46 (3 Series with the M56 engine)

NEW INFORMATION

E46 M56 engine vehicles, in addition to meeting the SULEV (Super Ultra Low Emission) tailpipe emission standard, also conform to Zero Evaporative Emissions norms.

In order to meet these strict standards, these SULEV (PZEV) fuel tanks are completely sealed units and are constructed with high-grade stainless steel.

NEW SITUATION

As outlined in [SI B01 03 14](#), starting in March 2014, the initial phase of the E46 SULEV (PZEV) fuel tank remanufacturing process will begin.

When this fuel tank is replaced and a corresponding claim is submitted for reimbursement, BMW NA **will** request that the fuel tank be returned to the Warranty Parts Return Center (WPRC) after claim payment.

Please ensure that your workshop technicians and Parts department personnel handle the removed fuel tank(s) properly to avoid unnecessary damage.

The fuel tank disposal procedure outlined in the bulletin applies only to non-claim related tank replacements. BMW NA will not request that these tanks be returned to the WPRC.

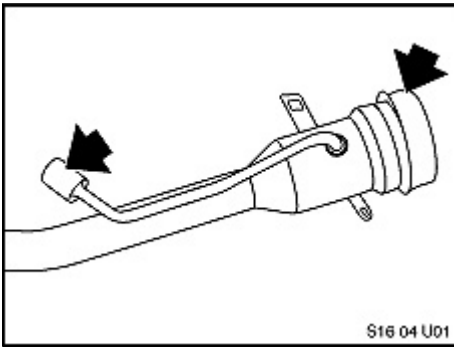
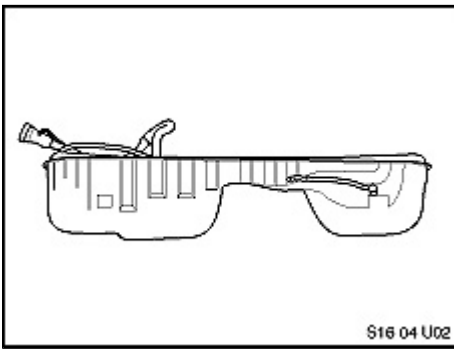
NEW PROCEDURE

In the case of a non-claim related fuel tank replacement on an E46 3 Series M56 SULEV (PZEV) engine vehicle, the following disposal procedure must be performed prior to **scrapping a non-returned requested** fuel tank.

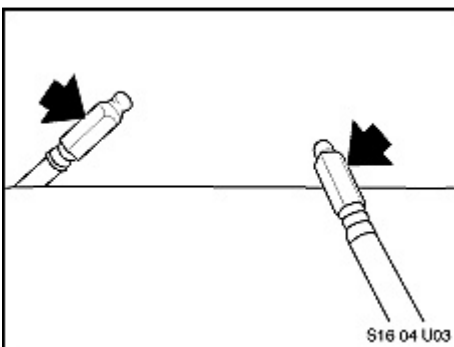
BEFORE STARTING AND WHILE CONDUCTING THE STEEL FUEL TANK DISPOSAL PROCEDURE, FOLLOW ALL LOCAL AND STATE LAWS AND REGULATIONS PERTAINING TO HANDLING OF FLAMMABLE LIQUIDS.

DO NOT USE ANY ELECTRICALLY POWERED TOOLS OR OPEN-FLAME DEVICES (E.G., ACETYLENE TORCHES) DURING THIS PROCEDURE.

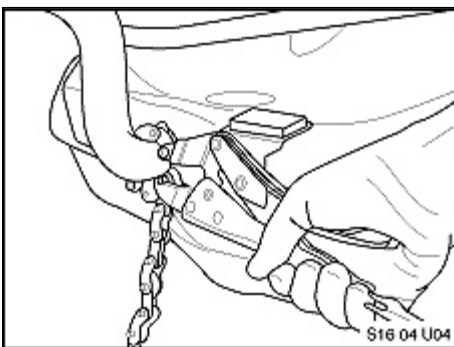
- | | |
|--|---|
| | <ol style="list-style-type: none"> 1. As a safety precaution, when handling fuel tank always wear safety goggles and plastic (not latex) gloves, Nitrile preferred. 2. Remove defective fuel tank from the vehicle and place it on a workbench in an area where good ventilation is provided. |
|--|---|



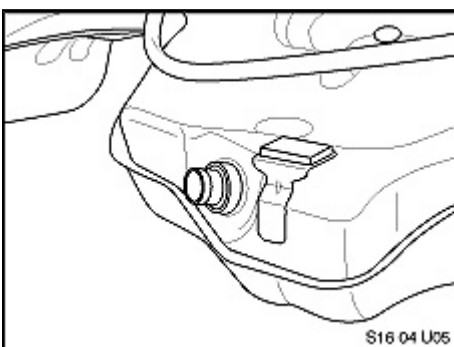
3. To prevent fuel vapors from escaping from the tank, use the plastic covers from the replacement tank to plug the filler neck and the filler vent line.



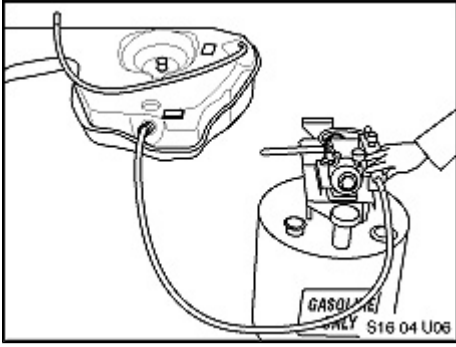
4. Also use the plastic covers from the replacement tank to plug the fuel outlet line and tank vent line.



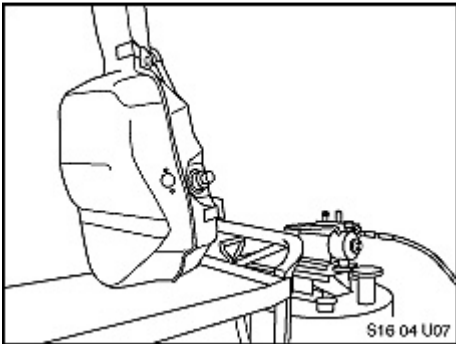
5. Using a good quality pipe cutter (e.g. Exhaust Pipe Cutter PN 90 88 6 002 210), cut the fuel fill pipe at approximately 1" from the tank.



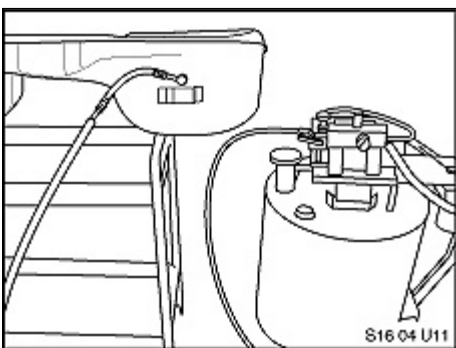
6. Dispose stainless steel fill pipe.



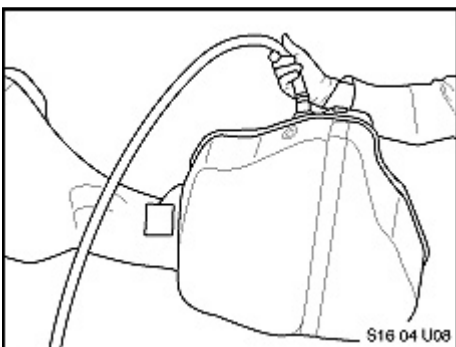
7. Using an air or hand-operated , portable fuel transfer system (e.g. Tempo 30-FM-3200-GA listed in 2002 BMW Equipment Program Catalog), evacuate all fuel from the right side of the tank through the fill pipe inlet.



8. Carefully lift up the left side of the tank to allow fuel transfer to the right half of the tank (the one with filler inlet).
9. Again, remove all remaining fuel using the air-operated fuel transfer pump system.



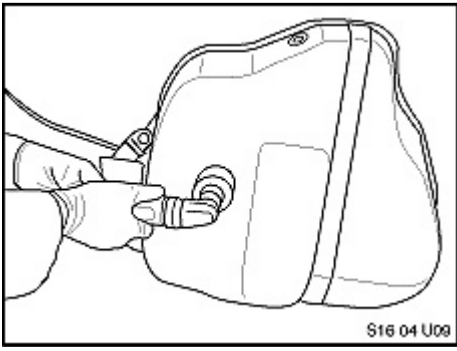
10. Evacuate all fuel remaining in the fuel filter and outlet line by connecting the air-operated transfer pump to the tank output line.



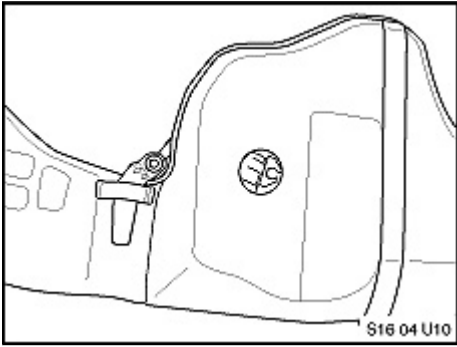
11. After all the fuel has been evacuated, place the tank in an upright position (filler inlet up) and fill it with water until water starts overflowing from the filler neck.

12. Maintaining tank's upright position and full water content, using an air-powered drill with a 2 1/2" hole saw drill a hole at the bottom side of the tank (on the filler inlet side).

DO NOT USE ANY ELECTRICALLY POWERED CUTTING DEVICES.



Dispose water in accordance to the local and state laws and regulations.



13. After cutting the filler pipe and drilling the opening in the bottom, the fuel tank does not pose any environmental threat and may be safely scrapped.

NEW WARRANTY INFORMATION

Not applicable.

[Copyright ©2014 BMW of North America, Inc.]