

Noise Symptom - Clicking Noise From Brake When Changing Direction: Replacing retainer spring for brake pad (SY 88/18)

Model Line: **Cayenne (9YA)**

Model Year: **As of 2018 up to 2019**

- Equipment:
- **Front disc brake, disc diameter: 20 inches, brake caliper painted white (PSCB) (I-no. 1ZI)**
 - **Front disc brake, disc diameter: 21 inches, brake caliper painted yellow (PCCB) (I-no. 1ZV)**
 - **Front disc brake, disc diameter: 20 inches, brake caliper painted green (PSCB) (I-no. 1ZU)**
 - **Front disc brake, disc diameter: 21 inches, brake caliper painted green (PCCB) (I-no. 1ZW)**

Subject: **Retainer spring for front brake pad**

Symptom: A clicking noise can come from around the front axle when changing direction of travel or when braking suddenly while driving slowly.

Cause: During load changes or changes in direction, the brake pads can hit against the brake caliper and cause the clicking noise.



Information

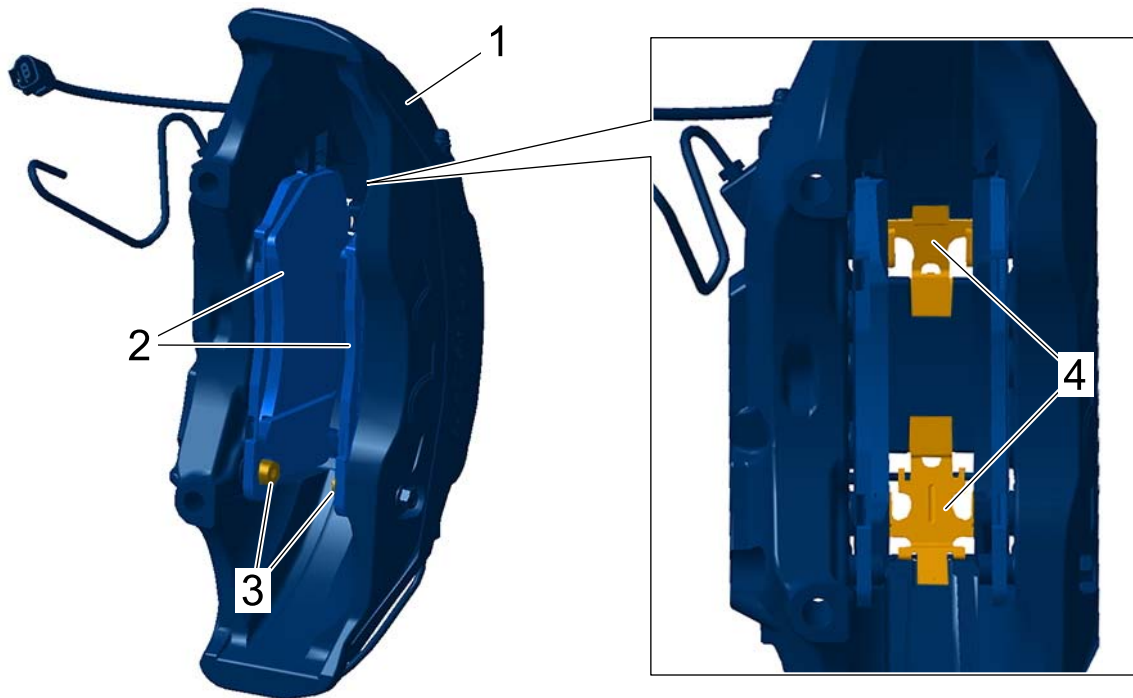
The following points must be observed in relation to the part numbers listed below and the relevant vehicle (depending on equipment):

- **Particular/modified components**, whose part numbers are listed accordingly, are **required for the remedial action**.
- **Part number indexes will increase over time**. Before performing repairs, cross reference with PET (Porsche Spare Parts Catalog), for newer parts (higher index).
- **PET must be checked** to determine if additional components are needed.

Parts Info: **971.698.231 A** ⇒ Springs (set)

Remedial Action: In the event of a customer complaint, replace the existing retainer springs for the brake pads with new **rubber-coated** retainer springs (⇒ *Brake caliper -4-*), see:

⇒ *Workshop Manual '463456 Replacing front PCCB brake pads'*



Brake caliper

Invoicing: The work involved is invoiced under the labor operation:

APOS	Labor operation	I No.
46345600	Replacing front PCCB brake pads	

For invoicing and documentation using PQIS, enter the following coding:

Location (FES5)	47390	Front brake caliper
Damage type (SA4)	2015	clicking

References: ⇒ *Workshop Manual '463456 Replacing front PCCB brake pads'*

Important Notice: Technical Bulletins issued by Porsche Cars North America, Inc. are intended only for use by professional automotive technicians who have attended Porsche service training courses. They are written to inform those technicians of conditions that may occur on some Porsche vehicles, or to provide information that could assist in the proper servicing of a vehicle. Porsche special tools may be necessary in order to perform certain operations identified in these bulletins. Use of tools and procedures other than those Porsche recommends in these bulletins may be detrimental to the safe operation of your vehicle, and may endanger the people working on it. Properly trained Porsche technicians have the equipment, tools, safety instructions, and know-how to do the job properly and safely. Part numbers listed in these bulletins are for reference only. The work procedures updated electronically in the Porsche PIWIS diagnostic and testing device take precedence and, in the event of a discrepancy, the work procedures in the PIWIS Tester are the ones that must be followed.

© Porsche Cars North America, Inc.