

Power Sliding Door Cable Replacement

Service Category Vehicle Exterior

Section Door/Hatch

Market USA

Toyota Supports
 ASE Certification 

Applicability

YEAR(S)	MODEL(S)	ADDITIONAL INFORMATION
2011 - 2018	Sienna	

Introduction

Some 2011 – 2018 model year Sienna vehicles may exhibit a condition where the power sliding door cable becomes separated, causing the power sliding door to become inoperative. Follow the Repair Procedure in this bulletin to reduce this condition.

Warranty Information

OP CODE	DESCRIPTION	TIME	OFF	T1	T2
BD1814	R & R Power Sliding Door Cable (One Side)	0.8	85015-08010	72	12
Combo A	Opposite Side	0.7	85016-08010		

APPLICABLE WARRANTY

- This repair is covered under the Toyota Basic Warranty. This warranty is in effect for 36 months or 36,000 miles, whichever occurs first, from the vehicle's in-service date.
- Warranty application is limited to occurrence of the specified condition described in this bulletin.

Parts Information

PART NUMBER		PART NAME	QTY
PREVIOUS	NEW		
85015-08010	85015-08011	Cable Sub-Assy, Power Slide Door, RH	1
68373-08020		Molding, Slide Rail End, RH	1
85016-08010	85016-08011	Cable Sub-Assy, Power Slide Door, LH	1
68374-08020		Molding, Slide Rail End, LH	1

Power Sliding Door Cable Replacement

Required Tools & Equipment

SPECIAL SERVICE TOOLS (SST)	PART NUMBER	QTY
Plastic Pry Tool Kit*	00002-06020-01	1

* Essential SST.

NOTE
Additional SSTs may be ordered by calling 1-800-933-8335.

Repair Procedure

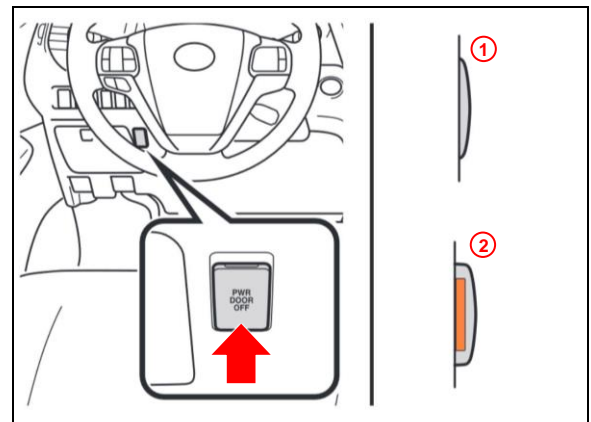
NOTE
RH door disassembly and assembly is shown. LH door disassembly and assembly is similar.

Disassembly

1. Deactivate the power sliding door system by switching the power sliding door main switch to the OFF position.

NOTE
The orange mark on the switch should NOT be visible when the switch is OFF.

Figure 1.



1	OFF
2	ON

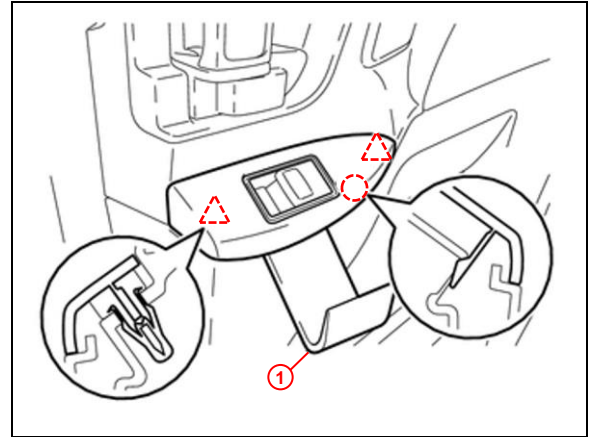
Power Sliding Door Cable Replacement

Repair Procedure (continued)

Disassembly (continued)

- Using a molding remover, disengage the claw and two clips, disconnect the power window switch electrical connector, and remove the rear door armrest base panel.

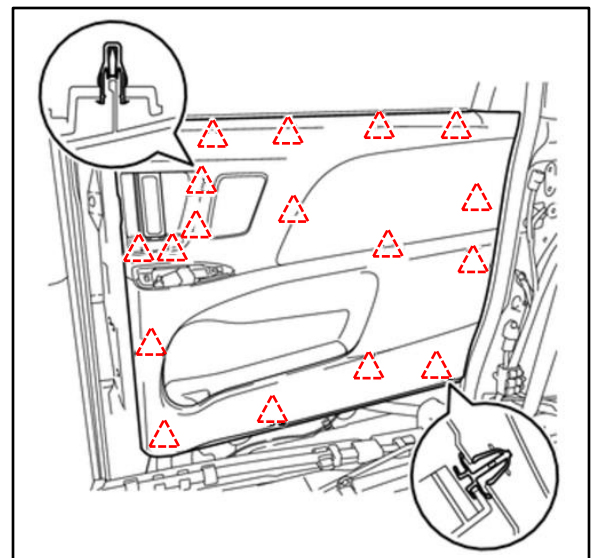
Figure 2.



1	Molding Remover
	Claw
	Clip

- Disengage the 17 clips and remove the rear door trim board sub-assembly.

Figure 3.



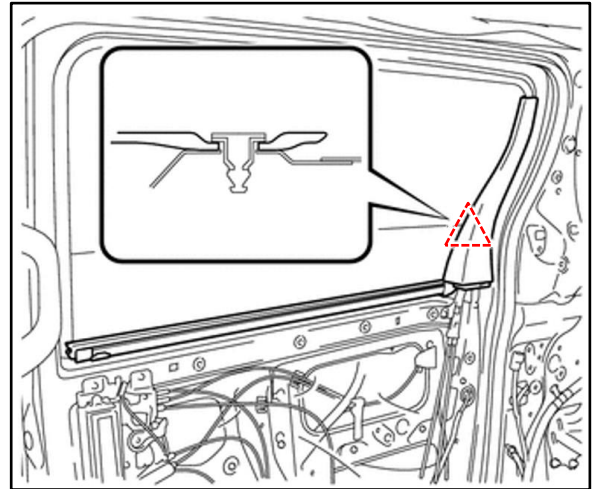
Power Sliding Door Cable Replacement

Repair Procedure (continued)

Disassembly (continued)

4. Remove the clip and the rear door glass weatherstrip inner with slide door window garnish.

Figure 4.

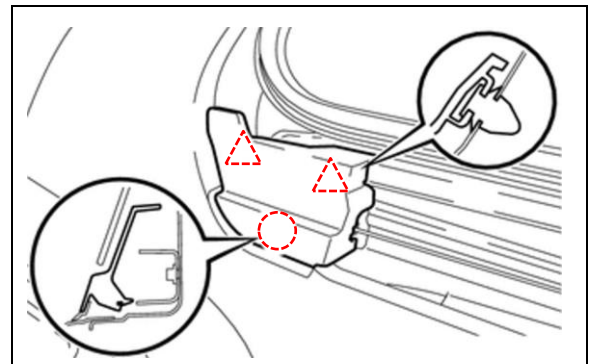




5. Disengage the claw and two clips and remove the slide rail end molding.

NOTE

Open the rear quarter glass to access the slide rail end molding.

Figure 5.



	Claw
	Clip

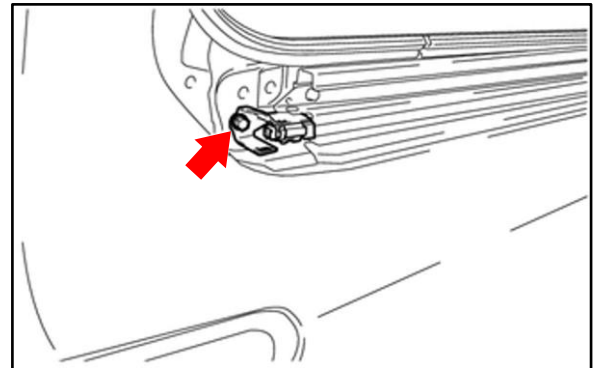
Power Sliding Door Cable Replacement

Repair Procedure (continued)

Disassembly (continued)

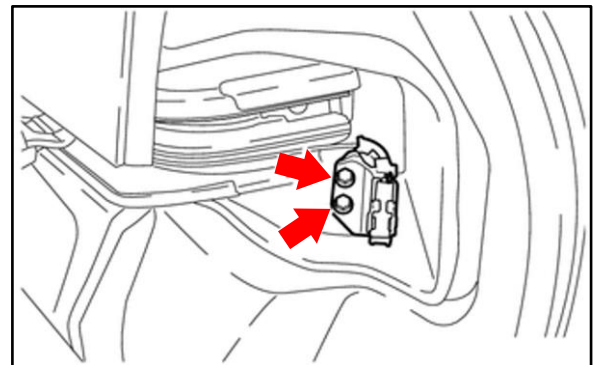
6. Remove the power slide door cable assembly.
 - A. Remove the bolt, depress the two tabs, and remove the No. 2 center bracket from the sliding door cable assembly.

Figure 6.



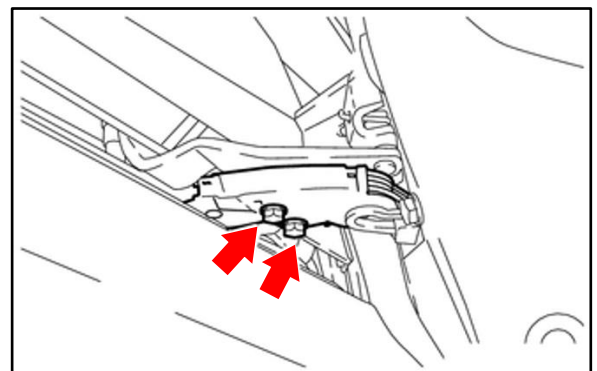
- B. Remove the two bolts, depress the two tabs, and remove the No.1 center bracket from the sliding door cable assembly.

Figure 7.



- C. Remove the two bolts from the sliding door center hinge.

Figure 8.



NOTICE

Be careful to not scratch or damage surrounding painted surfaces while removing.

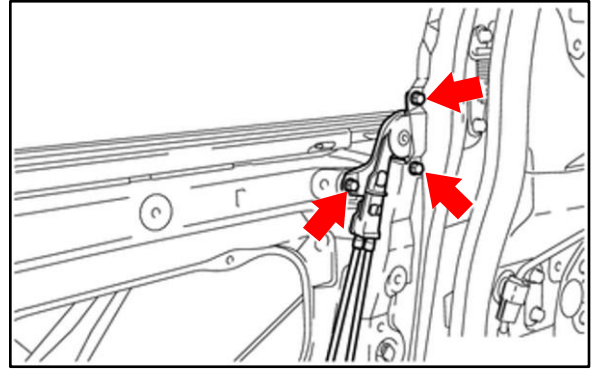
Power Sliding Door Cable Replacement

Repair Procedure (continued)

Disassembly (continued)

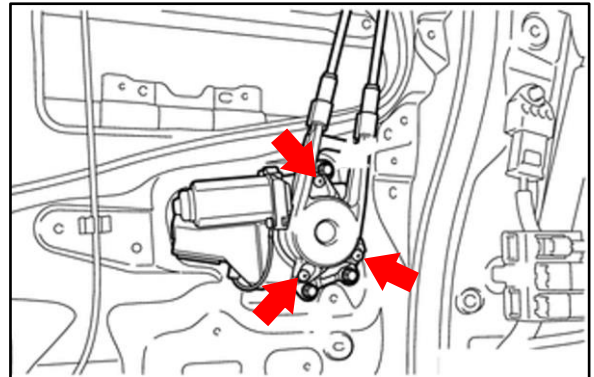
- D. Remove the three bolts from the upper cable guide.
- E. Route the cable ends through the opening in the sliding door.

Figure 9.



- F. Remove the three screws from the sliding door cable assembly.
- G. Remove the power sliding door cable assembly.

Figure 10.



Power Sliding Door Cable Replacement

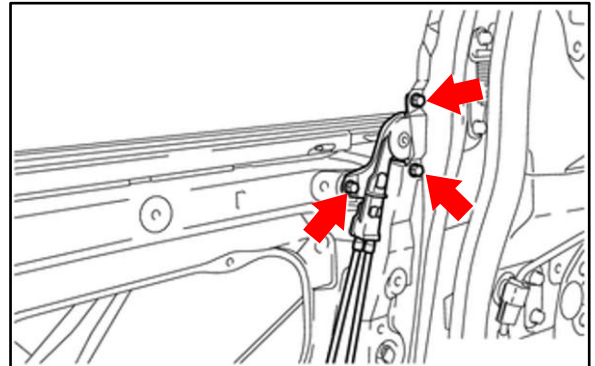
Repair Procedure (continued)

Installation

1. Install the NEW power slide door cable assembly.
 - A. Route the cable ends through the sliding door.
 - B. Install the three bolts to the upper cable guide.

Torque: 7.1 N*m (72 kgf*cm, 63 in*lbf)

Figure 11.



- C. Install the two bolts to the sliding door center hinge.

NOTE

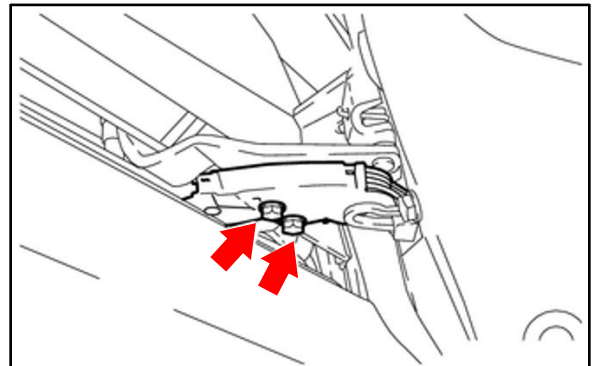
Ensure that the cables are NOT crossed AFTER installation.

Torque: 7.1 N*m (72 kgf*cm, 63 in*lbf)

NOTICE

Be careful to not scratch or damage surrounding painted surfaces while removing.

Figure 12.



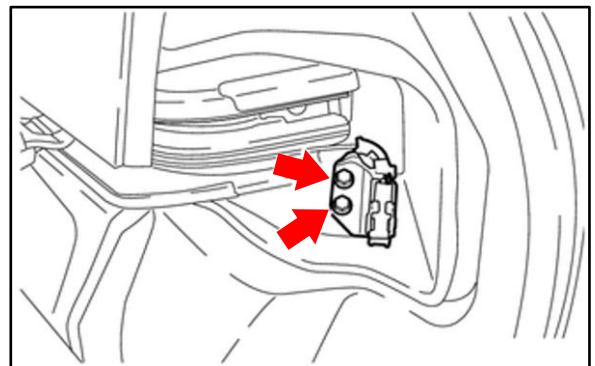
- D. Engage the two tabs on the cable end to the No. 1 center bracket, clip the cable guide to the No. 1 center bracket, install the two bolts, and install the No. 1 center bracket.

NOTICE

Ensure proper cable routing AFTER installation.

Torque: 7.5 N*m (76 kgf*cm, 66 in*lbf)

Figure 13.



Power Sliding Door Cable Replacement

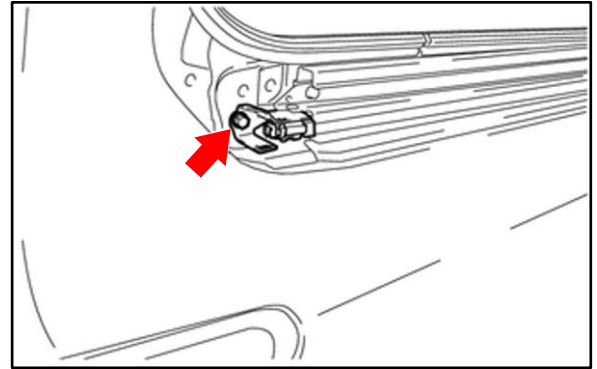
Repair Procedure (continued)

Installation (continued)

- E. Engage the two tabs on the cable end to the No. 2 center bracket, install the bolt, and install the No. 2 center bracket.

Torque: 7.5 N*m (76 kgf*cm, 66 in*lbf)

Figure 14.

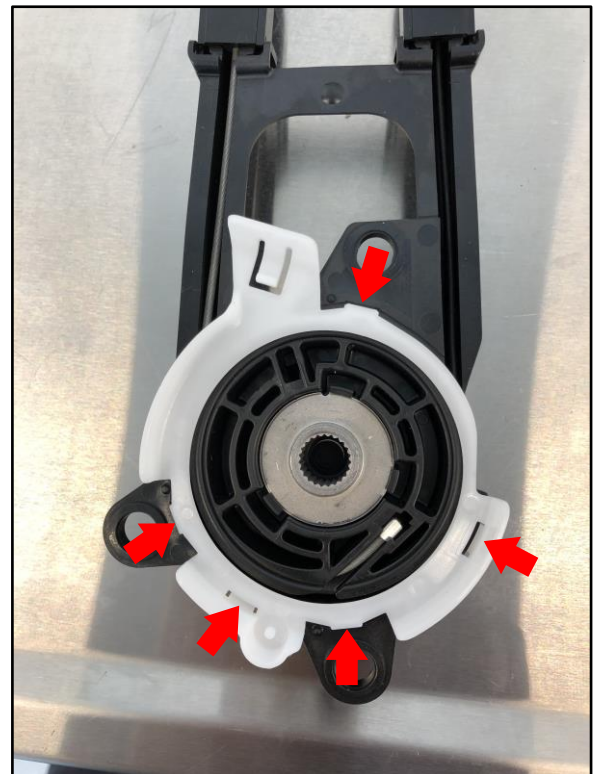


- F. Disengage the five tabs and remove the protective cover from the cable spool.

NOTE

Take care to prevent the spool from separating from the housing after the protective cover is removed.

Figure 15.



Power Sliding Door Cable Replacement

Repair Procedure (continued)

Installation (continued)

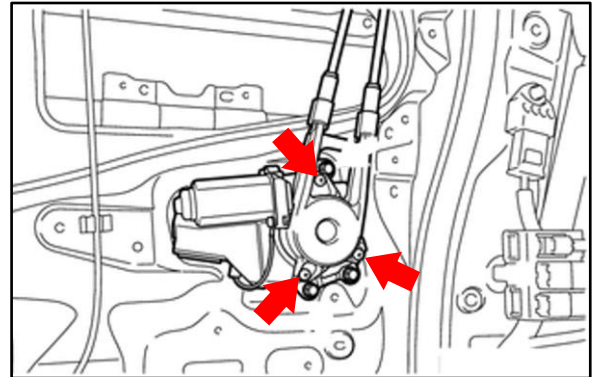
- G. Install the cable spool onto the power sliding door motor and install the three screws.

NOTE

Take care to prevent the spool from separating from the housing while installing the spool to the motor assembly.

Torque: 1.4 N*m (14 kgf*cm, 12 in*lbf)

Figure 16.



- 2. Test the power sliding door operation.
 - A. Temporarily activate the power sliding door system by switching the power sliding door main switch to the ON position and test for proper operation.

NOTE

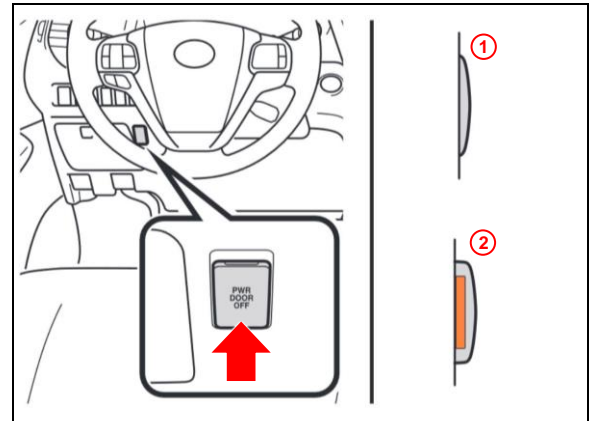
The orange mark on the switch should be visible when the switch is ON.

- B. Deactivate the power sliding door system by switching the power sliding door main switch to the OFF position, after testing for proper operation.

NOTE

The orange mark on the switch should NOT be visible when the switch is OFF.

Figure 17.



1	OFF
2	ON

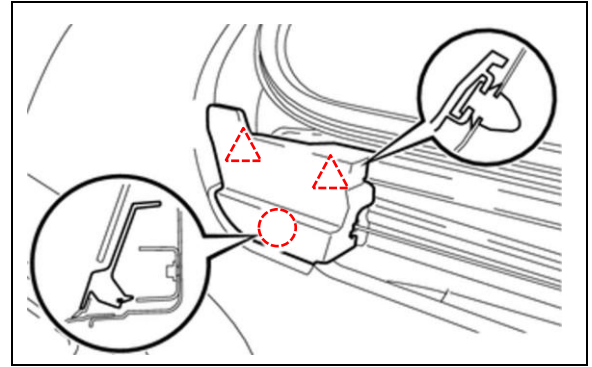
Power Sliding Door Cable Replacement



Repair Procedure (continued)

Installation (continued)

- Engage the claw and two clips and install the slide rail end molding.

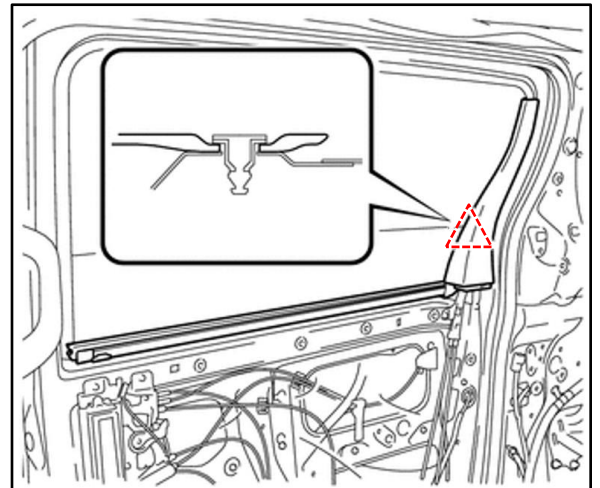
Figure 18.



	Claw
	Clip

- Engage the clip to install the rear door glass inner weatherstrip with slide door window garnish.

Figure 19.



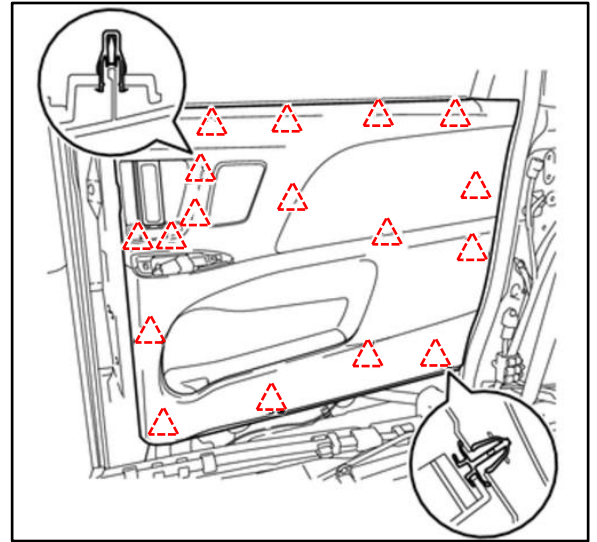
Power Sliding Door Cable Replacement

Repair Procedure (continued)

Installation (continued)

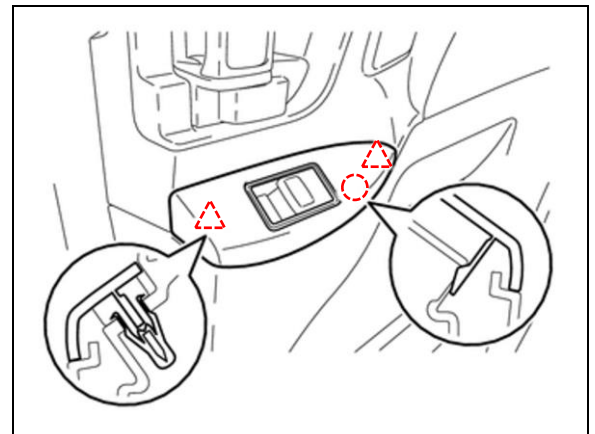
- Engage the 17 clips and install the rear door trim board.



Figure 20.



- Connect the power window switch connector.
- Engage the claw and two clips and install the rear door armrest base upper panel.

Figure 21.



	Clip
	Claw

- Enable the power sliding door system by switching the power sliding door main switch to the ON position.

NOTE

The orange mark on the switch should be visible when the switch is ON.