



SERVICE BULLETIN

Classification: EC14-003a	Reference: NTB14-044a	Date: January 10, 2019
------------------------------	--------------------------	---------------------------

2013 – 2018 SENTRA; MIL ON WITH DTC P0448

This bulletin has been amended. See Amendment History on the last page.
Please discard previous versions of this bulletin.

APPLIED VEHICLES: 2013-2018 Sentra (B17)

IF YOU CONFIRM

The MIL is ON with DTC P0448 (EVAP Canister Vent Control Valve).

ACTION

Replace the EVAP canister hose.

1. Remove the old EVAP canister hose and box-drain.
2. Drill a hole to secure the new EVAP canister hose.
3. Install the new EVAP canister hose.
4. Erase DTCs.

AND

Inspect the EVAP canister filter and EVAP canister and replace if water is present.

IMPORTANT: The purpose of ACTION (above) is to give you a quick idea of the work you will be performing. You **MUST** closely follow the entire SERVICE PROCEDURE as it contains information that is essential to successfully completing this repair.

Nissan Bulletins are intended for use by qualified technicians, not 'do-it-yourselfers'. Qualified technicians are properly trained individuals who have the equipment, tools, safety instruction, and know-how to do a job properly and safely. NOTE: If you believe that a described condition may apply to a particular vehicle, DO NOT assume that it does. See your Nissan dealer to determine if this applies to your vehicle.

SERVICE PROCEDURE

1. Remove the rear bumper fascia.
 - Refer to the Electronic Service Manual (ESM) for rear bumper fascia removal.
 - For PDF ESMs, go to section EXT-Exterior.
 - For HTML (Web based) ESMs, go to BODY EXTERIOR, DOORS, ROOF & VEHICLE SECURITY > EXTERIOR.

2. Locate the EVAP canister hose (hose) and box-drain behind the right rear bumper fascia.

NOTE: The tab in Figure 1 will be drilled later in the procedure.

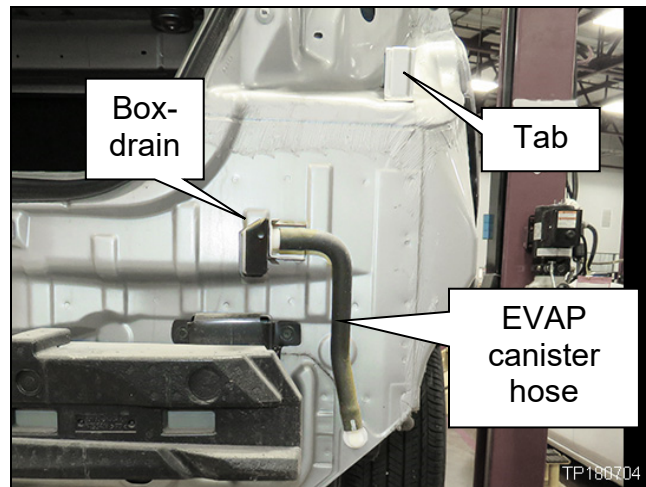


Figure 1

3. Remove the box-drain from the hose.
 - Pull to unsnap and remove.
- NOTE:** Box-drain will not be reused.
4. Remove the hose from the EVAP canister hose elbow (elbow).
 - Pull and twist to remove.

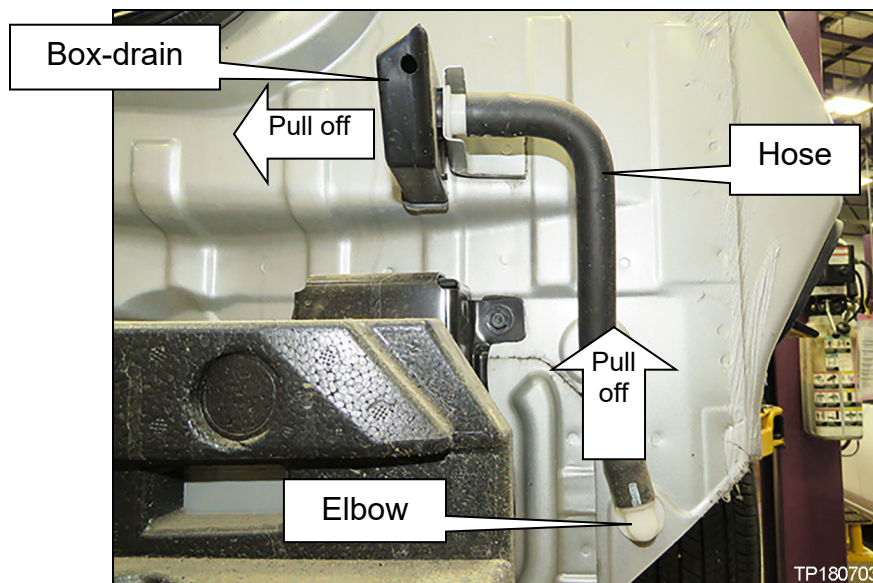


Figure 2

PREPARE TAB FOR DRILLING

5. Measure 27 mm from the bottom of the tab and make a mark.

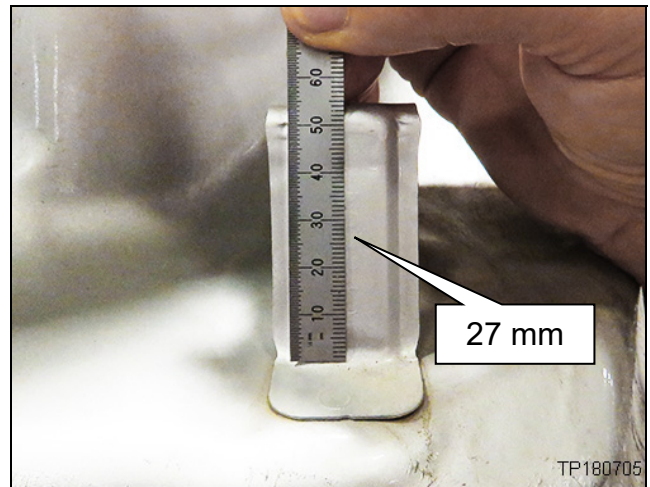


Figure 3

6. Measure 16 mm from either side of the tab and make a mark.

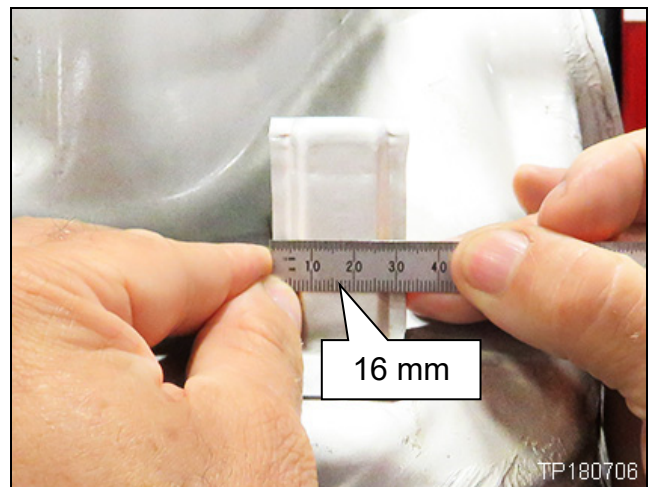


Figure 4

7. Verify the marks meet in the center of the tab.
 - Center point of tab (top-to-bottom and left-to-right).

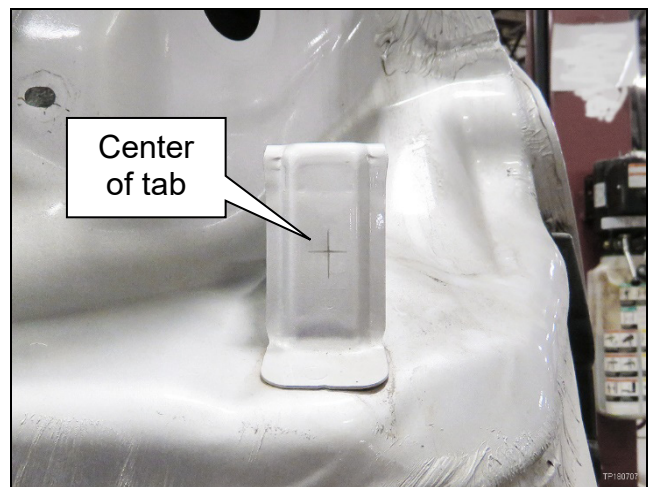


Figure 5

8. Use a 9 mm drill bit to drill a hole where the marks meet.



Figure 6

9. Apply touch-up paint to protect bare metal.

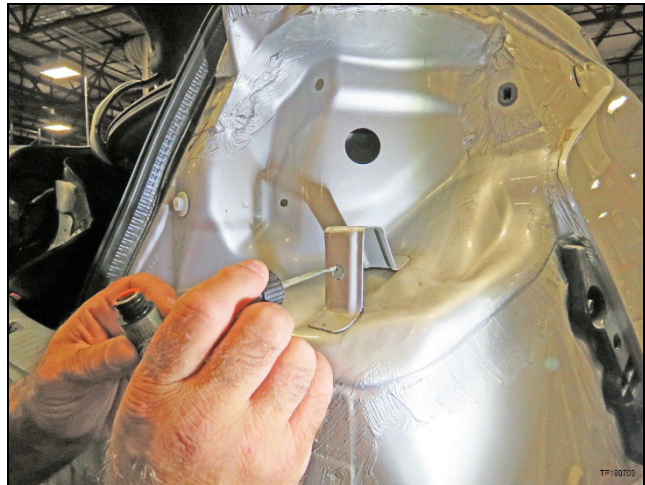


Figure 7

10. Install the new hose onto the elbow.

- Push and twist to install.

NOTE: The new hose is listed in the **PARTS INFORMATION** section of this bulletin.

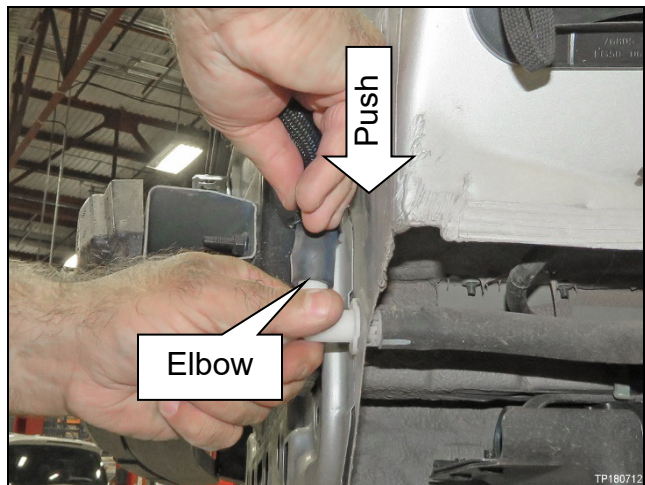


Figure 8

11. Insert the new hose clip into the 9 mm hole.

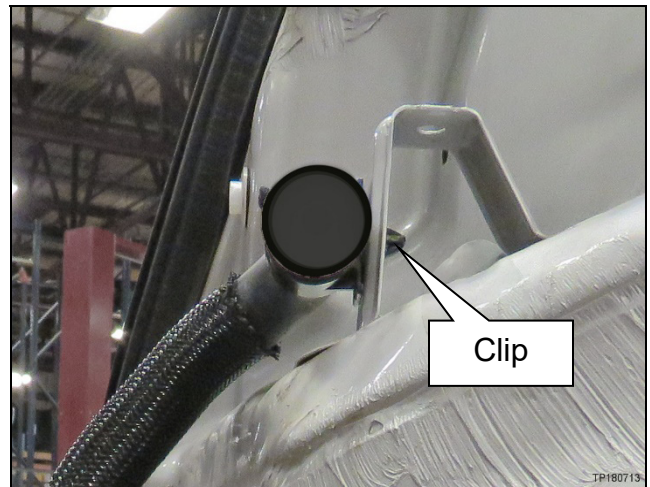


Figure 9

12. Transfer the debris guard from the OLD hose to the NEW hose.

- Twist and pull to remove.
- Twist and push to install.

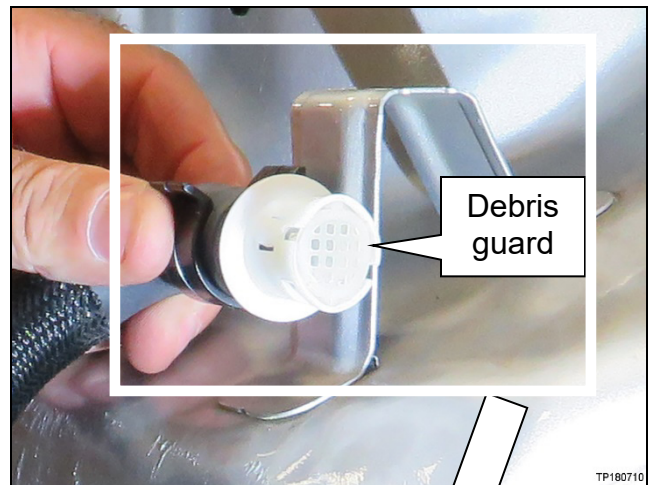


Figure 10

NOTE: New set up does not use a box-drain.



Figure 11

2014 – 2018 - INSPECT EVAP CANISTER AND EVAP CANISTER FILTER FOR WATER

2013 - SKIP TO STEP 15 TO INSPECT THE EVAP CANISTER FOR WATER

NOTE: EVAP canister filter for 2014-2018 Sentra is shown in Figure 12. For 2013 Sentra skip to step 15.

13. Remove the EVAP canister filter.

- Refer to Figure 14 and Figure 15 on the following pages and the Electronic Service Manual (ESM) for EVAP canister filter removal and installation.
 - For PDF ESMs, go to section FL - FUEL SYSTEM.
 - For HTML (Web based) ESMs, go to ENGINE > FUEL SYSTEM.

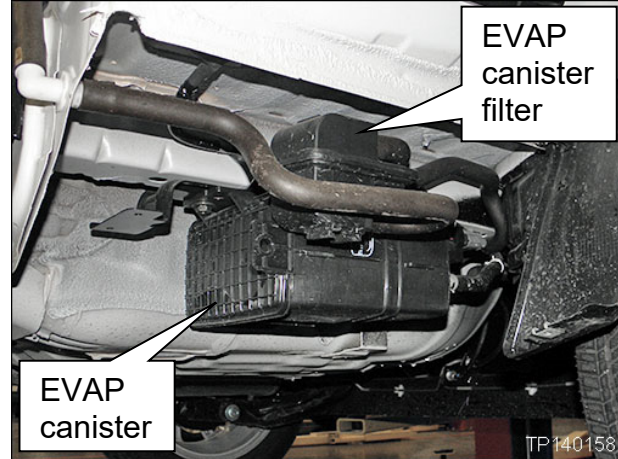


Figure 12

14. If water **IS** found in the EVAP canister filter, replace the EVAP canister filter and continue to step 15.

- If water is **NOT** found in the EVAP canister filter, re-install the EVAP canister filter and skip to step 17 on the next page.
- Refer to Figure 14 and Figure 15 on the following pages and the Electronic Service Manual (ESM) for EVAP canister filter removal and installation.
 - For PDF ESMs, go to section FL - FUEL SYSTEM.
 - For HTML (Web based) ESMs, go to ENGINE > FUEL SYSTEM.

15. Remove the EVAP canister and inspect for water.

- Refer to the Electronic Service Manual (ESM) for EVAP canister removal and installation.
 - For PDF ESMs, go to section FL - FUEL SYSTEM.
 - For HTML (Web based) ESMs, go to ENGINE > FUEL SYSTEM.

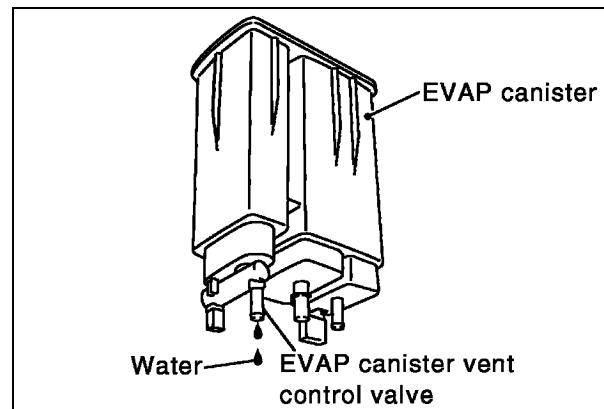


Figure 13

16. If water is found inside, replace the EVAP canister, EVAP control system pressure sensor, and EVAP canister vent control valve.

- Refer to the Electronic Service Manual (ESM) for EVAP canister, EVAP control system pressure sensor, and EVAP canister vent control valve removal and installation.
 - For PDF ESMs, go to section FL - FUEL SYSTEM.
 - For HTML (Web based) ESMs, go to ENGINE > FUEL SYSTEM.

NOTE: The EVAP canister, EVAP control system pressure sensor, and EVAP canister vent control valve are all listed in the **PARTS INFORMATION** section of this bulletin.

17. Install the rear bumper fascia.

- Refer to the Electronic Service Manual (ESM) for rear bumper fascia installation.
 - For PDF ESMs, go to section EXT-Exterior.
 - For HTML (Web based) ESMs, go to section BODY EXTERIOR, DOORS, ROOF & VEHICLE SECURITY > EXTERIOR.

18. Connect C-III plus VI to the vehicle.

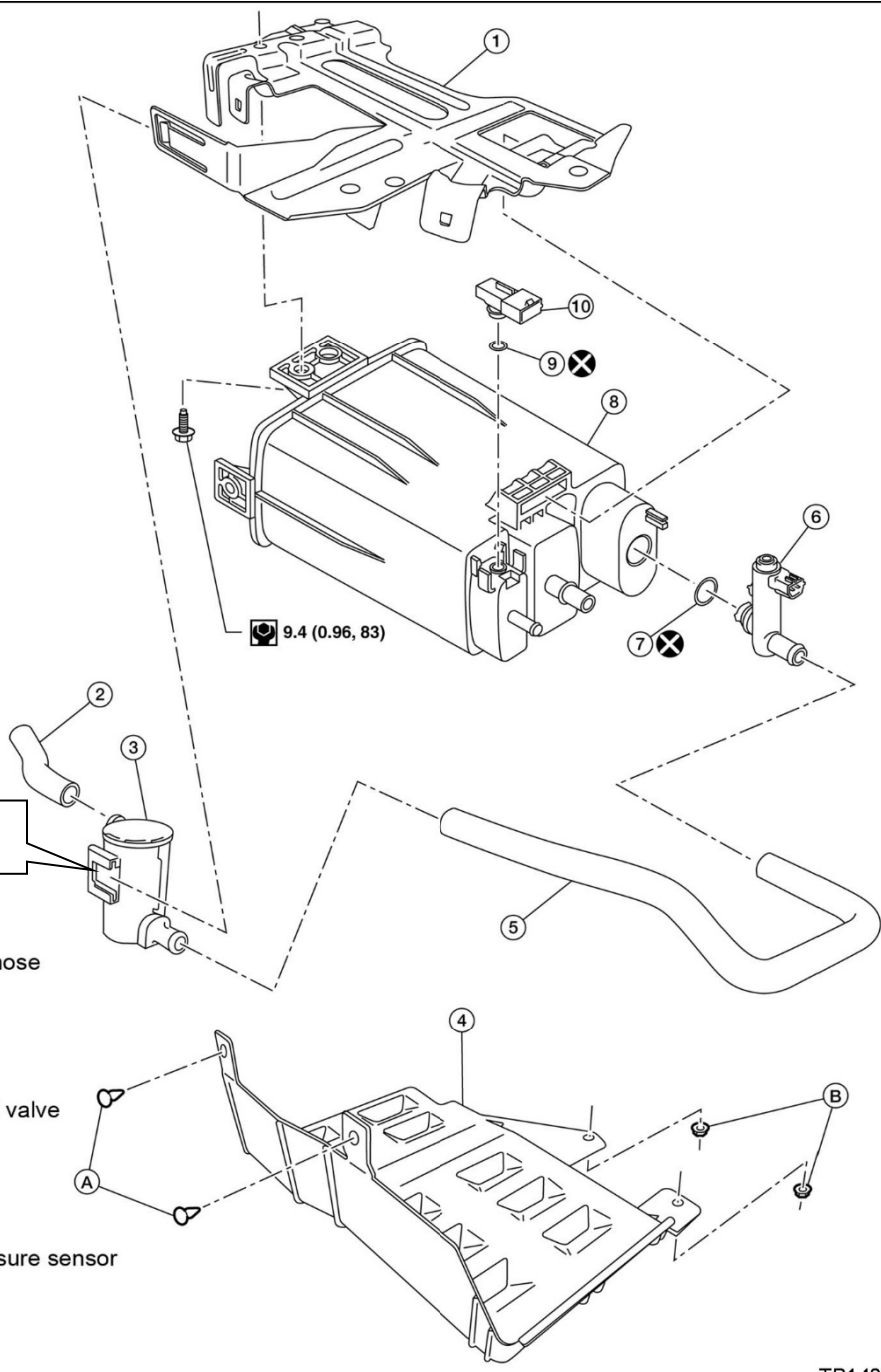
19. Open C-III plus on the CONSULT PC.

20. Erase DTCs.

2013 Sentra

EVAP canister Filter

- 1. EVAP canister bracket
- 2. EVAP canister filter drain hose
- 3. EVAP canister filter
- 4. EVAP canister protector
- 5. EVAP hose
- 6. EVAP canister vent control valve
- 7. O-ring
- 8. EVAP canister
- 9. O-ring
- 10. EVAP canister control pressure sensor
- A. Clip
- B. Nut



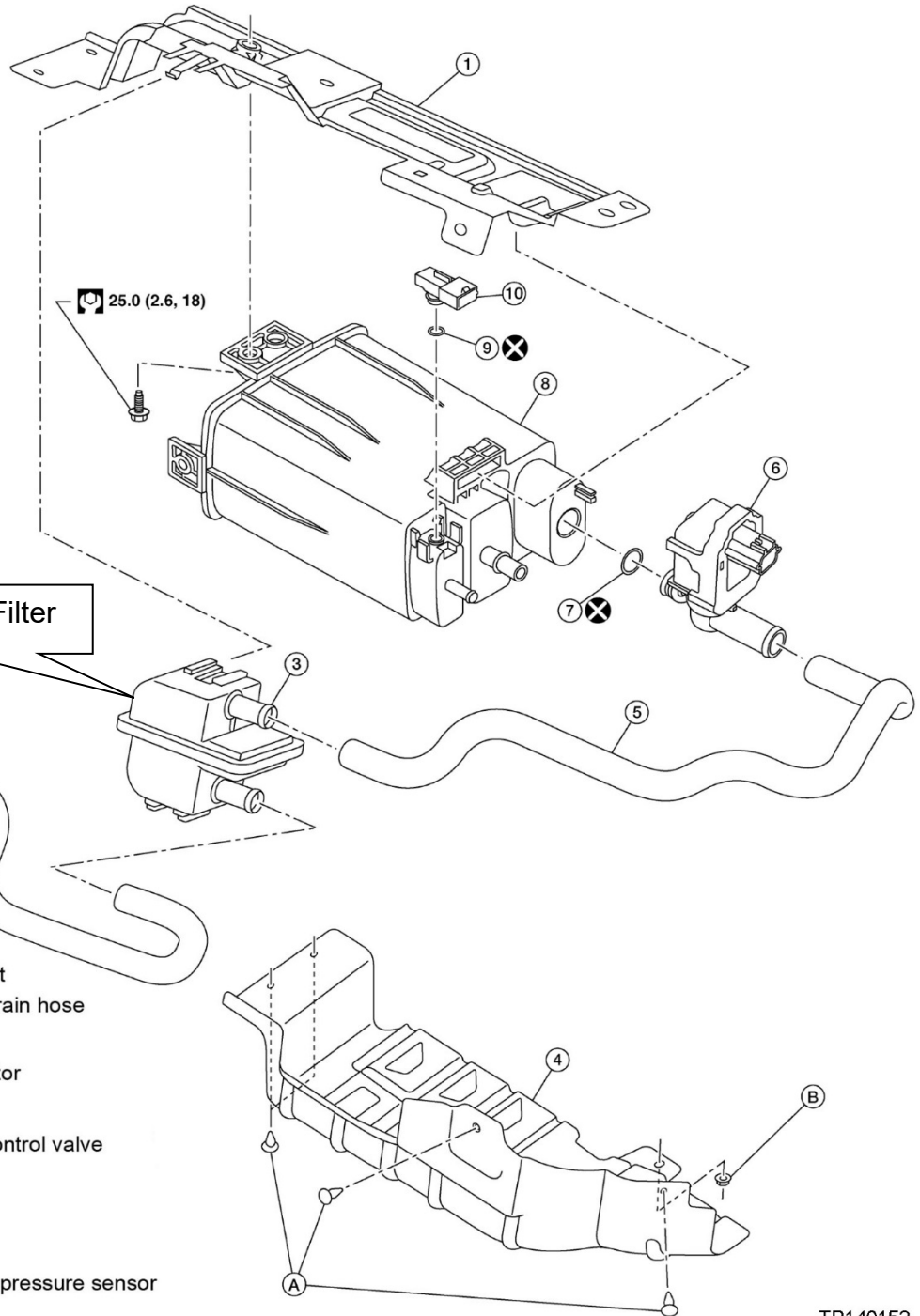
TP140151

Figure 14

**2014-2018
Sentra**

EVAP canister Filter

- A. Clip
- B. Nut
- 1. EVAP canister bracket
- 2. EVAP canister filter drain hose
- 3. EVAP canister filter
- 4. EVAP canister protector
- 5. EVAP hose
- 6. EVAP canister vent control valve
- 7. O-ring
- 8. EVAP canister
- 9. O-ring
- 10. EVAP canister control pressure sensor



TP140152

Figure 15

PARTS INFORMATION

DESCRIPTION	PART NUMBER	QUANTITY
EVAP emissions canister hose	18791 - 5UD0A	1
EVAP canister filter	14953 - 1LA0A	1 (as needed)
EVAP emissions canister	14950 - 1KC0A	1 (as needed)
EVAP canister vent control valve	14935 - JF00E	1 (as needed)
EVAP control system pressure sensor	22365 - 1TV1B	1 (as needed)

CLAIMS INFORMATION

Submit a Primary Part (PP) type line claim using the following claims coding:

DESCRIPTION	PFP	OP CODE	SYM	DIA	FRT
Replace EVAP canister hose	(1)	FX59AA	ZE	32	0.6*
Inspect additional components in part table		FX60AA			0.8*

(1) Refer to the electronic parts catalog (EPC), and use the EVAP Canister Hose 18791-**** as the Primary Failed Part (PFP).

*The FRT allows adequate time to access DTC code. No other diagnostic procedures subsequently required. Do Not claim any other diagnostic codes with this claim.

OR IF Replacement is Needed

DESCRIPTION	PFP	OP CODE	SYM	DIA	FRT
Replace EVAP canister hose	(1)	FX59AA	ZE	32	0.6*
Inspect and Replace additional components in part table		FX61AA			0.9*

(1) Refer to the Electronic Parts Catalog (EPC) and use the EVAP Canister Hose (18791-****) as the Primary Failed Part.

*The FRT allows adequate time to access DTC code. No other diagnostic procedures subsequently required. Do Not claim any other diagnostic codes with this claim.

AMENDMENT HISTORY

PUBLISHED DATE	REFERENCE	DESCRIPTION
May 16, 2014	NTB14-044	Original bulletin published
January 10, 2019	NTB14-044a	Procedure has been changed throughout