

Emergency Towing Eyelet Removal During PDS

Service Category General

Section Pre-Delivery Service

Market USA

Toyota Supports
 ASE Certification 

Applicability

YEAR(S)	MODEL(S)	ADDITIONAL INFORMATION
2020	Corolla, Corolla Hatchback, Corolla HV	

Introduction

Some 2020 model year Corolla, Corolla Hybrid, and Corolla Hatchback vehicles shipped from Japan may have front emergency towing eyelets installed to aid in transportation.

Remove the emergency towing eyelets during Pre-Delivery Service (PDS) using the procedure in this bulletin.

Warranty Information

OP CODE	DESCRIPTION	TIME	OFF	T1	T2
N/A	Not Applicable to Warranty	–	–	–	–

Emergency Towing Eyelet Removal During PDS

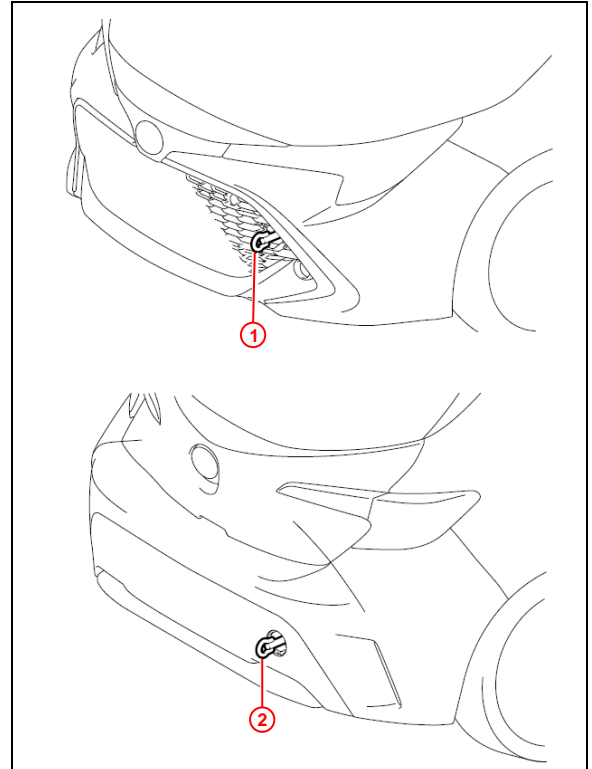
Removal and Installation Procedure

1. Remove the front and rear emergency towing eyelets from the front and rear bumpers by turning them counterclockwise.

NOTE

If it is difficult to loosen the front emergency towing eyelet, use a steel bar.

Figure 1.



1	Front Emergency Towing Eyelet
2	Rear Emergency Towing Eyelet

Emergency Towing Eyelet Removal During PDS

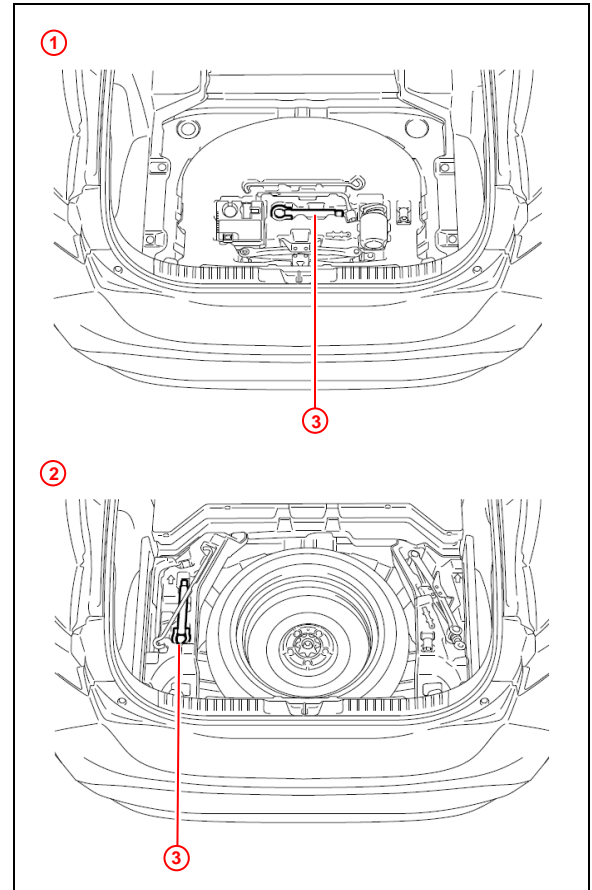
Removal and Installation Procedure (continued)

2. Place one of the removed emergency towing eyelets into the luggage tray in the luggage compartment.

NOTE

Dispose of the other removed emergency towing eyelet.

Figure 2.



1	Type A
2	Type B
3	Emergency Towing Eyelet

Emergency Towing Eyelet Removal During PDS

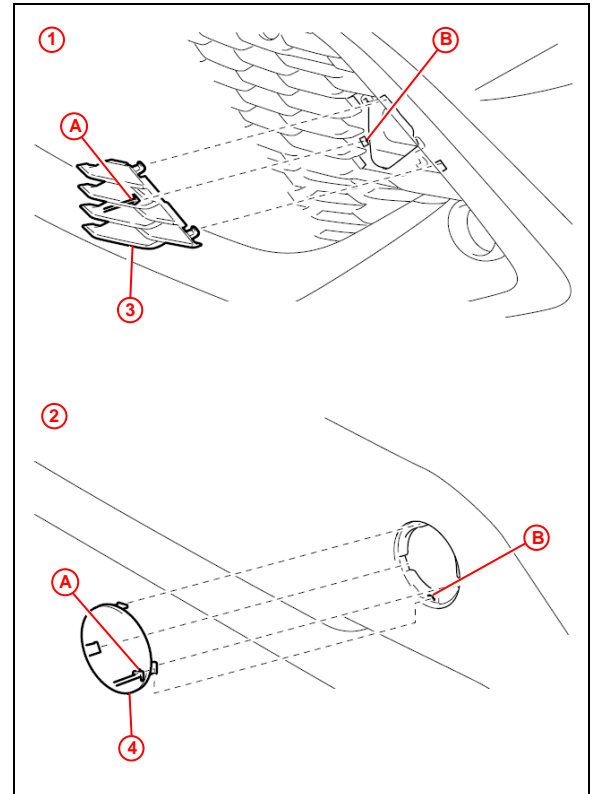
Removal and Installation Procedure (continued)

3. Install the front and rear emergency towing eyelet hole covers, which are stored in the glove box, on the front and rear bumpers.
 - A. Insert the arrow-shaped part of the emergency towing eyelet hole cover "A" into the eyelet hole "B" as shown.
 - B. Install the emergency towing eyelet hole cover to the hole of the bumper.

NOTE

Make sure the front emergency towing eyelet cover is installed in the front, and the rear emergency towing eyelet cover is installed in the rear.

Figure 3.



1	Front
2	Rear
3	Front Emergency Towing Eyelet Hole Cover
4	Rear Emergency Towing Eyelet Hole Cover
A	Arrow-shaped Part
B	Eyelet Hole