

Oil Loss/Leak on PDK Transmission: Observe different procedure (59/16)

Revision: This bulletin replaces bulletin Group 3, #59/16, dated October 26, 2018.

Model Year: **As of 2014 up to 2016**

Subject: **PDK transmission**

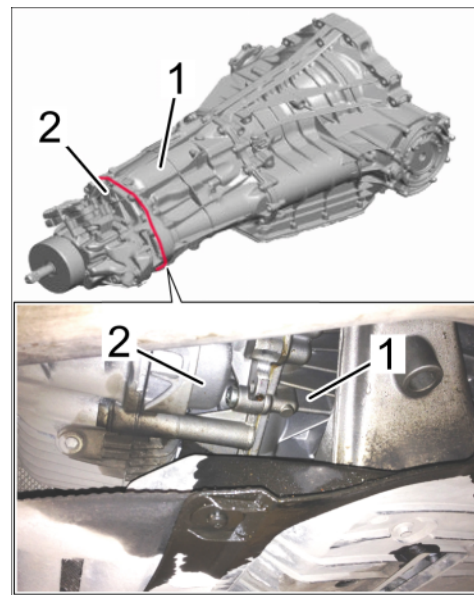
Information: **An oil leak can occur close to the connection point between the intermediate housing (⇒ Oil leak on PDK transmission -item 1-) and cover (⇒ Oil leak on PDK transmission -item 2-) on the PDK transmission due to manufacturing tolerances.**



Information

If there is a leak between the intermediate housing and cover before the specified date of introduction, the transmission must be replaced.

Sealing measures will not work.



Oil leak on PDK transmission

Materials: - Leak-locating spray (commercially available)

Work Procedure: 1 **Before doing any other work, check the serial number of the transmission:**

1.1 Raise the vehicle. ⇒ *Workshop Manual '4X00IN Lifting the vehicle'*

- 1.2 Remove cover for center underbody. ⇒ *Workshop Manual '519319 Removing and installing cover for centre underbody'*
- 1.3 **The serial number is stamped on the right-hand side of the transmission in direction of travel:**

Cut-off value:

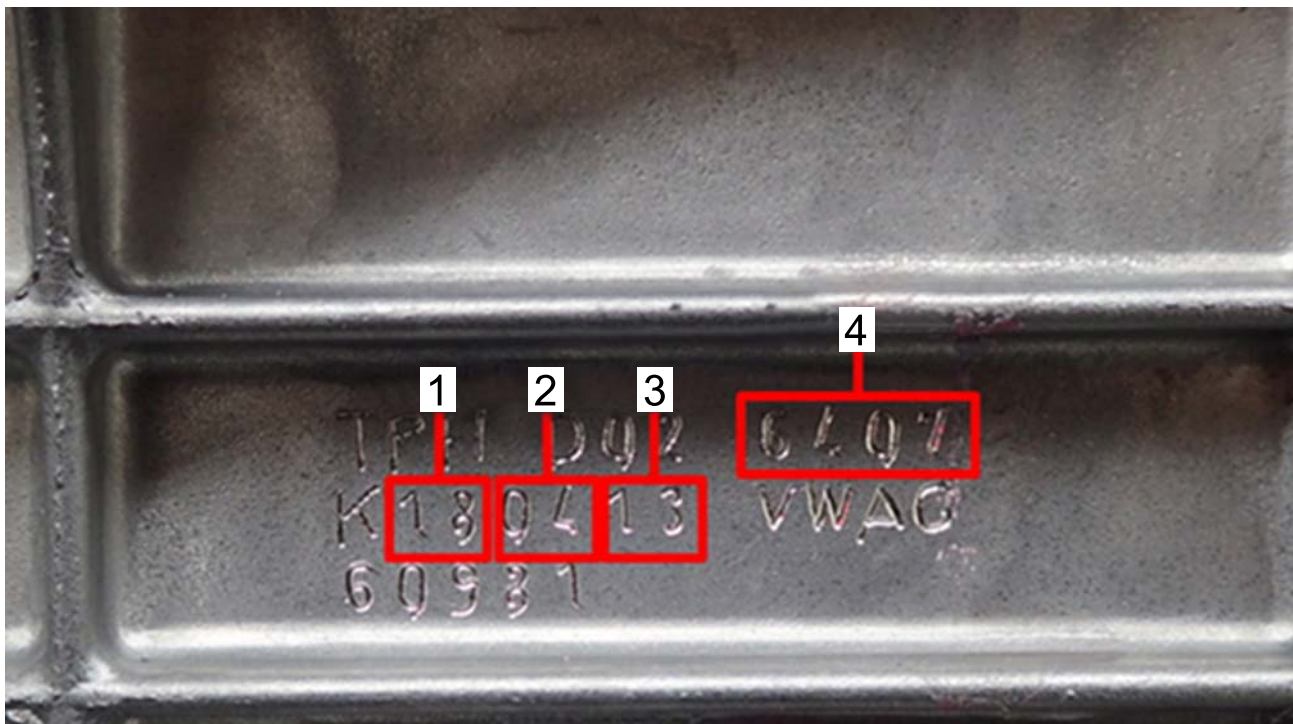
6340 22.07.15

(⇒ *Explanation of cut-off value*)

On July 22, 2015, modified cross-sanding was introduced with the serial number 6340.

⇒ Transmissions **produced before this date of introduction and serial number** must be replaced, see ⇒ *Workshop Manual '373455 Replacing double clutch transmission'*.

⇒ Transmissions **produced after this date of introduction and serial number** must be sealed. **Carry out the following work, starting with Step** ⇒ as required.



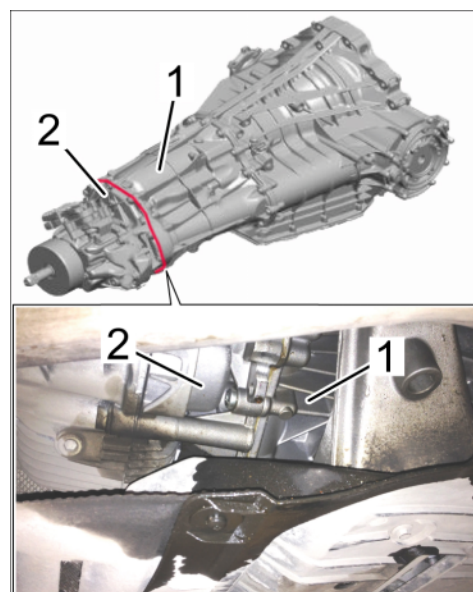
Explanation of cut-off value

- 1 – Year
- 2 – Month
- 3 – Day
- 4 – Serial number

2 Find the position of the leak:

- 2.1 Clean the PDK transmission if it is heavily soiled as a result of escaping oil.

- 2.2 Spray the area you have cleaned on the PDK transmission with leak-locating spray.
- 2.3 Perform a test drive and then find the leak:
 - If oil is leaking at the sealing face from the intermediate housing ⇒ *Oil leak on PDK transmission -1-* to the cover ⇒ *Oil leak on PDK transmission -2-*, **seal the PDK transmission**. See ⇒ *Workshop Manual '373751 Sealing transmission housing'*
 - If oil is leaking at a different place, the fault is not due of the cause described here. Find the cause of the fault and correct it.



Oil leak on PDK transmission

Invoicing: The work involved is invoiced under the labor operation:

APOS	Labor operation	I No.
37375150	Sealing transmission housing	

For invoicing and documentation using PQIS, enter the following coding:

Location (FES5)	37370	Transmission housing
Damage type (SA4)	5041	Oil/grease leak

Important Notice: Technical Bulletins issued by Porsche Cars North America, Inc. are intended only for use by professional automotive technicians who have attended Porsche service training courses. They are written to inform those technicians of conditions that may occur on some Porsche vehicles, or to provide information that could assist in the proper servicing of a vehicle. Porsche special tools may be necessary in order to perform certain operations identified in these bulletins. Use of tools and procedures other than those Porsche recommends in these bulletins may be detrimental to the safe operation of your vehicle, and may endanger the people working on it. Properly trained Porsche technicians have the equipment, tools, safety instructions, and know-how to do the job properly and safely. Part numbers listed in these bulletins are for reference only. The work procedures updated electronically in the Porsche PIWIS diagnostic and testing device take precedence and, in the event of a discrepancy, the work procedures in the PIWIS Tester are the ones that must be followed.

© 2018 Porsche Cars North America, Inc.