

March 5, 2019

Version 9

## Product Update: 2016-18 Civic: Software and A/C Control Unit Update; DTC P0300, P0301, P0302, P0303, P0304, or P0172

Supersedes 18-137, dated February 1, 2019, to revise the information highlighted in **yellow**

### REVISION SUMMARY

- Under BACKGROUND, information was updated.
- Under SOFTWARE INFORMATION, information was updated.
- Under REPAIR PROCEDURE, information was updated.

### AFFECTED VEHICLES

Year	Model	Trim	VIN Range
2016	Civic	EX, EX-L, Touring (2-Door, 4-Door)	Check the iN VIN status for eligibility.
2017	Civic	EX, Touring, Si (2-Door, 4-Door)	Check the iN VIN status for eligibility.
2017	Civic	LX, LX With Honda Sensing, EX, Sport, EX-L, Sport Touring (5-Door)	Check the iN VIN status for eligibility.
2018	Civic	EX, Touring, Si (2-Door)	Check the iN VIN status for eligibility.
2018	Civic	EX, EX With Honda Sensing, EX-T, EX-A, Si (4-Door)	Check the iN VIN status for eligibility.
2018	Civic	LX, LX With Honda Sensing, EX, EX With Honda Sensing, Sport, EX-L, Sport Touring (5-Door)	Check the iN VIN status for eligibility.

### BACKGROUND

Under certain circumstances, the vehicle may experience driveability issues which may result in DTCs P0300 (random misfire detected), P0301 (No. 1 cylinder misfire detected), P0302 (No. 2 cylinder misfire detected), P0303 (No. 3 cylinder misfire detected), P0304 (No. 4 cylinder misfire detected), or P0172 (fuel system too rich).

#### NOTE

If an affected vehicle is brought in for repair or is in your inventory and your dealership is located outside of the cold weather states listed below, repair the vehicle using S/B 19-027 2016-18 Civic: Software Update with A/C Control Unit Replacement; DTC P0300, P0301, P0302, P0303, P0304, or P0172.

**CUSTOMER INFORMATION:** The information in this bulletin is intended for use only by skilled technicians who have the proper tools, equipment, and training to correctly and safely maintain your vehicle. These procedures should not be attempted by "do-it-yourselfers," and you should not assume this bulletin applies to your vehicle, or that your vehicle has the condition described. To determine whether this information applies, contact an authorized Honda automobile dealer.

For this product update, American Honda has identified vehicles located or registered in the following cold-weather states as being affected: Alaska, Connecticut, Iowa, Illinois, Indiana, Massachusetts, Maine, Michigan, Minnesota, Montana, North Dakota, Nebraska, New Hampshire, New Jersey, New York, Ohio, Pennsylvania, Rhode Island, South Dakota, Vermont, Wisconsin

**CUSTOMER NOTIFICATION**

Owners of affected vehicles will be sent a notification of this campaign.

Do an iN VIN status inquiry to make sure the vehicle is shown as eligible.

Some vehicles affected by this campaign may be in your new or used vehicle inventory. Repair these vehicles before they are sold.

**CORRECTIVE ACTION**

Reset the maintenance minder, and replace only the engine oil without replacing the oil filter. Clear any DTCs, and update the PGM-FI, TCM, and A/C control unit software. Reset the throttle position learned values, and do the PCM idle learn procedure.

**WARRANTY CLAIM INFORMATION**

If you did Service Bulletin 18-137 prior to February 1st, 2019, use the Warranty Claim Information provided on page 3 that is shaded in grey.

Use this warranty information if your dealership participates in the bulk oil program.

Operation Number	Description	Flat Rate Time	Defect Code	Symptom Code	Template ID	Failed Part Number
1245B2	Reset the maintenance minder. Update the PGM-FI, TCM, and A/C control unit software. Replace the engine oil, and do the throttle position reset and the PCM idle learn procedure.	0.7 hr	6DV00	B3P00	A18137G	37805-5BA-A51

Use this warranty information if your dealership does not participate in the bulk oil program.

Operation Number	Description	Flat Rate Time	Defect Code	Symptom Code	Template ID	Failed Part Number
1245B2	Reset the maintenance minder. Update the PGM-FI, TCM, and A/C control unit software. Replace the engine oil, and do the throttle position reset and the PCM idle learn procedure.	0.7 hr	6DV00	B3P00	A18137H	37805-5BA-A51

Skill Level: Repair Technician

If you did Service Bulletin 18-137 prior to February 1st, 2019, use the Warranty Claim Information provided below that is shaded in grey.

Use this warranty information if your dealership participates in the bulk oil program.

Operation Number	Description	Flat Rate Time	Defect Code	Symptom Code	Template ID	Failed Part Number
1245A8	Reset the maintenance minder. Update the PGM-FI and TCU software. Replace the engine oil, the A/C control unit, and do the throttle position reset and PCM idle learn procedure. <b>(Non Dual Zone A/C unit)</b>	0.8 hr	6DV00	B3P00	A18137A	37805-5BA-A51

Operation Number	Description	Flat Rate Time	Defect Code	Symptom Code	Template ID	Failed Part Number
1245A8	Reset the maintenance minder. Update the PGM-FI and TCU software. Replace the engine oil, the A/C control unit, and do the throttle position reset and PCM idle learn procedure. <b>(Dual Zone A/C unit)</b>	0.8 hr	6DV00	B3P00	A18137B	37805-5BA-A51

Use this warranty information if your dealership does not participate in the bulk oil program.

Operation Number	Description	Flat Rate Time	Defect Code	Symptom Code	Template ID	Failed Part Number
1245A8	Reset the maintenance minder. Update the PGM-FI and TCU software. Replace the engine oil, the A/C control unit, and do the throttle position reset and PCM idle learn procedure. <b>(Non Dual Zone A/C unit)</b>	0.8 hr	6DV00	B3P00	A18137C	37805-5BA-A51

Operation Number	Description	Flat Rate Time	Defect Code	Symptom Code	Template ID	Failed Part Number
1245A8	Reset the maintenance minder. Update the PGM-FI and TCU software. Replace the engine oil, the A/C control unit, and do the throttle position reset and PCM idle learn procedure. <b>(Dual Zone A/C unit)</b>	0.8 hr	6DV00	B3P00	A18137D	37805-5BA-A51

For your reference, these are the parts that were needed to complete the old repair procedure:

- Non- Dual Zone A/C Control Unit, **79610-TBA-A51**
- Dual Zone A/C Control Unit, **79610-TBC-A51**

## PARTS INFORMATION

Part Name	Part Number	Quantity
Drain Plug Washer (14 mm)	94109-14000	1

## TOOL INFORMATION

Part Name	Part Number	Quantity
A/C Control Unit Reflash Kit	070AL-TBAA100	1

### NOTE

The box that the tool will arrive in has a part number of **070AL-TBAA1Z0**. This box will contain two A/C Control Unit Reflash Kits and two spare A/C Reflash Sub Cables (**P/N 07AAJ-TBAA110**) to be used for this campaign.

## MATERIAL INFORMATION

Part Name	Part Number	Quantity
0W-20 (Bulk Oil Participants) (gallons)	FS020-BAS-N0L	1
0W-20 (Non-Bulk Oil Participants) (quarts)	08798-9063	4
A/C Reflash Sub Cable	07AAJ-TBAA110	1 (One sub cable will repair about 50 vehicles)

### NOTE

The A/C Reflash Sub Cable is listed under MATERIAL INFORMATION section so that dealers can receive the correct reimbursement for each repair. Each repair can be reimbursed for 1/50th of the price of a replacement sub cable. Dealers deciding not to use a template to file claims can be reimbursed for the sub cable by selecting "OTHERS" in the Material Type drop-down, enter the part number (**P/N 07AAJ-TBAA110**), a quantity of one, and \$0.24 in the unit price field. If you are experiencing issues stated in the REPAIR PROCEDURE, order a new sub cable through the parts system, which will be good up to 50 uses.

## SOFTWARE INFORMATION

### NOTE

Unnecessary or incorrect repairs resulting from a failure to update the i-HDS are not covered under warranty.

i-HDS Software Version: **1.004.064 or later**

J2534 Software Information:

- PC Application Version **1.1.0.6 or later**
- Database update **27-DEC-2018 or later**

**Before beginning the repair, make sure that both the i-HDS and J2534 software are updated as listed above.**

**Do only the update listed in this service bulletin.**

To update the software, you must use the MVCI or the DST-i interface in conjunction with the J2534 Rewrite PC application on the i-HDS.

For more information about updating the i-HDS, the MVCI, and vehicle systems, refer to service bulletin 01-023, *Updating Control Units/Modules*.

Year/Model	Emission Code	Software System	Program ID (or later)	Program P/N (or later)
2016 Civic (EX with CVT 2-Door, 4-Door)	KA	PGM-FI	AAA580	37805-5AA-A58
		TCM	CGA080	28101-5CG-A08
2016 Civic (Touring with CVT 2-Door, 4-Door)	KA	PGM-FI	AAA680	37805-5AA-A68
		TCM	CGA080	28101-5CG-A08
2016 Civic (EX with CVT 2-Door, 4-Door)	KL	PGM-FI	AAL590	37805-5AA-L59
		TCM	CGA080	28101-5CG-A08
2016 Civic (Touring with CVT 2-Door, 4-Door)	KL	PGM-FI	AAL690	37805-5AA-L69
		TCM	CGA080	28101-5CG-A08
2017 Civic (EX with M/T 2-Door, 4-Door)	KA	PGM-FI	AAA070	37805-5AA-A07
2017 Civic (EX with CVT 2-Door, 4-Door)	KA	PGM-FI	AAA580	37805-5AA-A58
		TCM	CGA080	28101-5CG-A08
2017 Civic (EX with CVT 2-Door, 4-Door)	KL	PGM-FI	AAL590	37805-5AA-L59
		TCM	CGA080	28101-5CG-A08
2017 Civic (Touring with CVT 2-Door, 4-Door)	KA	PGM-FI	AAA680	37805-5AA-A68
		TCM	CGA080	28101-5CG-A08
2017 Civic (Touring with CVT 2-Door, 4-Door)	KL	PGM-FI	AAL690	37805-5AA-L69
		TCM	CGA080	28101-5CG-A08
2017 Civic (Si 2-Door, 4-Door)	KA	PGM-FI	AMA050	37805-5AM-A05
2017 Civic (LX with M/T 5-Door)	KA	PGM-FI	ANA040	37805-5AN-A04

Year/Model	Emission Code	Software System	Program ID (or later)	Program P/N (or later)
2017 Civic (LX with CVT 5-Door)	KA	PGM-FI	ANA540	37805-5AN-A54
		TCM	CKA040	28101-5CK-A04
2017 Civic (LX w/Honda Sensing 5-Door)	KA	PGM-FI	ANA750	37805-5AN-A75
		TCM	CKA150	28101-5CK-A15
2017 Civic (LX with CVT 5-Door)	KL	PGM-FI	ANL540	37805-5AN-L54
		TCM	CKA040	28101-5CK-A04
2017 Civic (EX, EX-L 5-Door)	KL	PGM-FI	AN9540	37805-5AN-954
		TCM	CKA040	28101-5CK-A04
2017 Civic (EX, EX-L 5-Door)	KA	PGM-FI	ANB540	37805-5AN-B54
		TCM	CKA040	28101-5CK-A04
2017 Civic (Sport with M/T 5-Door)	KA	PGM-FI	ANA150	37805-5AN-A15
2017 Civic (Sport with CVT 5-Door)	KA	PGM-FI	ANA640	37805-5AN-A64
		TCM	CKC040	28101-5CK-C04
2017 Civic (Sport with CVT 5-Door)	KL	PGM-FI	ANL640	37805-5AN-L64
		TCM	CKC040	28101-5CK-C04
2017 Civic (Sport Touring 5-Door)	KA	PGM-FI	ANA850	37805-5AN-A85
		TCM	CKC150	28101-5CK-C15
2018 Civic (Si 2-Door, 4-Door)	KA	PGM-FI	AMA050	37805-5AM-A05
2018 Civic (EX 2-Door) (EX-T 4-Door) (M/T)	KA	PGM-FI	AAA110	37805-5AA-A11
2018 Civic (EX 2-Door) (EX-T 4-Door)	KA	PGM-FI	AAA720	37805-5AA-A72
		TCM	GCA820	28101-5GC-A82
2018 Civic (EX 2-Door) (EX-T 4-Door)	KL	PGM-FI	AAL720	37805-5AA-L72
		TCM	GCA820	28101-5GC-A82
2018 Civic (Touring 2-Door) (EX-T w/ Honda Sensing 4-Door)	KA	PGM-FI	AAA820	37805-5AA-A82
		TCM	GCA820	28101-5GC-A82
2018 Civic (Touring 2-Door) (EX-T w/ Honda Sensing 4-Door)	KL	PGM-FI	AAL820	37805-5AA-L82
		TCM	GCA820	28101-5GC-A82
2018 Civic (EX-A with CVT 4-Door)	KA	PGM-FI	BAA510	37805-5BA-A51
		TCM	GCA820	28101-5GC-A82

Year/Model	Emission Code	Software System	Program ID (or later)	Program P/N (or later)
2018 Civic (EX-A with CVT 4-Door)	KL	PGM-FI	BAL410	37805-5BA-L41
		TCM	GCA820	28101-5GC-A82
2018 Civic (EX w/ Honda Sensing with CVT 4-Door)	KA	PGM-FI	AJA620	37805-5AJ-A62
		TCM	GCA820	28101-5GC-A82
2018 Civic (EX w/ Honda Sensing with CVT 4-Door)	KL	PGM-FI	AJL620	37805-5AJ-L62
		TCM	GCA820	28101-5GC-A82
2018 Civic (EX Navigation with CVT 4-Door)	KA	PGM-FI	AJA520	37805-5AJ-A52
		TCM	GCA820	28101-5GC-A82
2018 Civic (EX Navigation with CVT 4-Door)	KL	PGM-FI	AJL520	37805-5AJ-L52
		TCM	GCA820	28101-5GC-A82
2018 Civic (LX with M/T 5-Door)	KA	PGM-FI	ANA040	37805-5AN-A04
2018 Civic (LX with CVT 5-Door)	KA	PGM-FI	ANA540	37805-5AN-A54
		TCM	CKA040	28101-5CK-A04
2018 Civic (LX with CVT 5-Door)	KL	PGM-FI	ANL540	37805-5AN-L54
		TCM	CKA040	28101-5CK-A04
2018 Civic (LX w/ Honda Sensing 5-Door)	KA	PGM-FI	ANA750	37805-5AN-A75
		TCM	CKA150	28101-5CK-A15
2018 Civic (LX w/ Honda Sensing 5-Door)	KL	PGM-FI	ANL750	37805-5AN-L75
		TCM	CKA150	28101-5CK-A15
2018 Civic (EX, EX-L 5-Door)	KA	PGM-FI	AN9540	37805-5AN-954
		TCM	CKA040	28101-5CK-A04
2018 Civic (EX, EX-L 5-Door)	KL	PGM-FI	ANB540	37805-5AN-B54
		TCM	CKA040	28101-5CK-A04
2018 Civic (EX w/ Honda Sensing 5-Door)	KA	PGM-FI	ANA950	37805-5AN-A95
		TCM	CKA150	28101-5CK-A15
2018 Civic (EX w/ Honda Sensing 5-Door)	KL	PGM-FI	ANL950	37805-5AN-L95
		TCM	CKA150	28101-5CK-A15
2018 Civic (Sport with M/T 5-Door)	KA	PGM-FI	ANA150	37805-5AN-A15
2018 Civic (Sport with CVT 5-Door)	KA	PGM-FI	ANA640	37805-5AN-A64
		TCM	CKC040	28101-5CK-C04

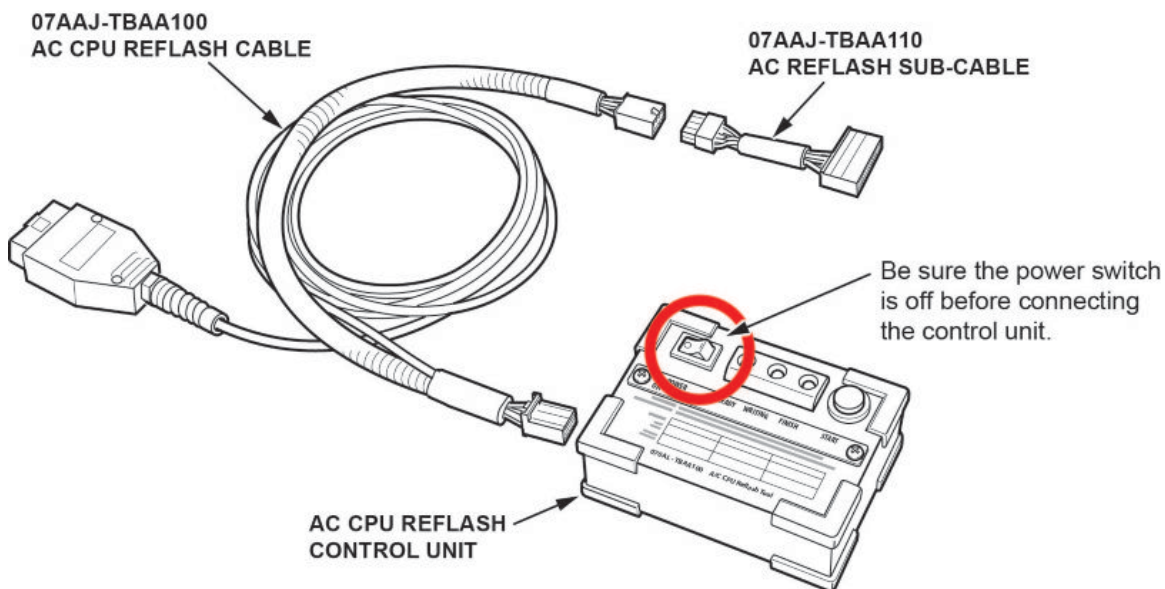
Year/Model	Emission Code	Software System	Program ID (or later)	Program P/N (or later)
2018 Civic (Sport with CVT 5-Door)	KL	PGM-FI	ANL640	37805-5AN-L64
		TCM	CKC040	28101-5CK-C04
2018 Civic (Sport Touring with CVT 5-Door)	KA	PGM-FI	ANA850	37805-5AN-A95
		TCM	CKC150	28101-5CK-C15
2018 Civic (Sport Touring with CVT 5-Door)	KL	PGM-FI	ANL850	37805-5AN-L85
		TCM	CKC150	28101-5CK-C15

## REPAIR PROCEDURE

1. Reset maintenance minder main code A. Refer to the service information.
2. Drain and refill the engine oil. Do not replace the oil filter. (3.4 quarts)
3. Connect a fully charged jumper battery to the vehicle and leave it connected during the entire procedure to maintain steady voltage.
4. Connect the i-HDS and click on the **Body Electrical**. From there, select **HVAC** and open **Data List/Snapshot** to check if the A/C control unit has been updated. One of three options will appear; **Not Complete**, **Completed**, or **Not Applicable**.
  - If it reads **Completed** or **Not Applicable**, skip to step 6.
  - If it reads **Not Complete**, go to step 5.
5. Update the A/C control unit.

### NOTE

Make sure that both the power switch and ignition are **OFF** before you continue.

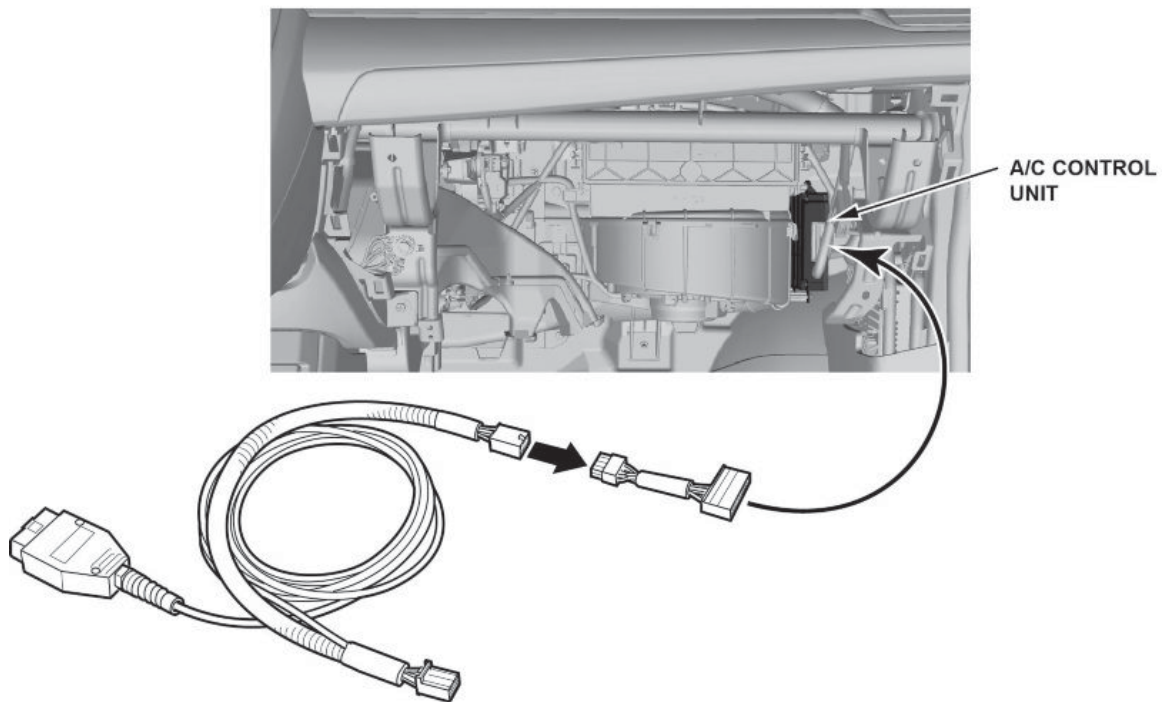




5.1. Empty the glove box and lower it to expose the A/C control unit on the right-hand side.



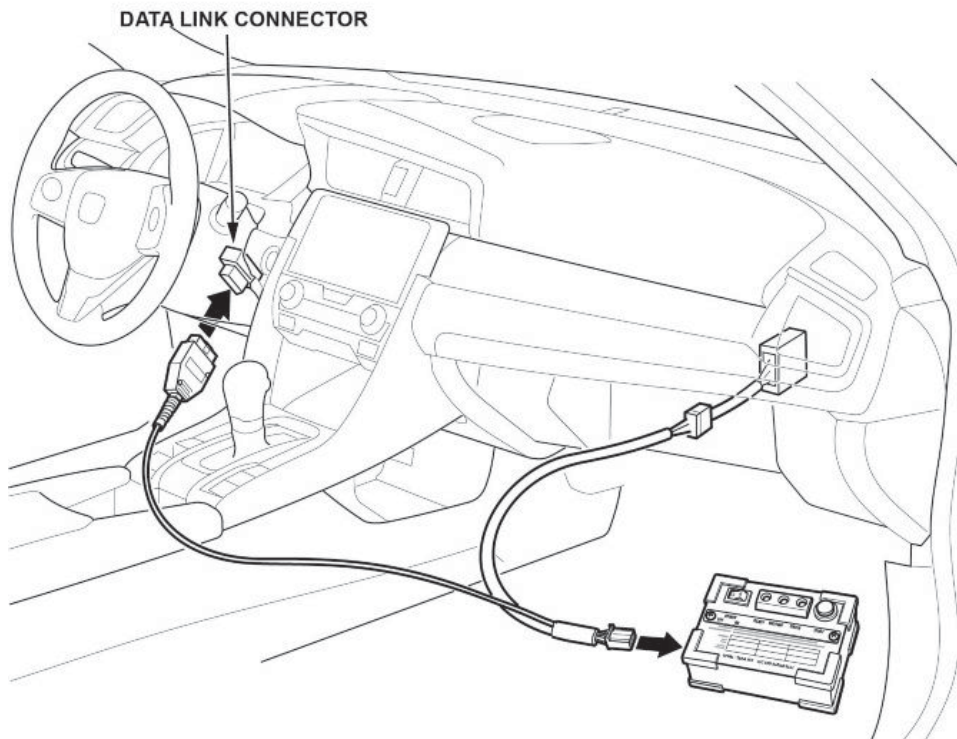
5.2. Disconnect the 32 pin connector from the A/C control unit and plug in the sub cable.



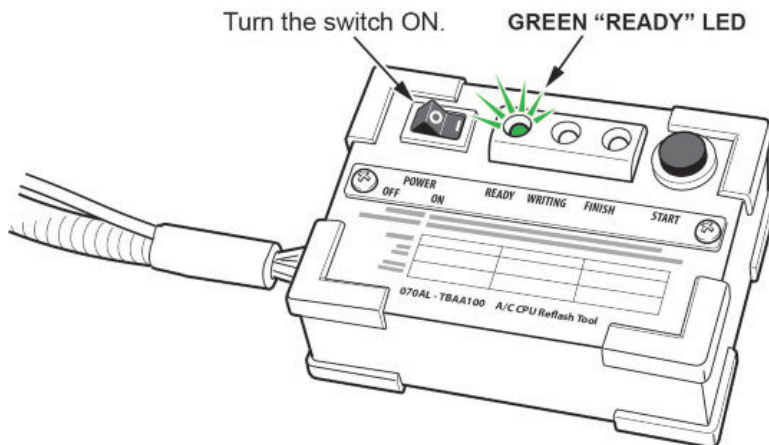
5.3. Plug the A/C refresh sub cable to the A/C CPU refresh cable.

5.4. Plug the A/C CPU refresh cable to the tool.

5.5. Connect the A/C CPU reflash cable to the OBD2 connector to supply power to the tool.



5.6. Turn the power switch to **ON**. A solid green LED should come on.

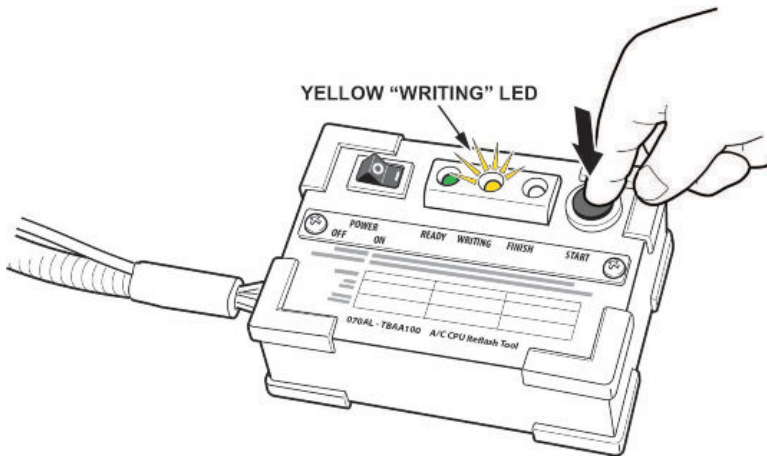


**NOTE**

If the green LED starts flashing, there might be an issue with the tool. Use a different or known good cable or tool as needed and try again.

5.7. Once the solid green LED is on, press the black "start" button on the right-hand side to start the rewriting process.

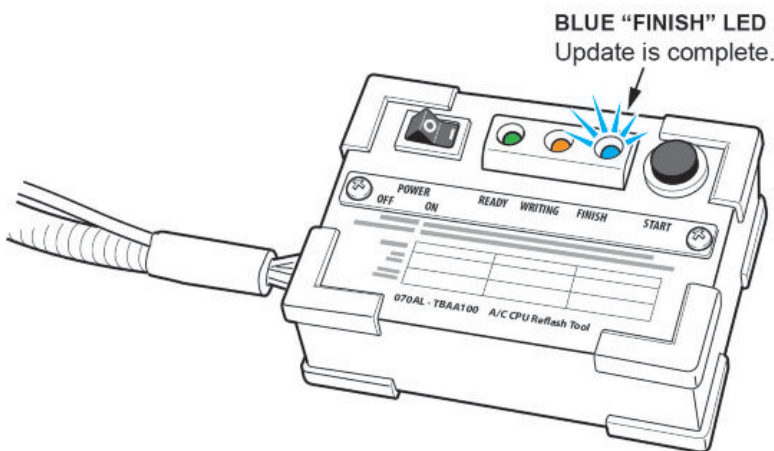
5.8. A solid yellow LED should appear, which means that the tool is rewriting the A/C control unit.



**NOTE**

If the yellow LED is flashing, the vehicle may have been repaired previously or is ineligible for the repair, or the sub cable is worn out. If the sub cable is worn out, replace it and try again. The 32 pin connector on the sub cable is expected to last about 50 connections. **If the yellow LED is still flashing after replacement of the sub cable, refer to S/B 19-027, 2016-18 Civic 1.5L: Software Update with A/C Control Unit Replacement; DTC P0300, P0301, P0302, P0303, P0304, or P0172 for further instructions.**

5.9. Once reprogramming is complete, a solid blue LED should come on.



**NOTE**

If the blue LED is flashing, the update has failed. Power off the tool and repeat the procedure again. If the error is consistent, replace the sub cable and try again. The 32 pin connector on the sub cable is expected to last about 50 connections..

5.10. Turn the tool **OFF**, disconnect it from the vehicle, connect the factory harness to the A/C control unit, and install the glove box.

**NOTE**

If you have questions or concerns with the tool, please call Special Tools Hotline at (800) 346-6327.

6. Update the PGM-FI and TCM software using the i-HDS J2534 rewrite software with the MVCI or DST-i. Refer to Service Bulletin 01-023, *Updating Control Units/Modules*.

#### NOTES

- Never turn the ignition to OFF or ACCESSORY during the update. If there is a problem with the update, leave the ignition turned to ON.
  - To prevent control unit damage, do not operate anything electrical (headlights, audio system, brakes, A/C, power windows, door locks, etc.) during the update.
  - Do not use the MongoosePro VCI tool.
7. Reset the throttle position learned values by referencing the throttle body removal and installation in the service information, then do the PCM idle learn procedure. Refer to service information for additional instructions.

#### NOTE

More information on this procedure can be found in the Tech2Tech video titled, *A Look at PCM Idle Learn*.

END