



Technical Journal

TITLE:

Blown fuse, compressor - air suspension

REF NO: TJ 31423.12.0	ISSUING DEPARTMENT: Technical Service	CAR MARKET: United States and Canada	
PARTNER: 3 US 7510 Volvo Car USA		ISSUE DATE: 2019-01-15	STATUS DATE: 2019-01-23
FUNC GROUP: 7641	FUNC DESC: Level control, complete	Page 1 of 14	

“Right first time in Time”

Attachment

File Name	File Size
TJ 31423 - 2.jpg	0.1334 MB
TJ 31423-1.PNG	0.8342 MB
TJI-514118-1_1_0_en-US XC60.pdf	3.3795 MB

Vehicle Type

Type	Eng	Eng Desc	Sales	Body	Gear	Steer	Model Year	Plant	Chassis range	Struc Week Range
234							2017-2017		0000001-0045406	201617-201815
235							2017-2019		0000001-0088262	201620-201824
236							2017-2019		0000001-0069304	201646-201824
238							2018-2019		0000001-0085872	201646-201824
246							2018-2019		0000001-0204799	201717-201824
256							2016-2019		0000001-0427505	201505-201824

CSC Customer Symptom Codes

Code	Description
RA	Active chassis function/Does not work



VST Operation Number

VST Operation Number	Description
72812-2	Compressor, air suspension
98717-2	Fuse replace acc. TJ31423

DTC Diagnostic Trouble Codes

Rows beginning with * are modified

Note! If using a printed copy of this Technical Journal, first check for the latest online version.

Text

DESCRIPTION:

- * Added VST Operation No.
- * Updated vehicle type information.
- * Updated description

If the air suspension system is not working due to blown fuse for the compressor, then follow the advice under Service section below.

Improved compressors has been introduced in production (and spare parts) from June 2018, these are marked with a blue dot, refer to picture TJ 31423 - 1.png

Note: The concerned fuse is located in the cargo area right side under the storage compartment, fuse number 3, refer to picture TJ 31423 - 2.jpg

On XC60 use the attached instruction TJI-514118-1_1_0_en-US XC60

SERVICE:

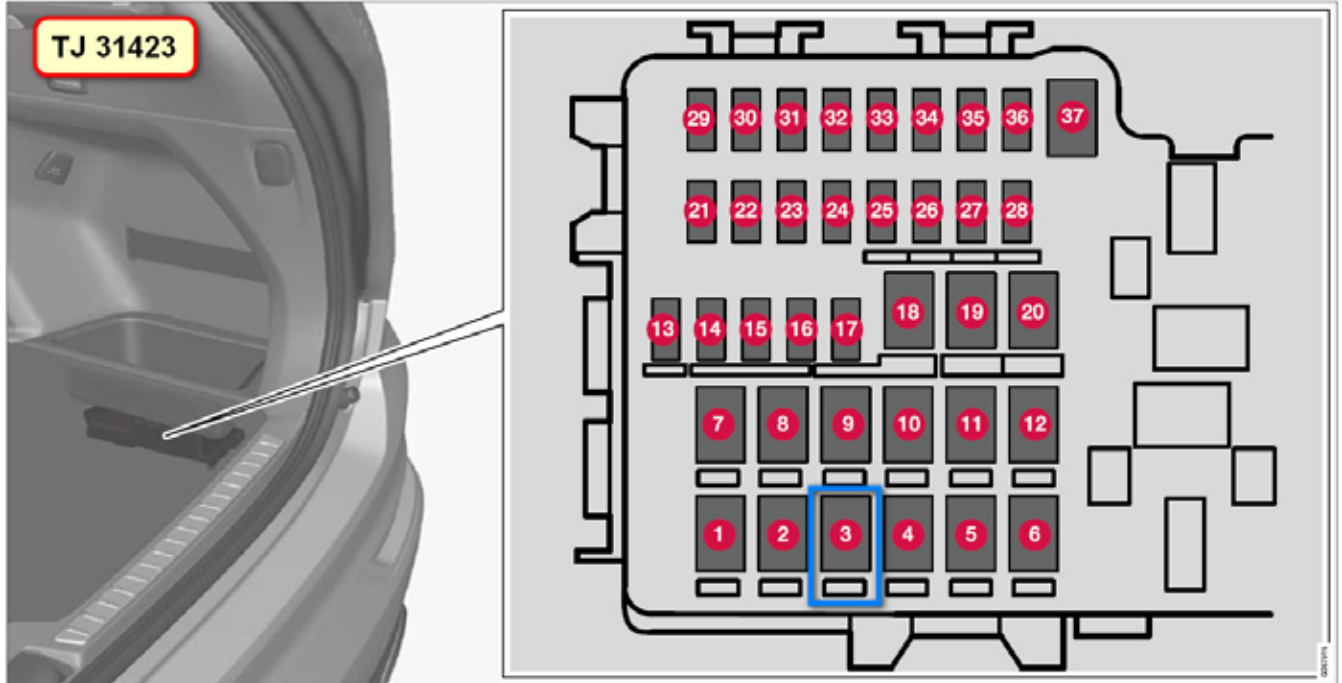
Perform:

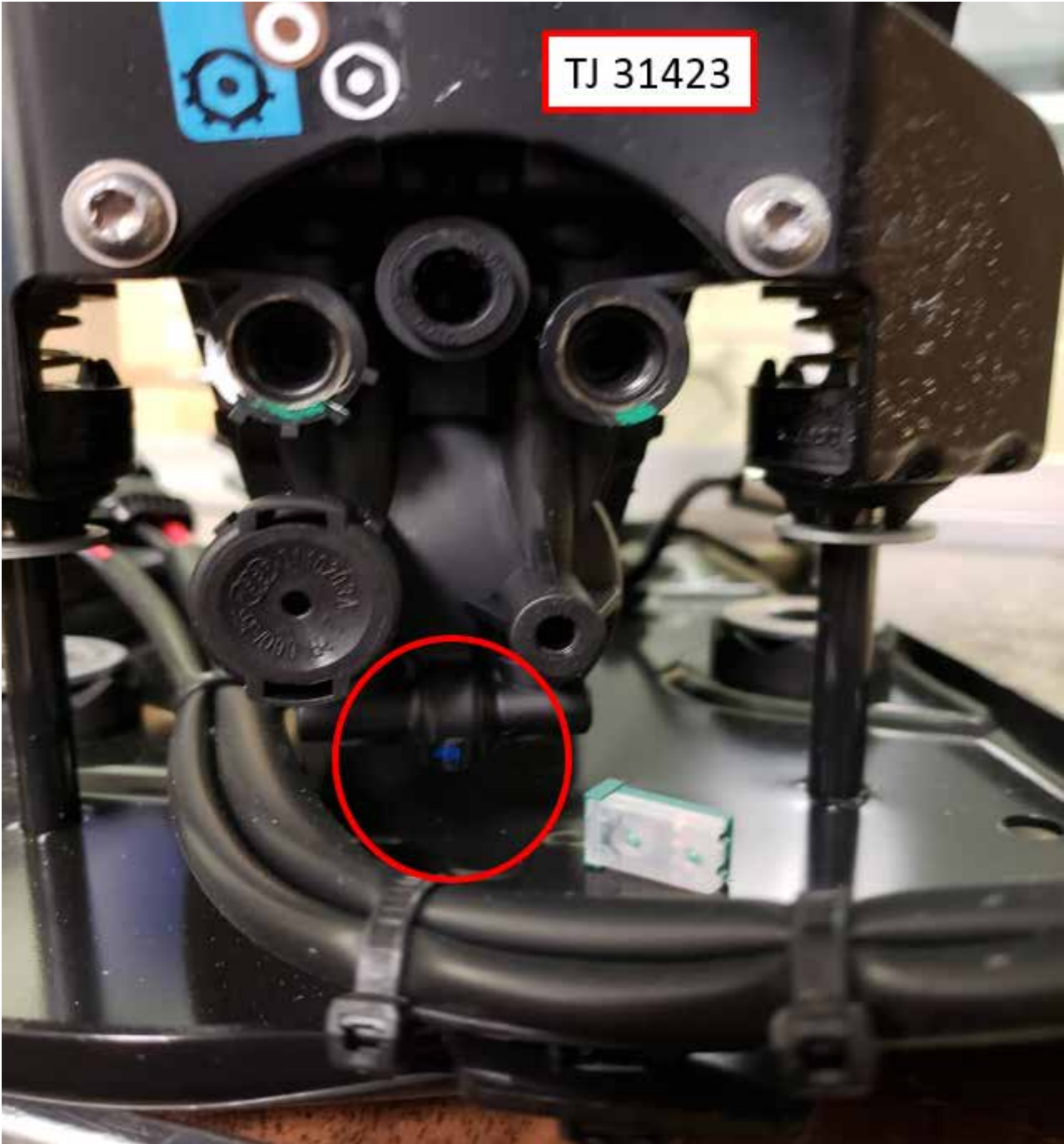
- Replace the compressor fuse 40A, PN 31346535
- Replace compressor according to VIDA, VCC ID: VCC-479322-1

VEHICLE REPORT:

Yes, please submit a Vehicle Report if the service solution described in this TJ has no effect. Use concern area "Vehicle Report" and sub concern area "Support not needed", use function group 7641.

To view TJ attachments continue to next page. This TJ has three attachments.







Volvo Car Customer Service

TJ Instruction VCC-514118-1

Title	Fuse	Page	1 (10)
Action	Replacement	Operation number:	98717-2

Issue	Date	Reason
1	2018-10	First issue

Affected vehicles

Model year	Model
2018, 2019	XC60 (18-)

Special tools

Description	Part No.
PULLER (SEAL-PINION,CAM-CRANKSHAFT)B200-6304	999 5919

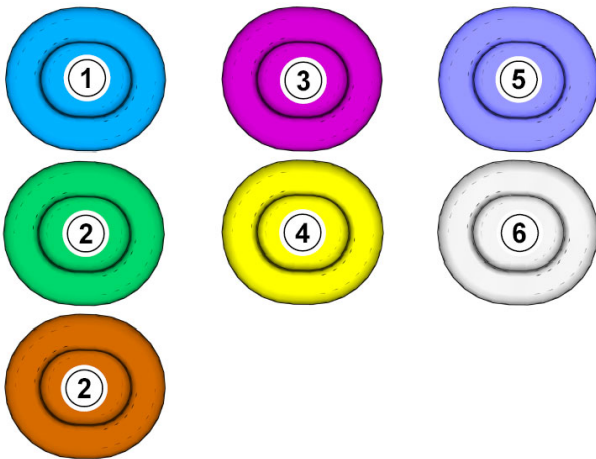
Equipment

Designation	Part No.
Interior trim remover	

Removal

Note! Removal steps in this procedure may contain installation details.

Color symbols

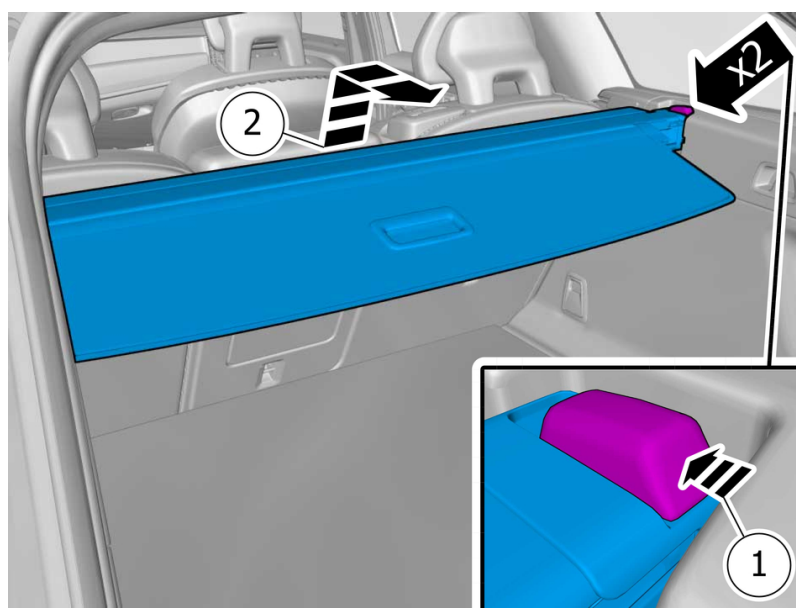


Note! This colour chart displays (in colour print and electronic version) the importance of the different colours used in the images of the method steps.

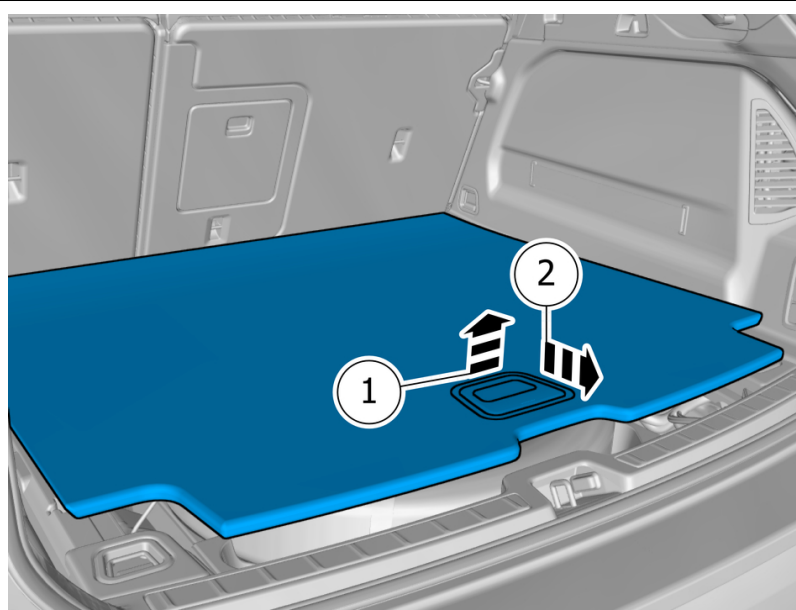
- 1 . Used for focused component, the component with which you will do something.
- 2 . Used as extra colors when you need to show or differentiate additional parts.
- 3 . Used for attachments that are to be removed/installed. May be screws, clips, connectors, etc.
- 4 . Used when the component is not fully removed from the vehicle but only hung to the side.
- 5 . Used for standard tools and special tools.
- 6 . Used as background color for vehicle components.

Set the vehicle to Inactive mode, described in user mode , refer to:

- General Information
- 3 - Electrical system
- 30 - General
- 300 - general

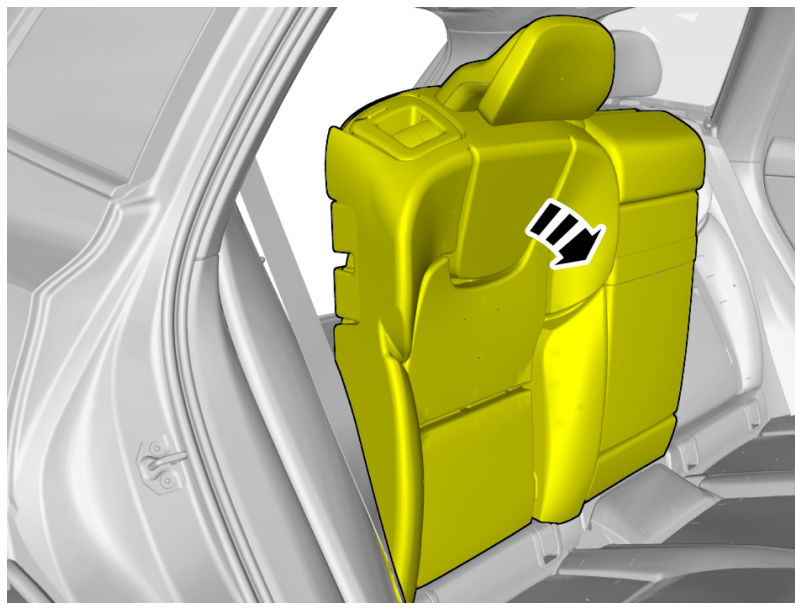


Remove the marked part.



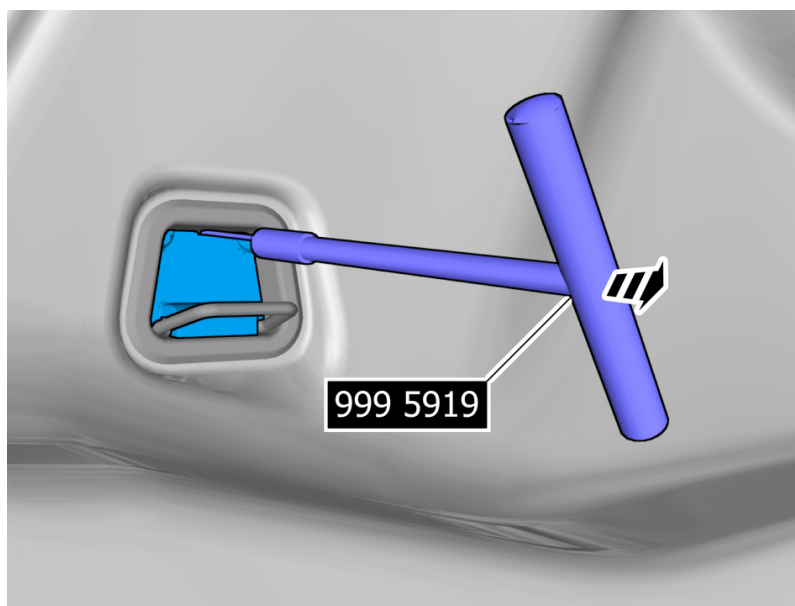
Caution! Observe caution when carrying out this step.

Remove the marked part.



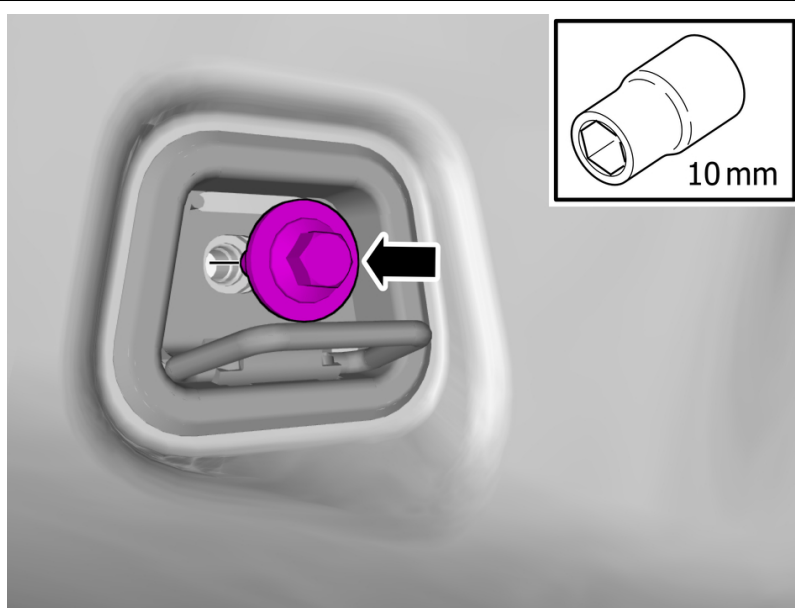
Fold marked part to one side.





Remove the marked part.

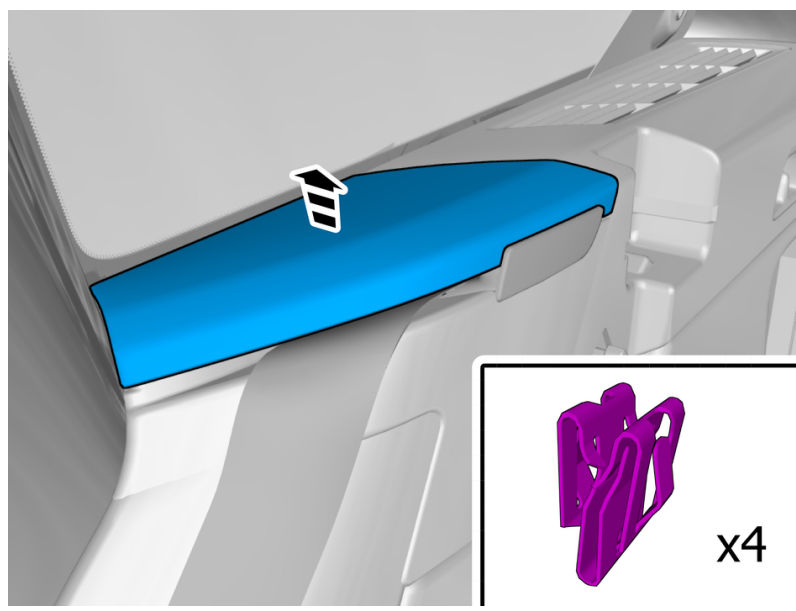
Special Tool: T9995919, PULLER (SEAL-PINION,CAM-CRANKSHAFT)B200-6304



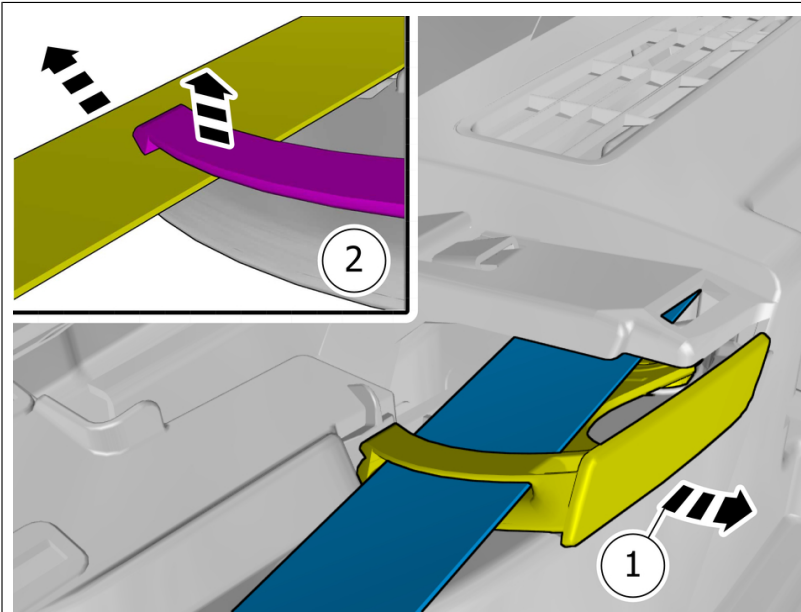
Remove the screw.

Torque:

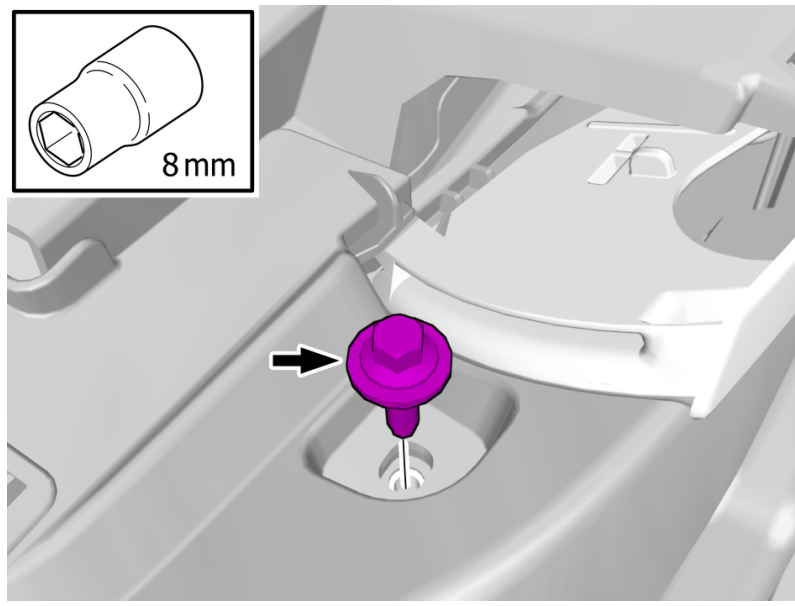
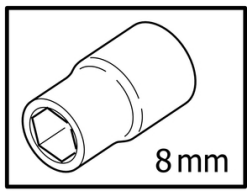
M8 , 24 Nm



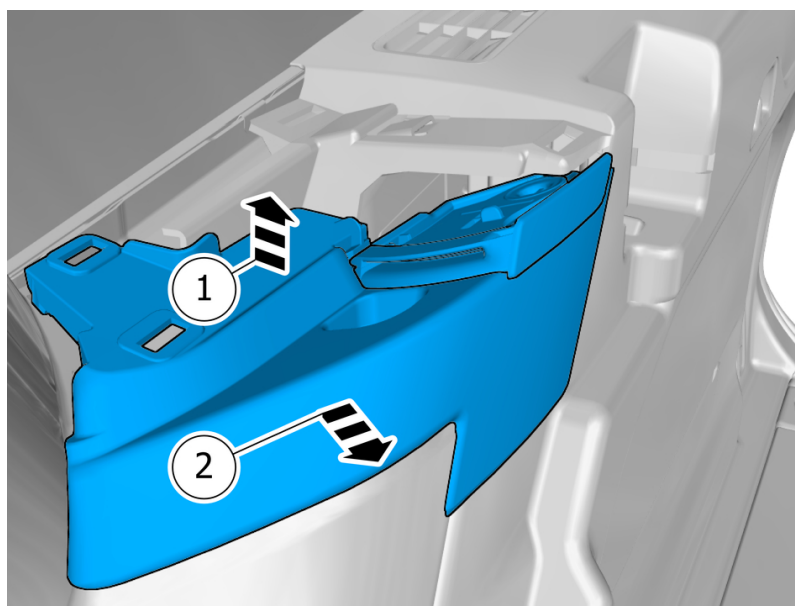
Remove the marked part.



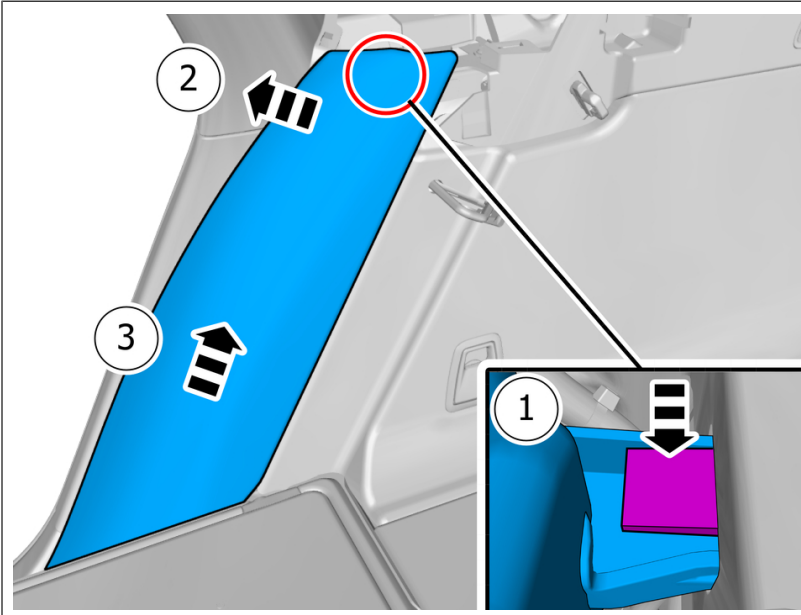
Fold marked part to one side.



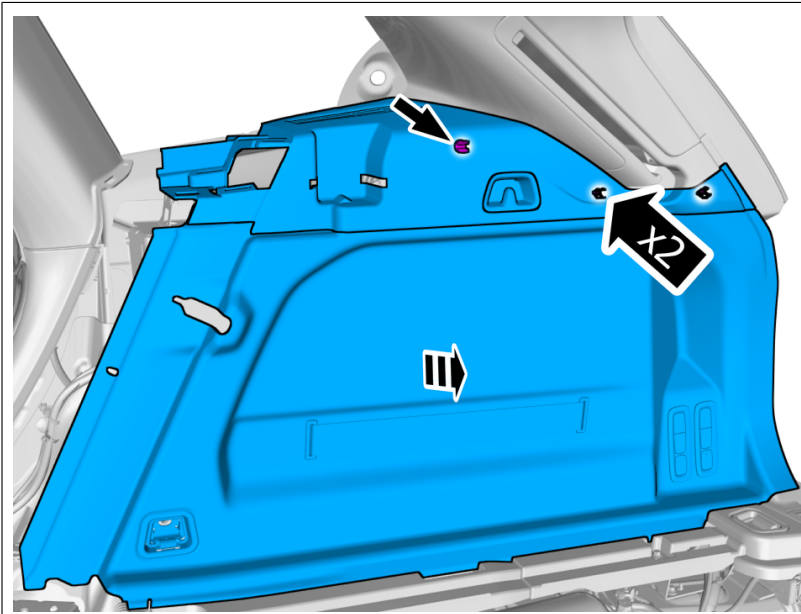
Remove the screw.
Use hands only.



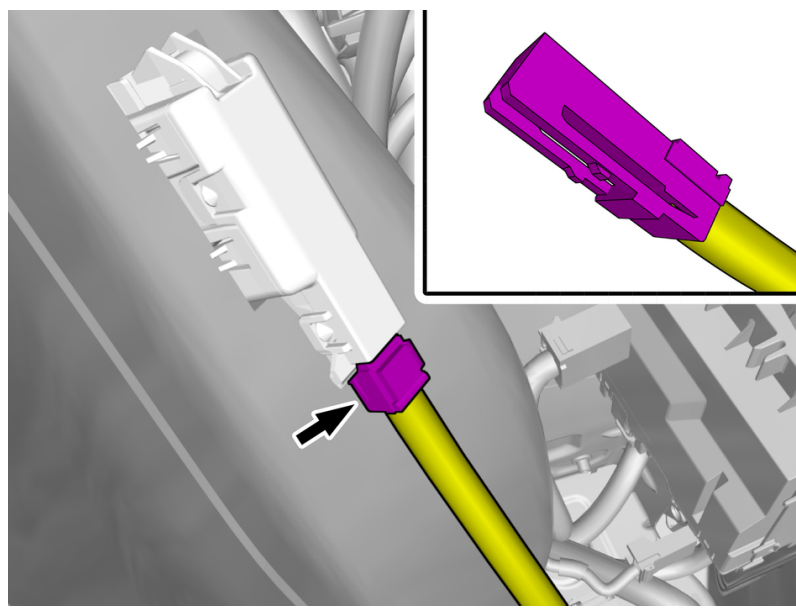
Remove the marked part.



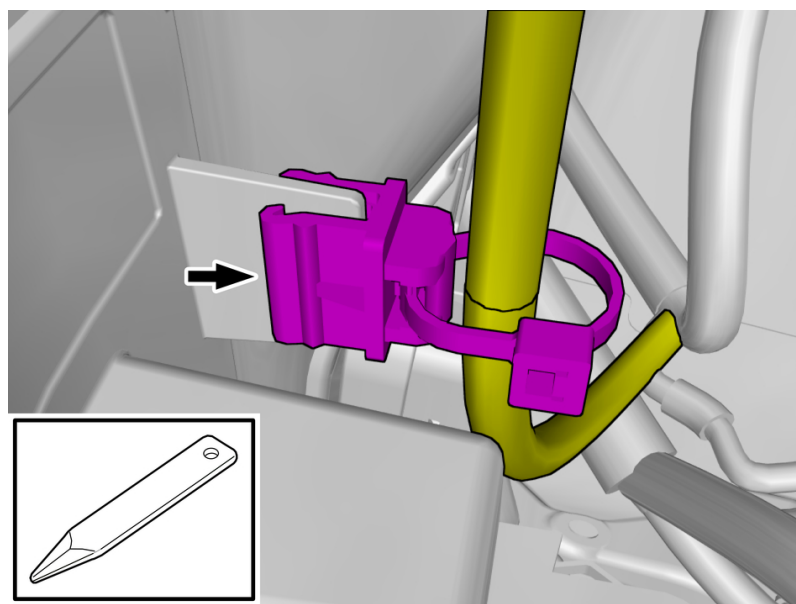
Release the catch.
Remove the marked part.



Loosen the clips.
Remove the marked part.

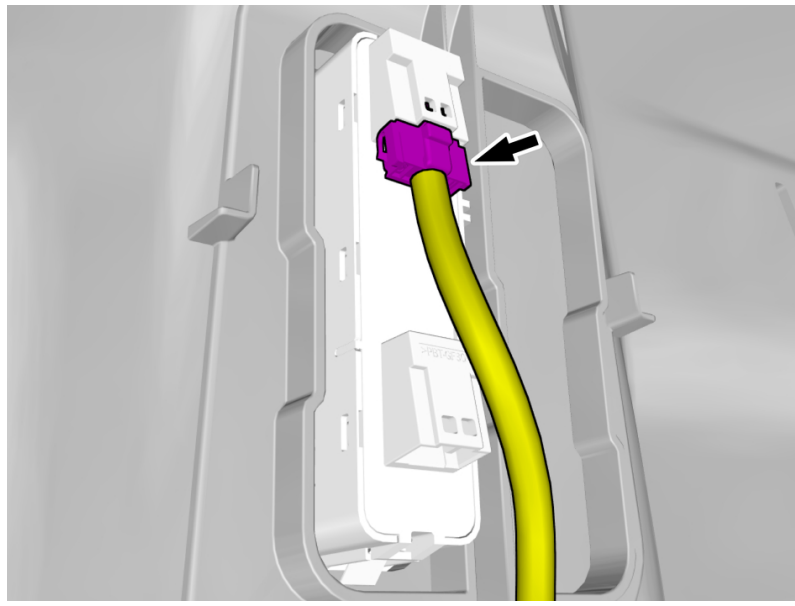


Disconnect the connector.



Loosen the clip.

Use: Interior trim remover



Note! The number of connectors may vary depending on the vehicle's equipment level.

Disconnect the connector.



Remove the marked part.

Installation

To install, reverse the removal procedure.