



JTB00567NAS3

# TECHNICAL BULLETIN

11 FEB 2019

© Jaguar Land Rover North America, LLC

NOTE: The information in Technical Bulletins is intended for use by trained, professional Technicians with the knowledge, tools, and equipment required to do the job properly and safely. It informs these Technicians of conditions that may occur on some vehicles, or provides information that could assist in proper vehicle service. The procedures should not be performed by 'do-it-yourselfers'. If you are not a Retailer, do not assume that a condition described affects your vehicle. Contact an authorized Jaguar service facility to determine whether this bulletin applies to a specific vehicle.

## INFORMATION

**This reissue replaces all previous versions. Please destroy all previous versions.**

Changes are highlighted in blue

### SECTION:

501-02

### SUBJECT/CONCERN:

Creak Noise From Front Bulkhead

### AFFECTED VEHICLE RANGE:

MODEL:	MODEL YEAR:	VIN:	ASSEMBLY PLANT:
F-PACE (X761)	2017-2018	045068-099996	Solihull

MODEL:	MODEL YEAR:	VIN:	ASSEMBLY PLANT:
F-PACE (X761)	2017	488002-499998	Solihull
F-PACE (X761)	2017-2018	880002-899997	Solihull
F-PACE (X761)	2018 Onwards	240000 Onwards	Solihull
XE (X760)	2017	921222-999999	Solihull
XF (X260)	2016 Onwards	Y00461 Onwards	Castle Bromwich

## MARKETS:

NORTH AMERICA

## CONDITION SUMMARY:

## SITUATION:

A creak noise may be evident from the front bulkhead.

## CAUSE:

This may be caused by a difference within the structural tolerances of the body panels in the front bulkhead.

## ACTION:

Should a customer express this concern, refer to the Service Information and Workshop Procedure below.

## PARTS:

### NOTE:

\* - an allowance of \$2.60 USD [or local equivalent] has been provided to cover the cost of the Hard foam and zinc rich primer. Claim using Sundry Code 'ZZZ001'.

PART NUMBER	DESCRIPTION	QUANTITY
*ZZZ001	Hard foam; zinc rich primer	\$2.60

PART NUMBER	DESCRIPTION	QUANTITY
C2C36026	Breakstem fastener	2
C2C22613	Breakstem fastener	1
*ZZZ001	7mm drill bit	\$5.20

## TOOLS:

Refer to Workshop Manual for any required special tools.

## WARRANTY:

### NOTES:

- Repair procedures are under constant review, and therefore times are subject to change; those quoted here must be taken as guidance only. Use TOPIx to obtain the latest repair time.
- The JLR claims submission system requires the use of causal part numbers. Labor only claims must show the causal part number with a quantity of zero.

DESCRIPTION	SRO	TIME (HOURS)	CONDITION CODE	CAUSAL PART
Left Hand Drive (LHD) vehicles - Front bulkhead - Modification	76.96.52	0.8	07	T4A1726

### NOTE:

Normal Warranty procedures apply.

## SERVICE INFORMATION:

1



The video illustrates the separation of the front bulkhead panels.

#### WORKSHOP PROCEDURE:

#### WARNING:

Do NOT remove any existing self-piercing rivets.

#### NOTES:

- This procedure contains some variation in the illustrations depending on the vehicle specification, but the essential information is always correct.
- This procedure contains illustrations showing certain components removed to provide extra clarity.

- 1 Remove the front left seat (see TOPIx Workshop Manual section 501-10: Seating - Removal and Installation - Front Row Seat).

2

**NOTE:**

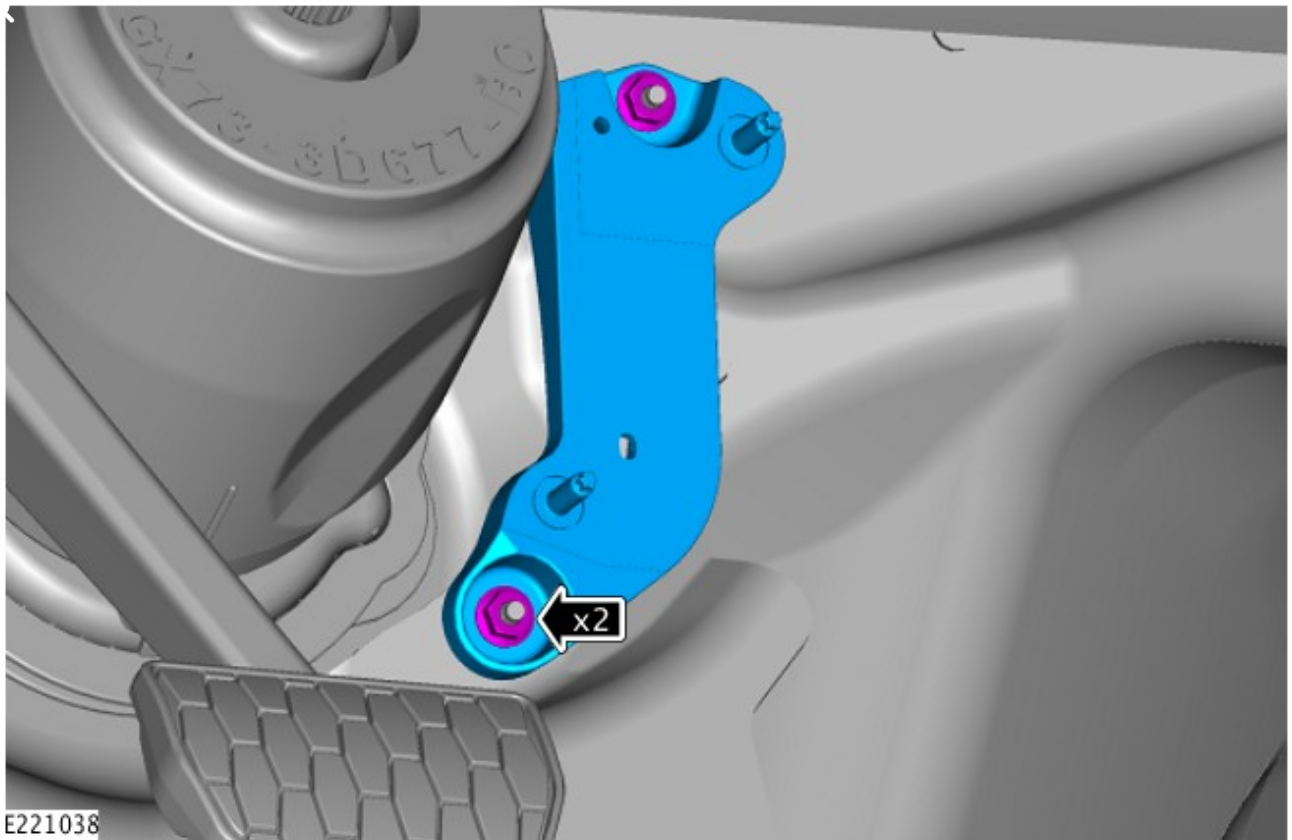
The treadplate may also be know as the scuff plate trim panel.

Remove the front left treadplate (see TOPIx Workshop Manual section 501-05: Interior Tim and Ornamentation - Removal and Installation - Front Scuff Plate Trim Panel).

3

- 3 Remove the accelerator pedal (see TOPIx Workshop Manual section 310-02: Acceleration Control - Accelerator Pedal).

4



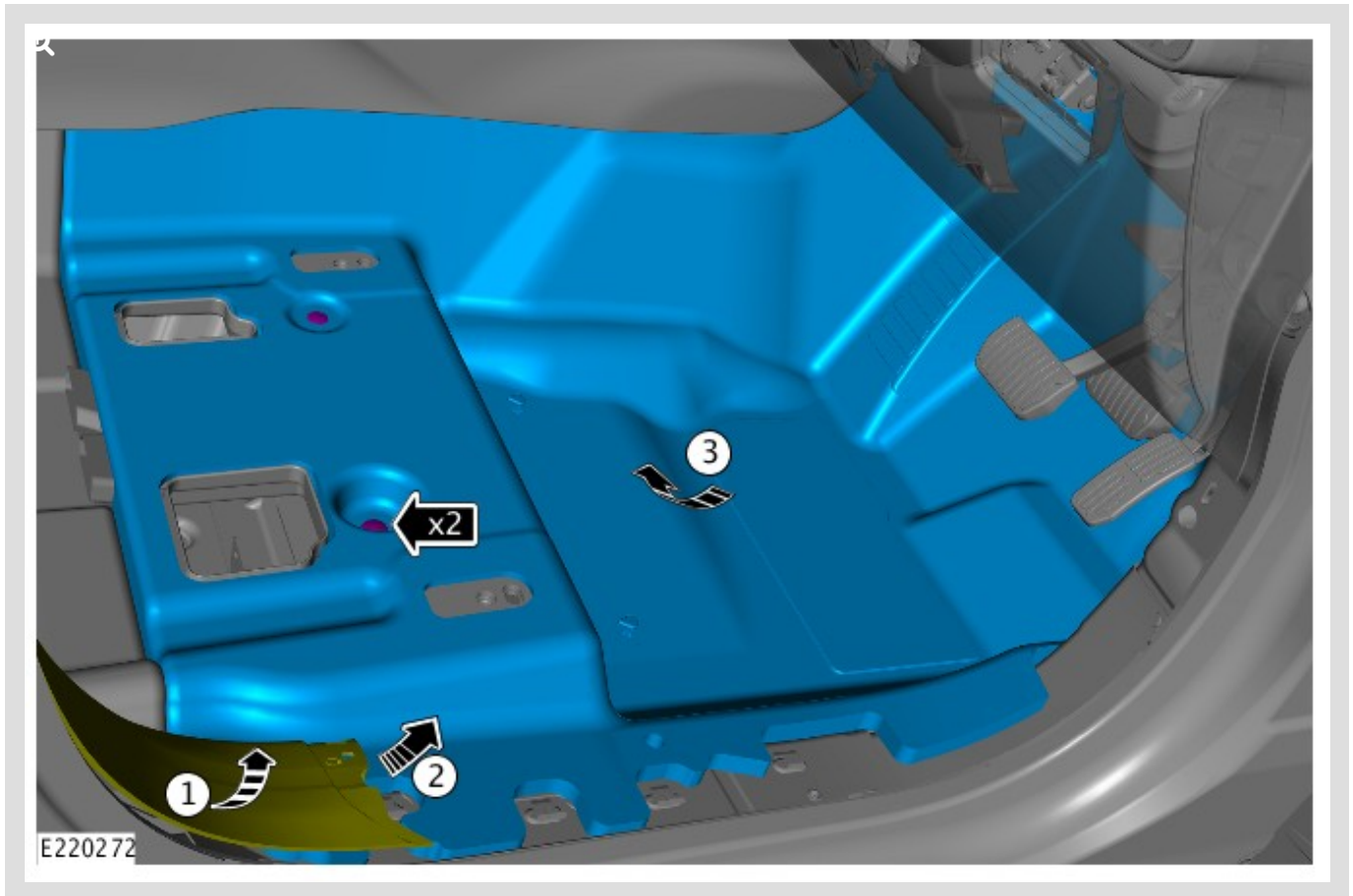
Remove the accelerator pedal mounting bracket.

- Torque: **9 Nm**

5

**NOTE:**

Right-hand Drive (RHD) shown; Left-hand Drive (LHD) similar.



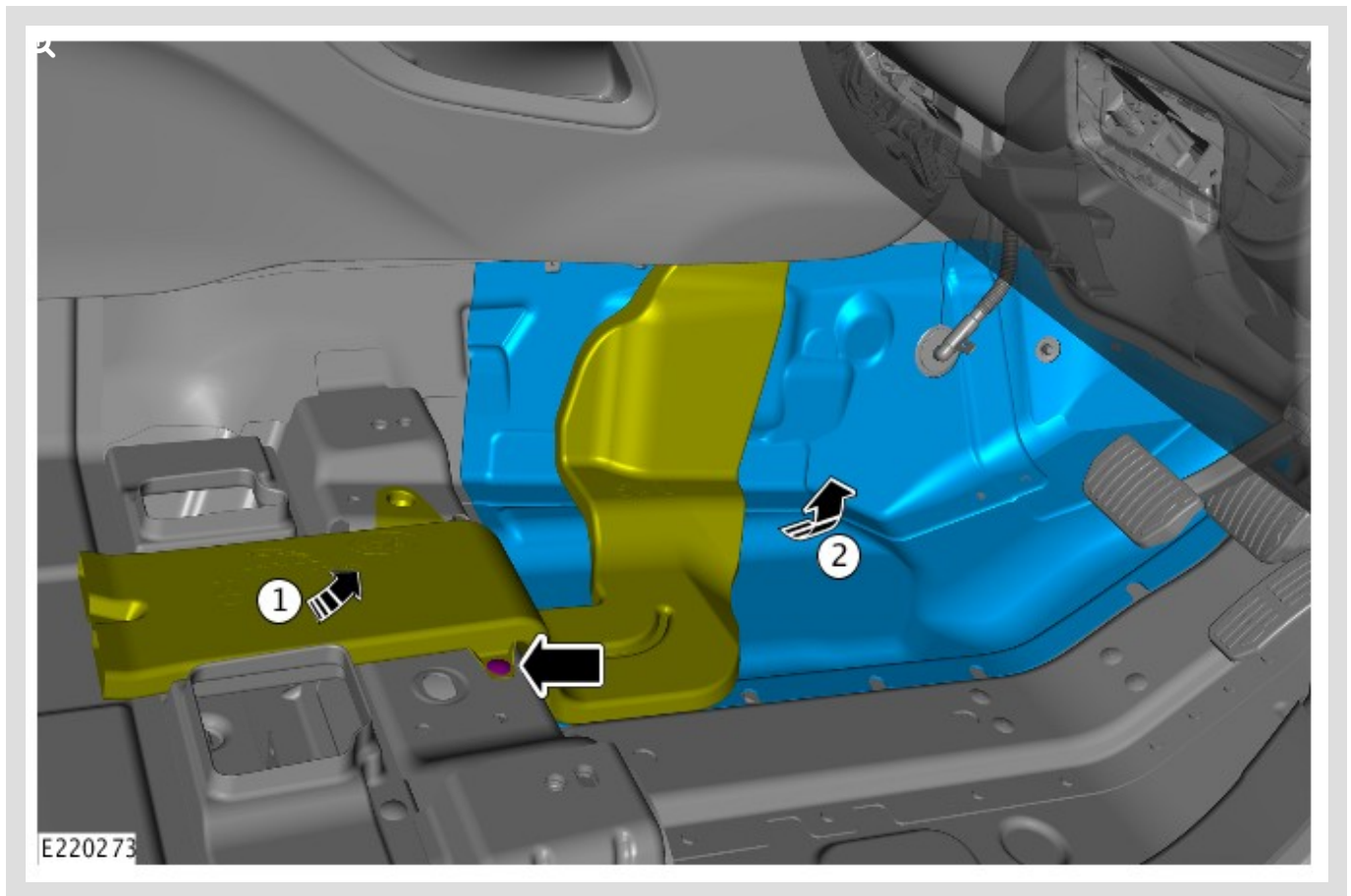
Remove the front left floor carpet.

- 1 Gently lift the left B-pillar lower trim **(1)**.
- 2 Position the carpet under the left B-pillar lower trim **(2)**.
- 3 Remove the front left floor carpet **(3)**.

6

**NOTE:**

Right-hand Drive (RHD) shown; Left-hand Drive (LHD) similar.



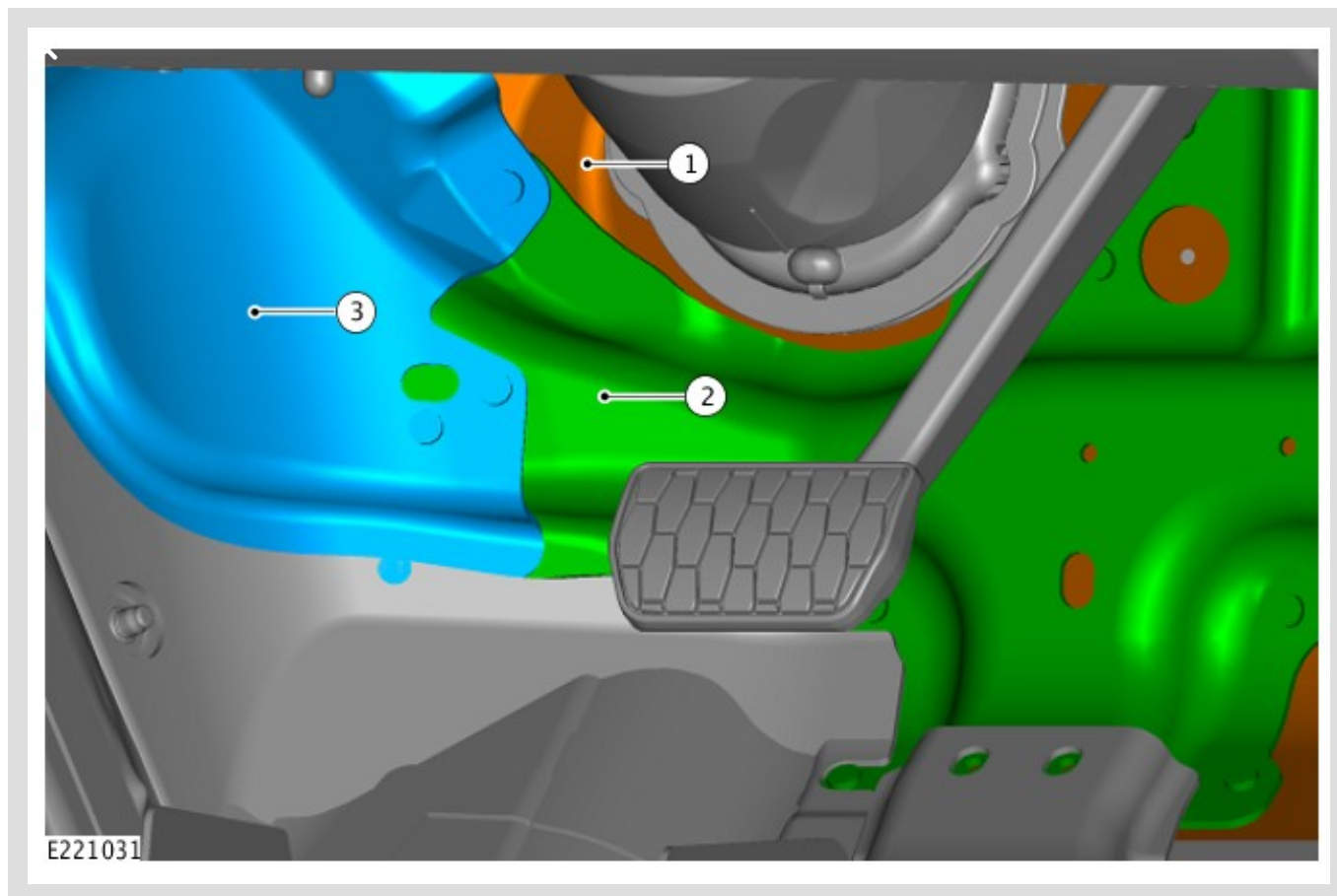
Remove the front left floor Noise, Vibration and Harshness (NVH) material.

- 1 Gently lift the floor duct **(1)**.
- 2 Remove the floor NVH material **(2)**.

7

 **NOTE:**

Right-hand Drive (RHD) shown; Left-hand Drive (LHD) similar.



The illustration shows the order of the body panels.

8

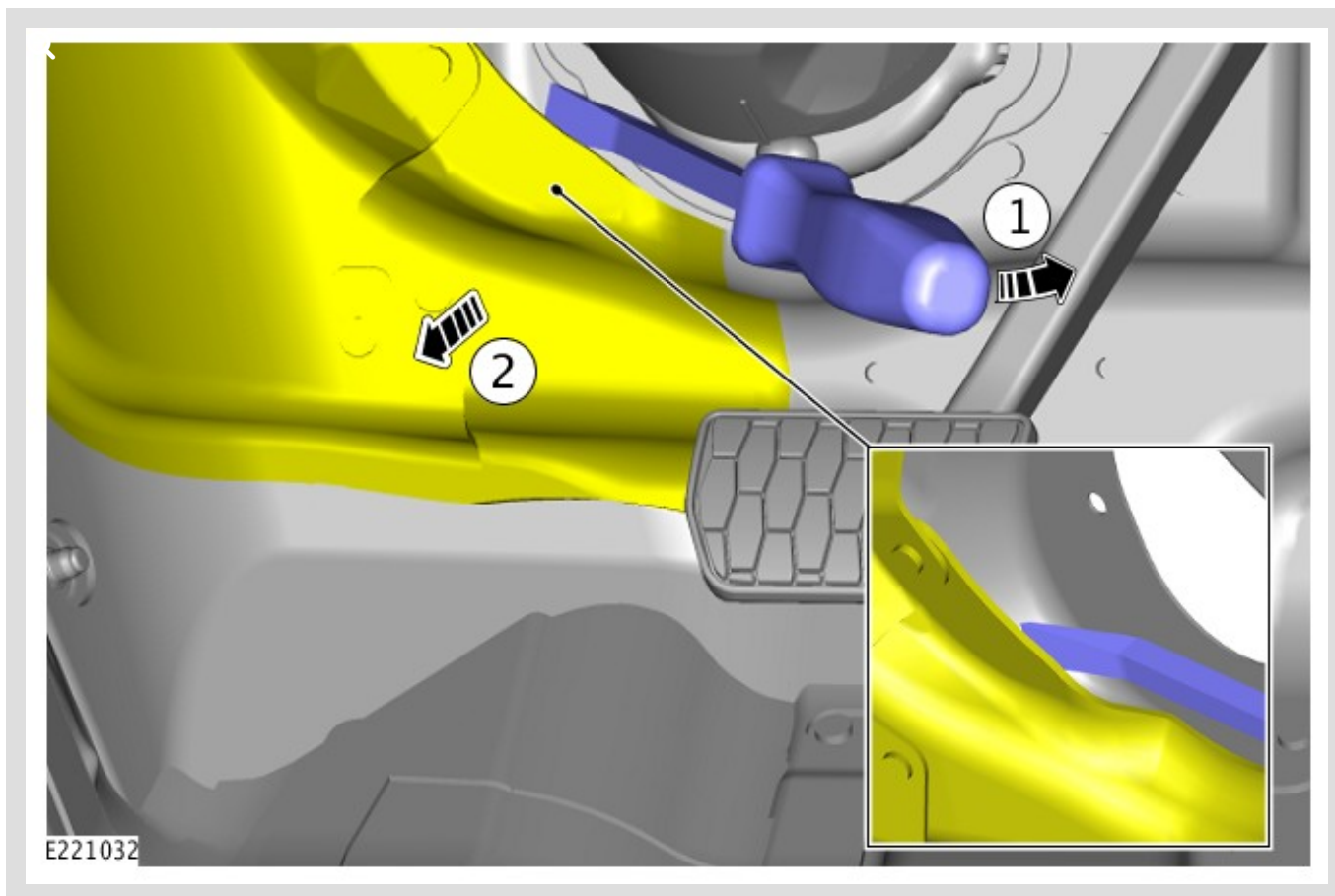
**⚠ CAUTION:**

Do not damage the steering column seal when separating the body panels.

**△ NOTE:**

Right-hand Drive (RHD) shown; Left-hand Drive (LHD) similar.



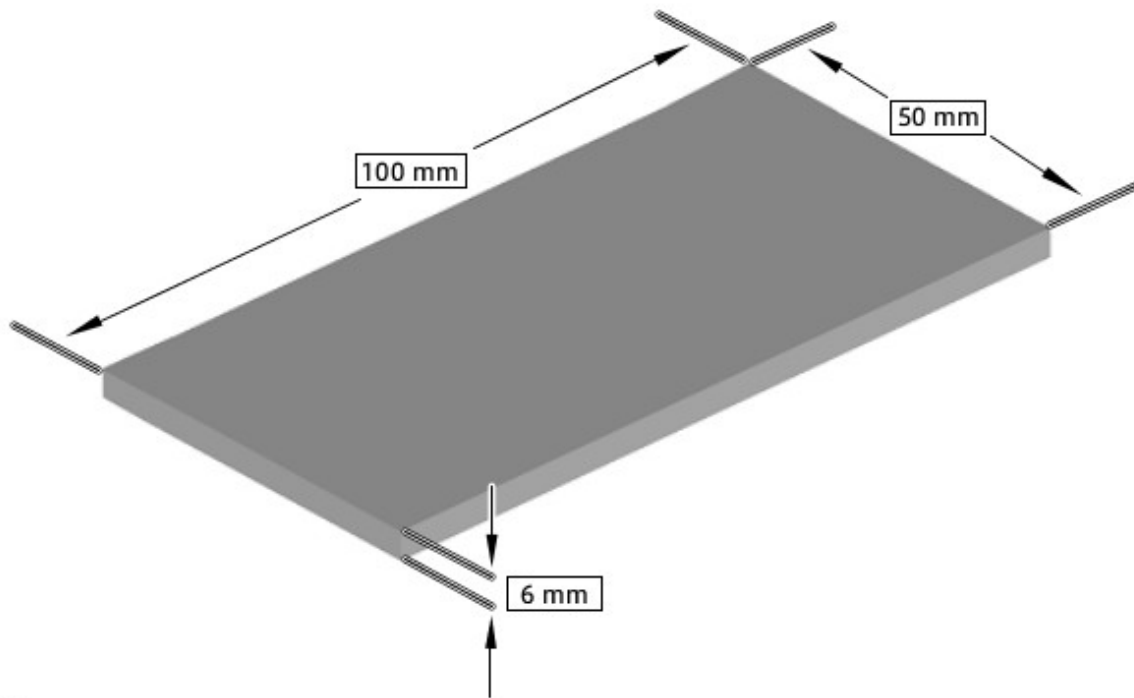


Insert a suitable tool between panels **(1)** and **(2)** as identified in Step 7 to separate the body panels.

9

 **NOTE:**

\*Land Rover part number LR056022 may be used as a suitable hard foam/rubber pad.



E220005

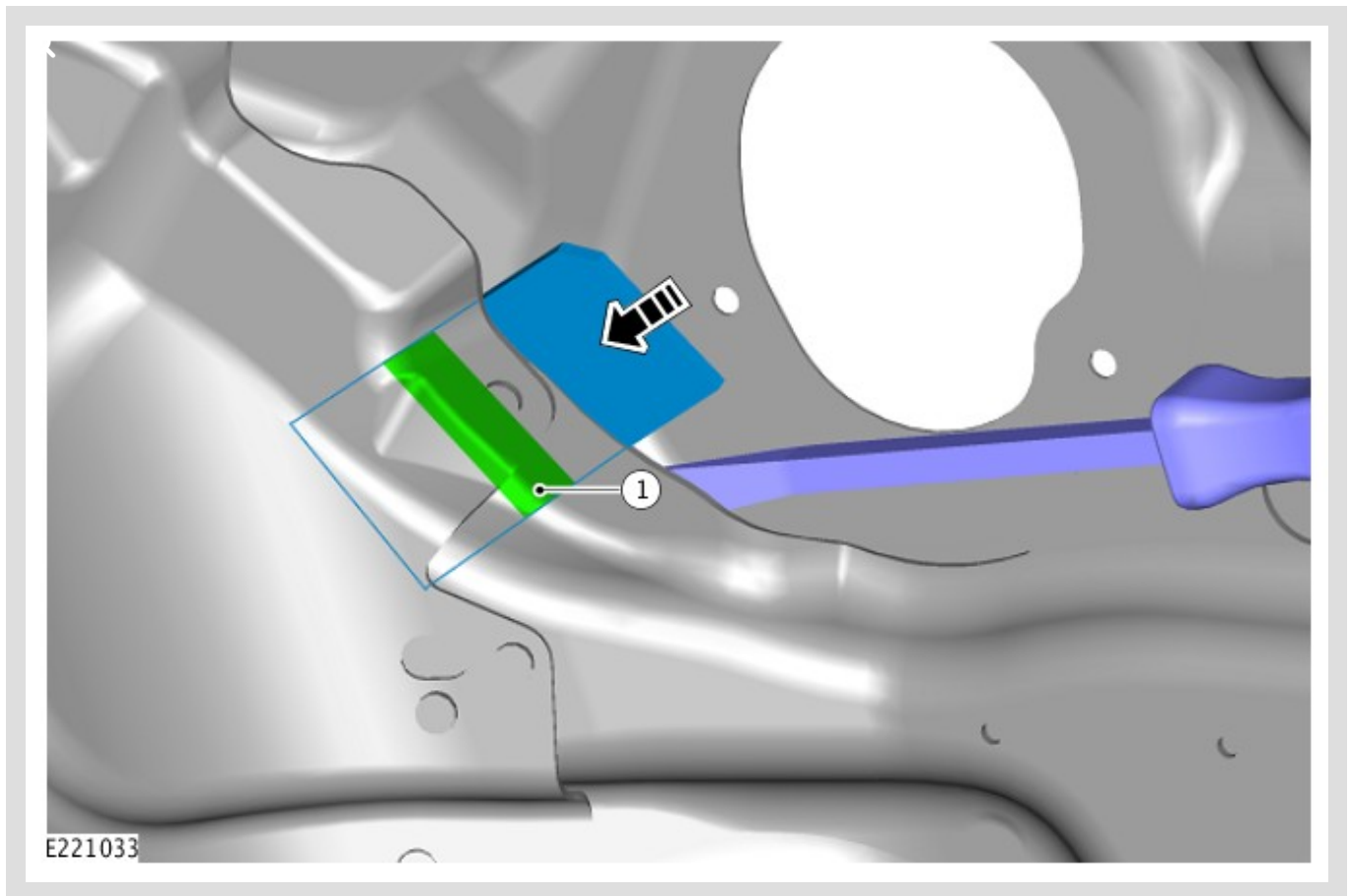
Locally source a suitable piece of hard foam/rubber pad with the illustrated dimensions.

10

### NOTES:

- Right-hand Drive (RHD) shown; Left-hand Drive (LHD) similar.
- Insert the foam pad as far into the gap between the body panels as possible.
- **(1)** shows the contact area of the body panels. In this area the body panels must be insulated from each other.

\*Land Rover part number LR056022 may be used as a suitable hard foam/rubber pad.

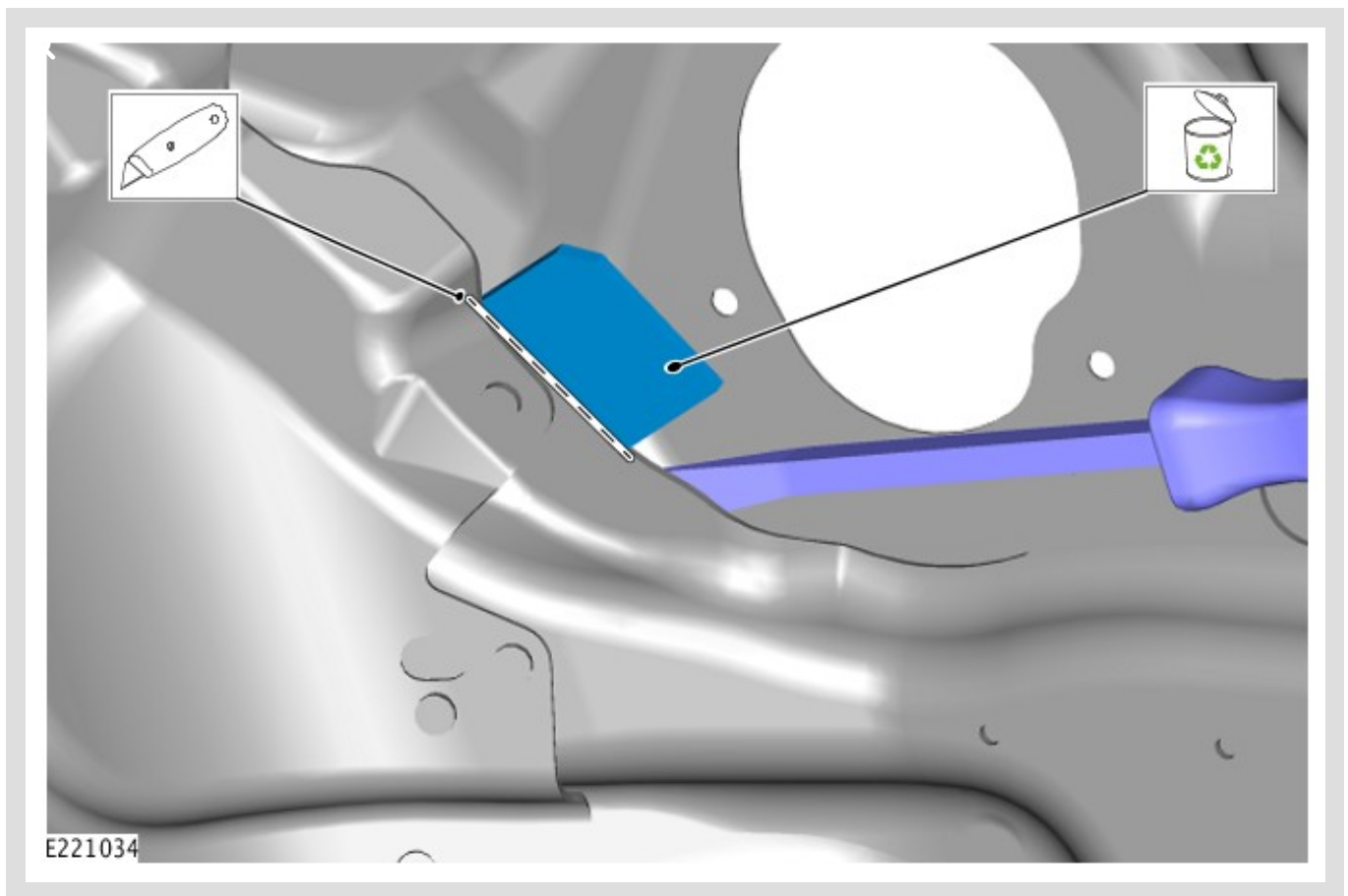


Install the foam pad/rubber pad into the gap between the body panels.

11

**NOTE:**

Right-hand Drive (RHD) shown; Left-hand Drive (LHD) similar.

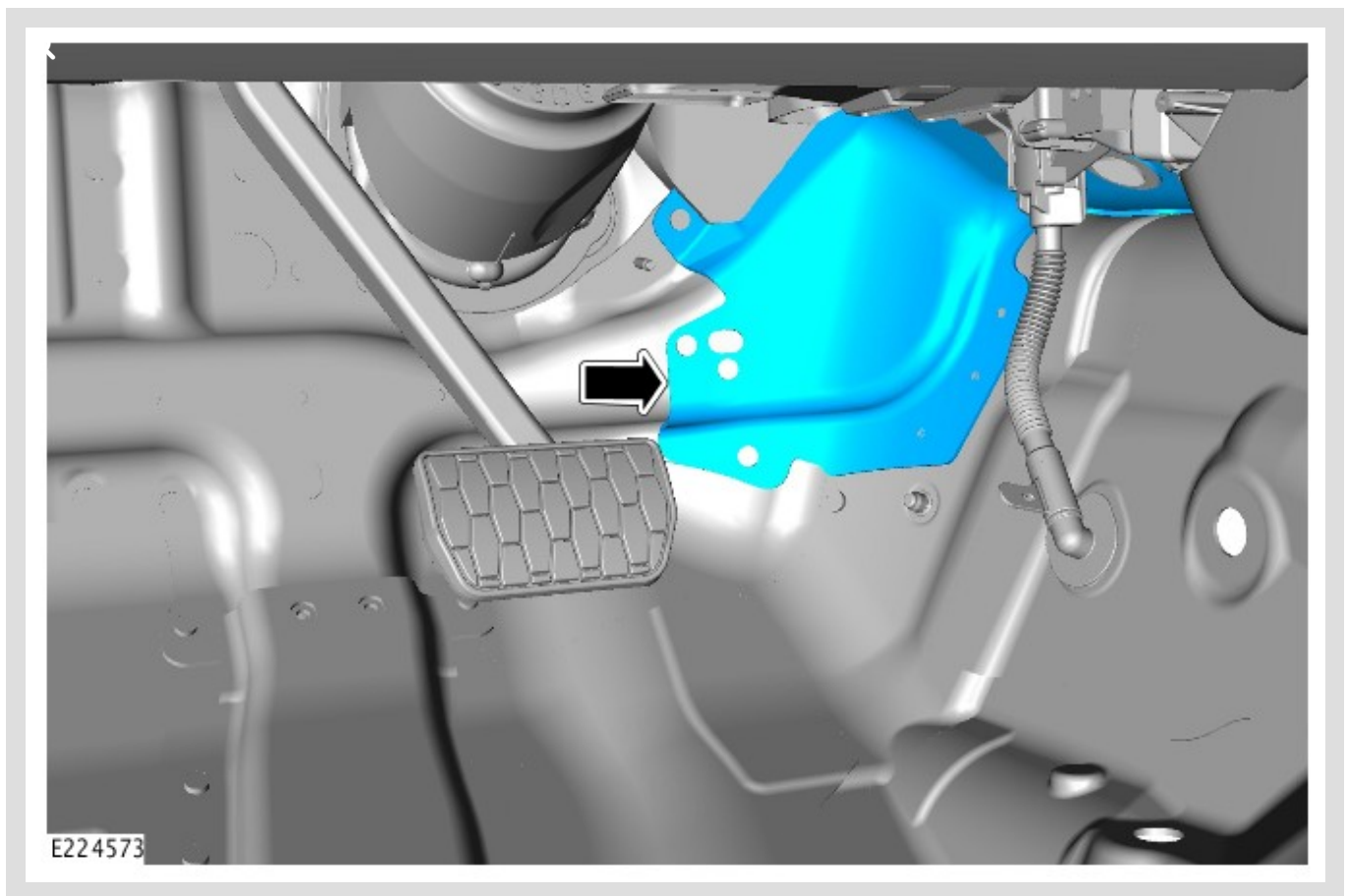


Cut and discard the excess hard foam showing from the body panels.

12

 **NOTE:**

Left-hand Drive (LHD) shown.



Locate the panel.

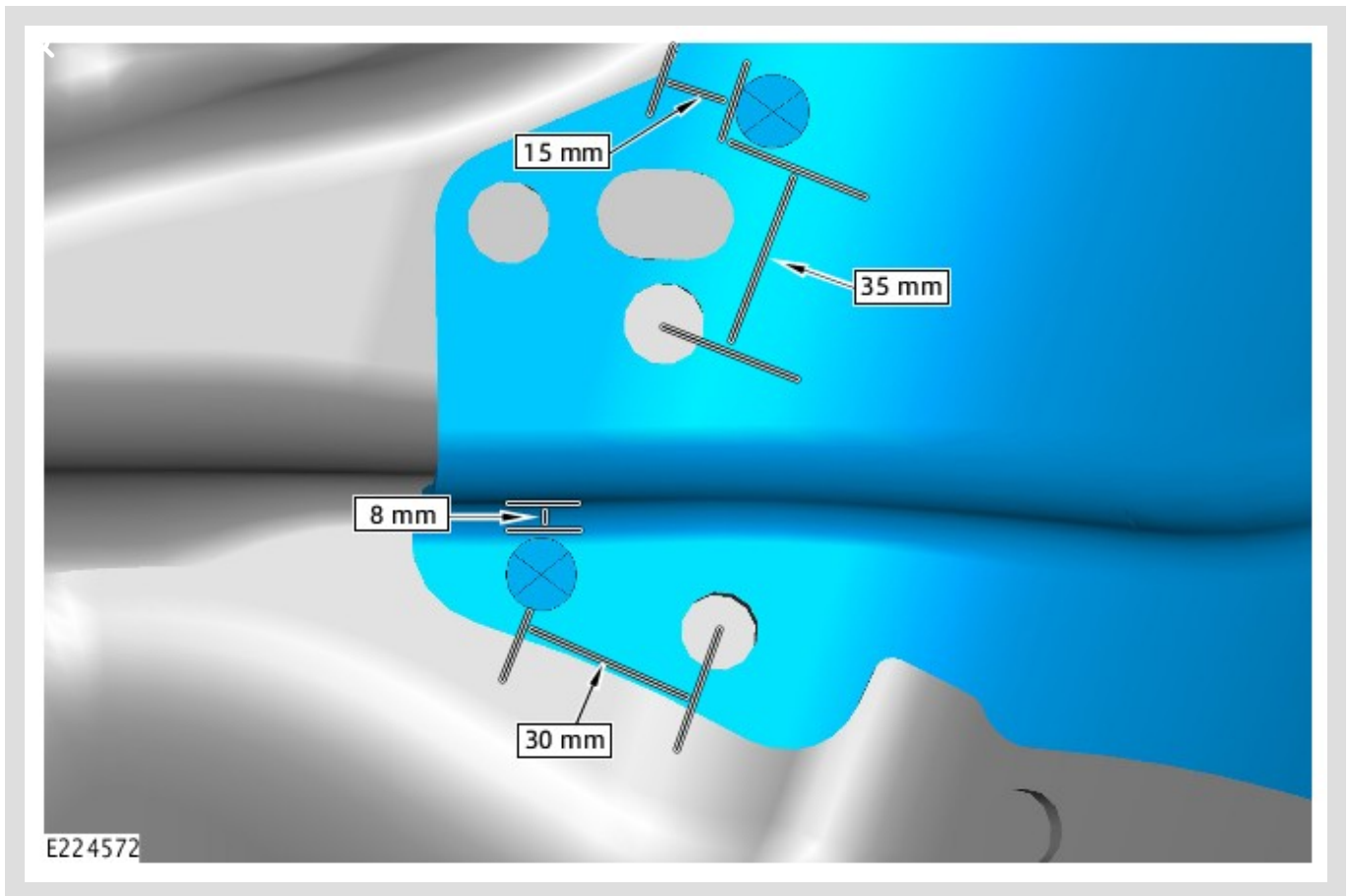
13

**⚠ CAUTIONS:**

- A locally sourced zinc-rich primer must be applied to any bare metal surfaces.
- A new drill must be used for each vehicle repaired. Failure to do this may lead to galvanic corrosion on the vehicle body.

**⚠ NOTE:**

Left-hand Drive (LHD) shown.



Drill 2 (two) 7mm-diameter holes in the bulkhead panel as shown.

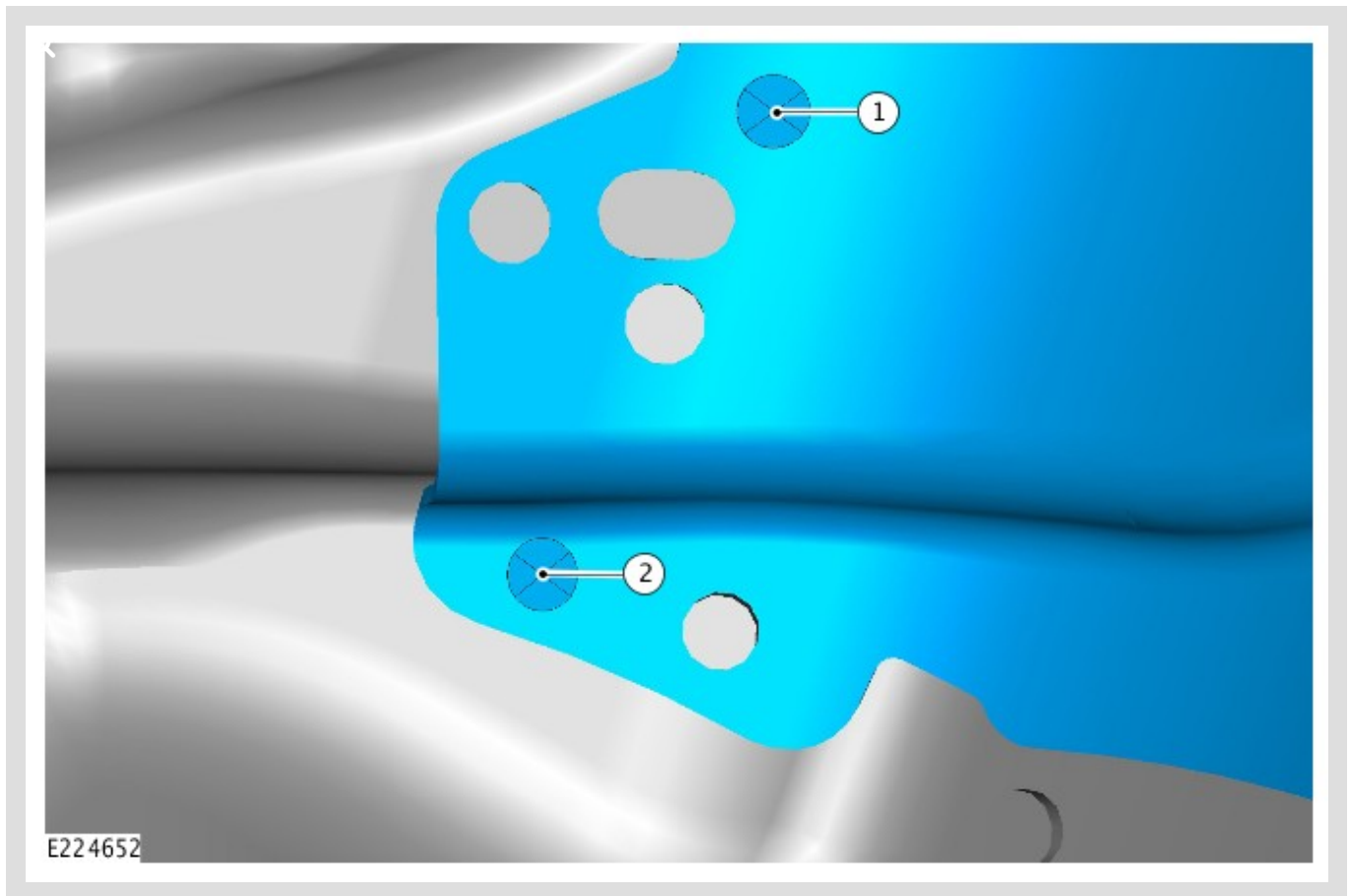
14

### ⚠ CAUTIONS:

- A locally sourced zinc-rich primer must be applied to any bare metal surfaces.
- The breakstem fasteners must be fully inserted through all the panels before installation.
- Only install 2 breakstem fasteners.

### ⚠ NOTE:

Left-hand Drive (LHD) shown.



Install 2 breakstem fasteners as follows:

- 1 x **C2C36026** must be installed in position **(1)**.
- 1 x **C2C22613** must be installed in position **(2)**.

15 Reverse Steps 1-6.