



Special Tools Bulletin

TITLE:

Newsletter 78: Mandatory Tools

NO: 226	ISSUE DATE: 2018-03-13	CAR MARKET: United States and Canada	Page 1 of 9
	STATUS DATE: 2018-03-13		

“Right first time in Time”

**Bosch Automotive Service Solutions
28635 Mound Road
Warren, MI 48092
Visit volvodealersolutions.com
Call 1-800-345-3399**

All tools have been classified as required, and will be allocated to all U.S. and Canadian Volvo retailers by Bosch Corporation. U.S. retailers will be billed by Volvo Cars of North America, LLC.

Overview of content:

<u>Art No.</u>	<u>Description</u>	<u>Standard</u>	<u>Art No.</u>	<u>Description</u>	<u>Standard</u>
9513113	CCM Adapter	C1	9997655	Drift	C1
9989904	Update Kit	C1	9997656	Drift	C1
9997638	Press Hat	C1	9997657	Drift	C1
9997639	Support	C1	9997658	Drift	C1
9997640	Support	C1	9997659	Puller	C1
9997645	Drift	C1	9997660	Drift	C1
9997646	Counterhold	C1	9997661	Ring	C1
9997647	Drift	C1	9997663	Locating Pin	C1
9997648	Counterhold	C1	9997666	Locating Pin	C1
9997649	Drift	C1	9997669	Key	C1
9997651	Counterhold	C1	9997670	Drift	C1
9997652	Drift	C1	9997671	Puller	C1
9997653	Counterhold	C1	9997672	Drift	C1
9997654	Counterhold	C1			C1

Service Personnel: Read and initial	SERVICE MANAGER	PARTS MANAGER	WORKSHOP FOREMAN	SERVICE TECHNICIANS									



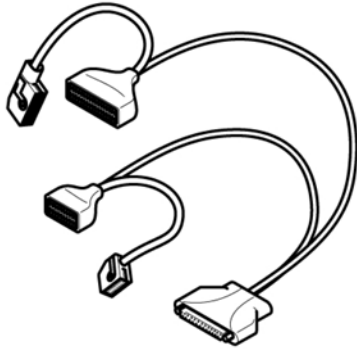
Kit contents:

Below is an overview of the standard/contents of the kit.

C1	
33300309	
9513113	CCM Adapter
9997638	Press hat
9997639	Support
9997640	Support
9997645	Drift
9997646	Counterhold
9997647	Drift

C1	
33300310	
9997648	Counterhold
9997649	Drift
9997651	Counterhold
9997652	Drift
9997653	Counterhold
9997654	Counterhold
9997655	Drift
9997656	Drift
9997657	Drift
9997658	Drift
9997659	Puller
9997660	Drift
9997661	Ring
9997663	Locating Pin
9997666	Locating Pin
9997669	Key

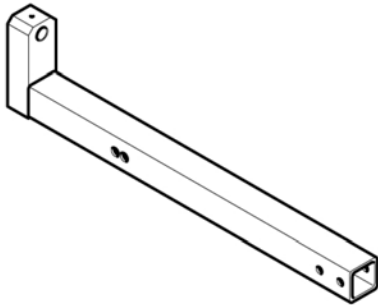
C1	
33300311	
9989904	Update Kit
9997670	Drift
9997671	Puller
9997672	Drift



9513113 CCM Adapter

Break Out Box-adapter.
Used when fault tracing CCM (Climate system Control Module) ECU.

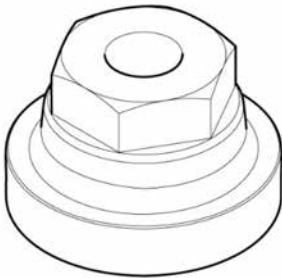
Tool standard	C1
Tool group	39.0
Tool bulletin	407
Model	XC40
Tool board	39



9989904 Update Kit

Used for disassembly/mounting of rear bushing in lower link arm. Update of 9997597 to version B.

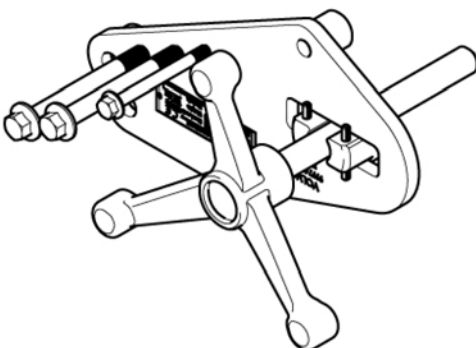
Tool standard	C1
Tool group	61.0
Tool bulletin	406
Model	XC90(16-), V90(17-), S90(17-), XC60(18-)
Tool board	61



9997638 Press Hat

Used for dismantling the steering ball joints .
Work together with Puller 9997622, Hydraulic pump 9512566 and Hydraulic cylinder 9512923.

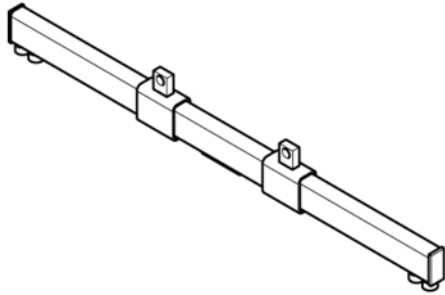
Tool standard	C1
Tool group	64.0
Tool bulletin	405
Model	XC40
Tool board	64



9997639 Support

Used for relieving engine bracket.

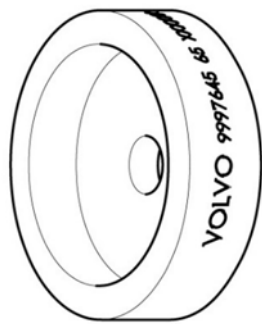
Tool standard	C1
Tool group	21.0
Tool bulletin	405
Model	XC40, 4-cylinder engines
Tool board	21



9997640 Support

Engine support to lift/hold engine. Used together with 9995716, version: D.

Tool standard	C1
Tool group	21.0
Tool bulletin	405
Model	XC40
Tool board	21



9997645 Drift

Used for disassembly / mounting of rear bushing in lower front link arm.

Tool standard	C1
Tool group	65.0
Tool bulletin	405
Model	XC40
Tool board	65



9997646 Counterhold

Used for disassembly/mounting of rear bushing in lower front link arm.

Tool standard	C1
Tool group	65.0
Tool bulletin	405
Model	XC40
Tool board	65



9997647 Drift

Used for disassembly of front bushing in lower front link arm.

Tool standard	C1
Tool group	65.0
Tool bulletin	405
Model	XC40
Tool board	65



9997648 Counterhold

Used for disassembly/mounting of front bushing in lower front link arm.

Tool standard	C1
Tool group	65.0
Tool bulletin	405
Model	XC40
Tool board	65



9997649 Drift

Used for mounting front bushing in lower front link arm.

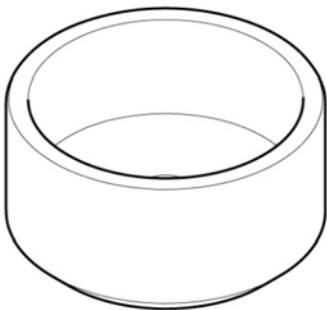
Tool standard	C1
Tool group	65.0
Tool bulletin	405
Model	XC40
Tool board	65



9997651 Counterhold

Used for disassembly final drive bushing on rear sub-frame.

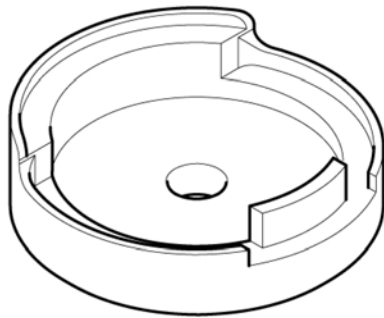
Tool standard	C1
Tool group	65.0
Tool bulletin	405
Model	XC40
Tool board	65



9997652 Drift

Used for disassembly/mounting final drive bushing on rear sub-frame.

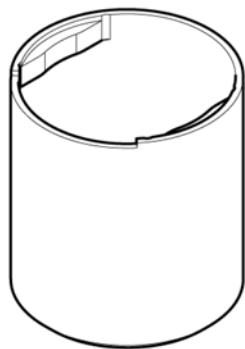
Tool standard	C1
Tool group	65.0
Tool bulletin	405
Model	XC40
Tool board	65



9997653 Counterhold

Used for mounting bushes final drive, rear sub-frame.

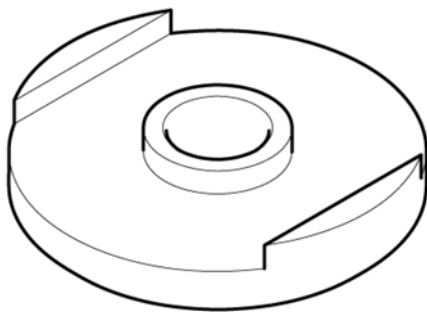
Tool standard	C1
Tool group	65.0
Tool bulletin	405
Model	XC40
Tool board	65



9997654 Counterhold

Used to disassemble/mount front bushings, rear sub-frame.

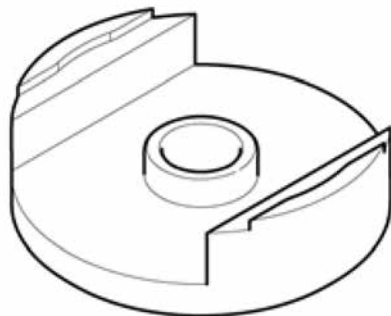
Tool standard	C1
Tool group	65.0
Tool bulletin	405
Model	XC40
Tool board	65



9997655 Drift

Used to disassemble front bushings, rear sub-frame.

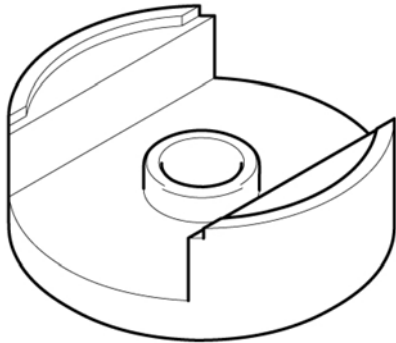
Tool standard	C1
Tool group	65.0
Tool bulletin	405
Model	XC40
Tool board	65



9997656 Drift

Used to mount front bushings, rear sub-frame.

Tool standard	C1
Tool group	65.0
Tool bulletin	405
Model	XC40
Tool board	65



9997657 Drift

Used to mount rear bushes, rear sub-frame.

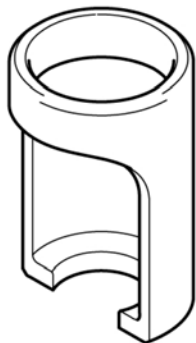
Tool standard	C1
Tool group	65.0
Tool bulletin	405
Model	XC40
Tool board	65



9997658 Drift

Used to disassemble rear wheel spindle bushing.

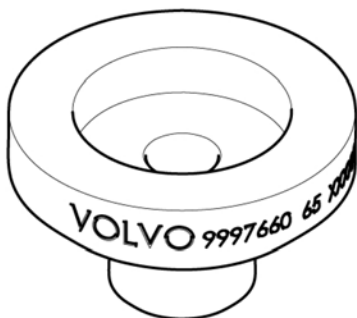
Tool standard	C1
Tool group	65.0
Tool bulletin	405
Model	XC40
Tool board	65



9997659 Puller

Used to disassemble/mount rear wheel spindle bushing.

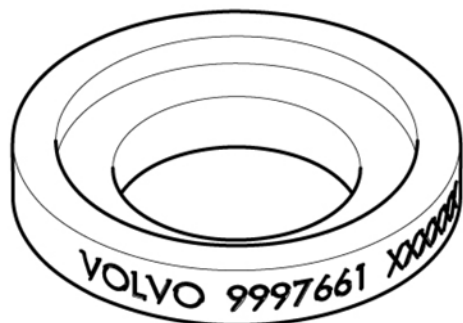
Tool standard	C1
Tool group	65.0
Tool bulletin	405
Model	XC40
Tool board	65



9997660 Drift

Used to mount rear wheel spindle bushing.

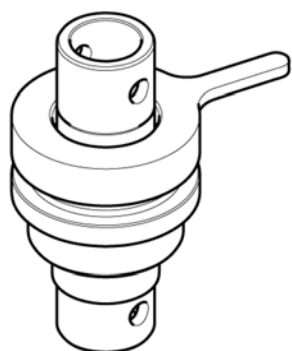
Tool standard	C1
Tool group	65.0
Tool bulletin	405
Model	XC40
Tool board	65



9997661 Ring

Used to mount rear wheel spindle bushing.

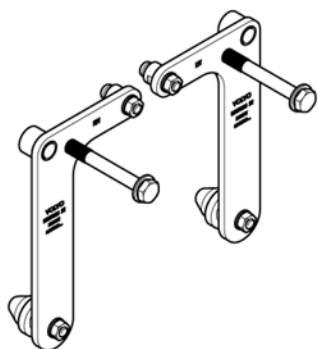
Tool standard	C1
Tool group	65.0
Tool bulletin	405
Model	XC40
Tool board	65



9997663 Locating Pin

Used to be able to position the rear sub-frame against the body.

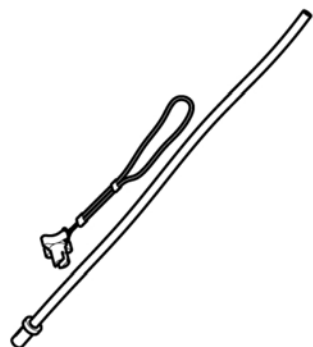
Tool standard	C1
Tool group	65.0
Tool bulletin	405
Model	XC40
Tool board	65



9997666 Locating Pin

Used to be able to position front sub-frame to body. Left and right, 2 parts.

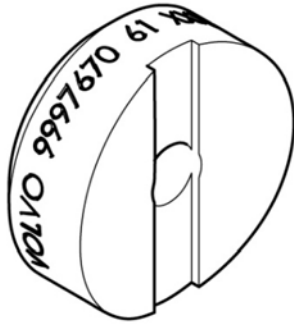
Tool standard	C1
Tool group	21.0
Tool bulletin	405
Model	XC40
Tool board	21



9997669 Key

Used when emptying coolant.

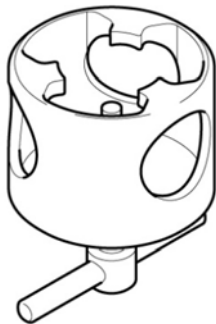
Tool standard	C1
Tool group	26.0
Tool bulletin	405
Model	XC40
Tool board	20



9997670 Drift

Used for disassembly/mounting of rear bushing in lower front link arm.

Tool standard	C1
Tool group	61.0
Tool bulletin	406
Model	XC90(16-), V90(17-), S90(17-), XC60(18-)
Tool board	61



9997671 Puller

Used when disassembling tripod, replacing inner drive shaft joint.

Tool standard	C1
Tool group	46.0
Tool bulletin	406
Model	XC90(18-), V90(18-), S90(18-), XC60(18-)
Tool board	46



9997672 Drift

Used when mounting tripod, replacing inner drive shaft joint.

Tool standard	C1
Tool group	46.0
Tool bulletin	406
Model	XC90(18-), V90(18-), S90(18-), XC60(18-)
Tool board	46