



Technical Journal

TITLE:

Noise from deco door panel when playing music

REF NO: TJ 33228.1.0	ISSUING DEPARTMENT: Technical Service	CAR MARKET: United States and Canada	
PARTNER: 3 US 7510 Volvo Car USA		ISSUE DATE: 2018-03-08	STATUS DATE: 2018-03-13
FUNC GROUP: 8511	FUNC DESC: Door upholstery	Page 1 of 11	

“Right first time in Time”

Attachment

File Name	File Size
TJ 33228.pdf	3.4300 MB

Vehicle Type

Type	Eng	Eng Desc	Sales	Body	Gear	Steer	Model Year	Plant	Chassis range	Struc Week Range
246							2018-9999		0000390-0999999	201717-999952

CSC Customer Symptom Codes

Code	Description
G8	Doors/Squeak/rattle/Front side door

VST Operation Number

VST Operation Number	Description
98703-2	Decor panel front door x2 adjust acc. to TJ33228

DTC Diagnostic Trouble Codes

Text

**DESCRIPTION:**

If a buzzing noise is heard from the upper part of door panel in front doors when playing music, follow the method under Service.

SERVICE:

For cars with Premium sound: use foam p/n 3540111, for other cars use tape p/n 30788314
Follow instructions in attachment TJ 33228.pdf.

VEHICLE REPORT:

Yes, please submit a Vehicle Report if the service solution described in this TJ has no effect. Use concern area "Vehicle Report" and sub concern area "Support not needed", use function group 8511.

To view TJ attachment continue to next page. This TJ has one attachment.



Volvo Car Customer Service

TJ Instruction VCC-508722-2

Title	Decor panel, door	Page	1 (9)
Action	Product fix	Operation number:	98703-2

Issue	Date	Reason
1	2017-12	First issue
2	2018-02	Materials list change

Affected vehicles

Model year	Model
2018	XC60 (18-)

Materials

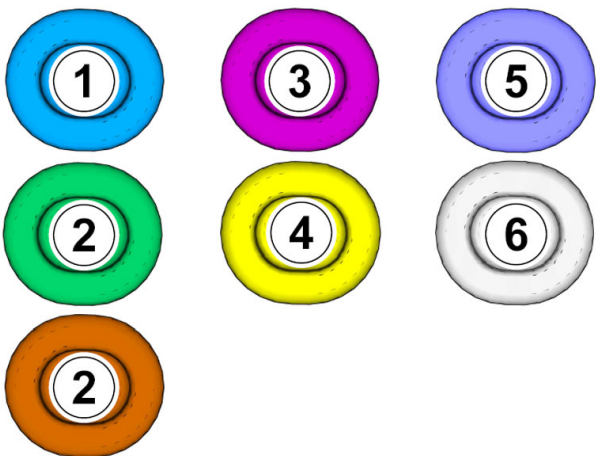
Materials	Qty.	Part No.	Notes
Anti-squeak tape	0.01	30788314	High Performance Soundsystem;
Foam plastic	2.0	3540111	Premium Soundsystem;
Clip	2.0	31699825	

Equipment

Designation	Part No.
Electrician's screwdriver	
Interior trim remover	

Removal

Note! Removal steps in this procedure may contain installation details.



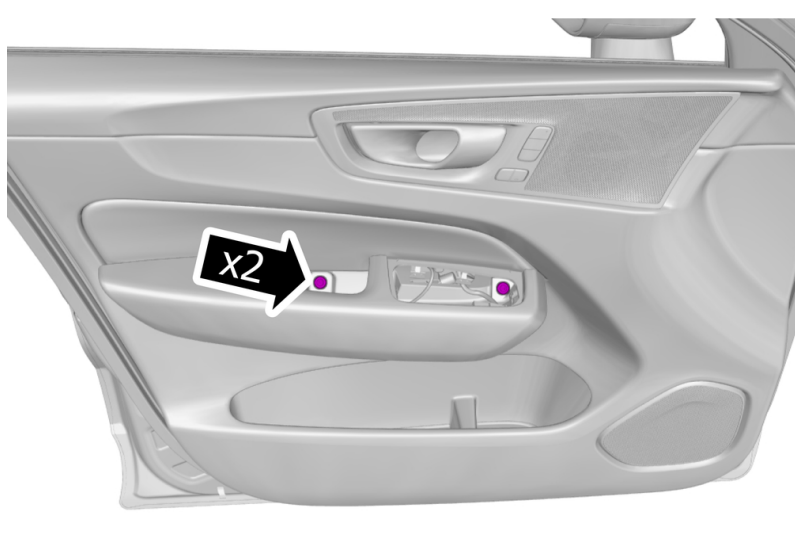
- 1 . Used for focused component, the component with which you will do something.
- 2 . Used as extra colors when you need to show or differentiate additional parts.
- 3 . Used for attachments that are to be removed/installed. May be screws, clips, connectors, etc.
- 4 . Used when the component is not fully removed from the vehicle but only hung to the side.
- 5 . Used for standard tools and special tools.
- 6 . Used as background color for vehicle components.

Applies to front door

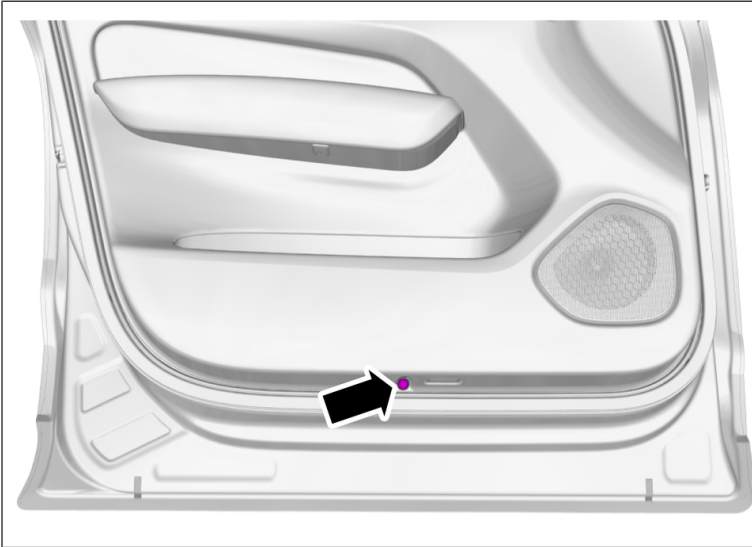
Remove window control switch front , refer to:
Removal, replacement and installation
3 - Electrical system
36 - Other electrical equipment
364 - electrical item



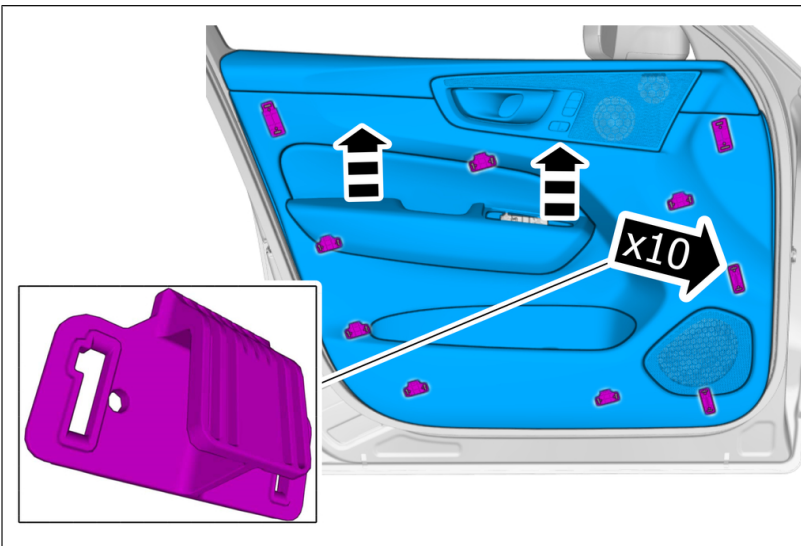
Remove the marked part.
Interior trim remover



Remove the screws.

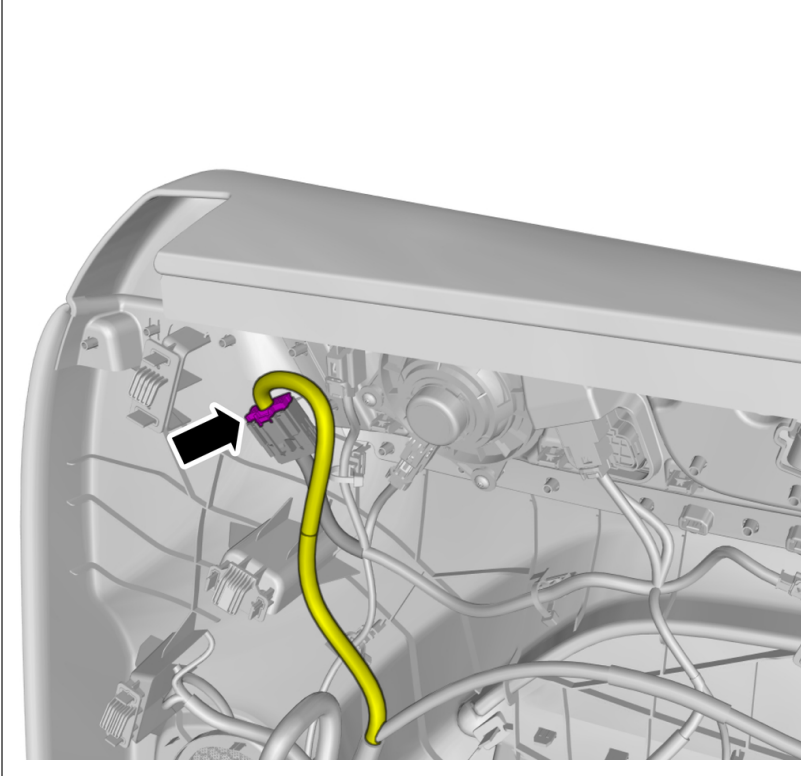


Torque:
M5 , 5 Nm
Remove the screw.



Remove the marked part.

Disconnect the connector.



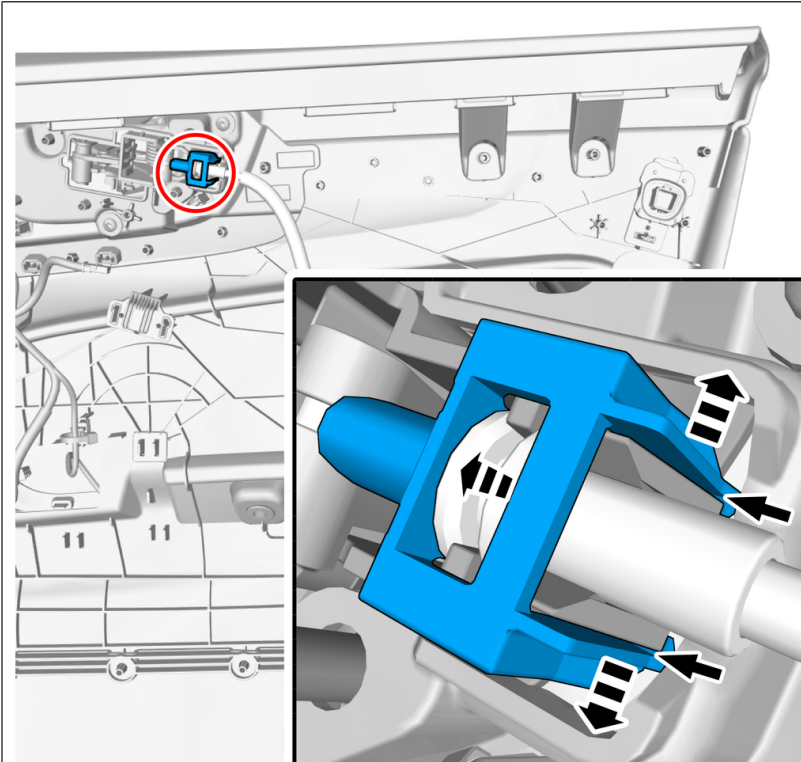
Release the catches.

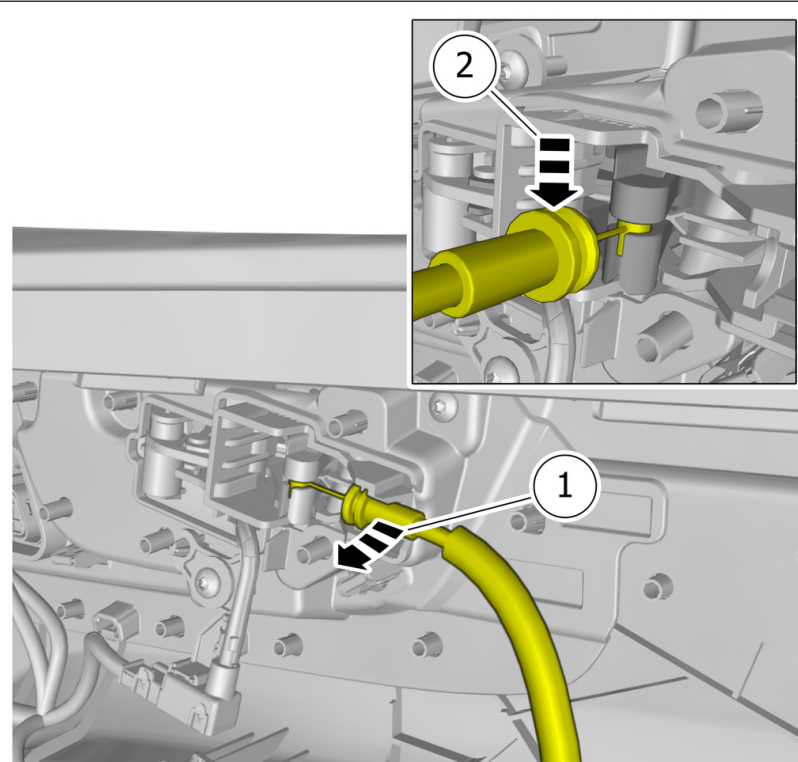
Use: Electrician's screwdriver

Remove the marked part.

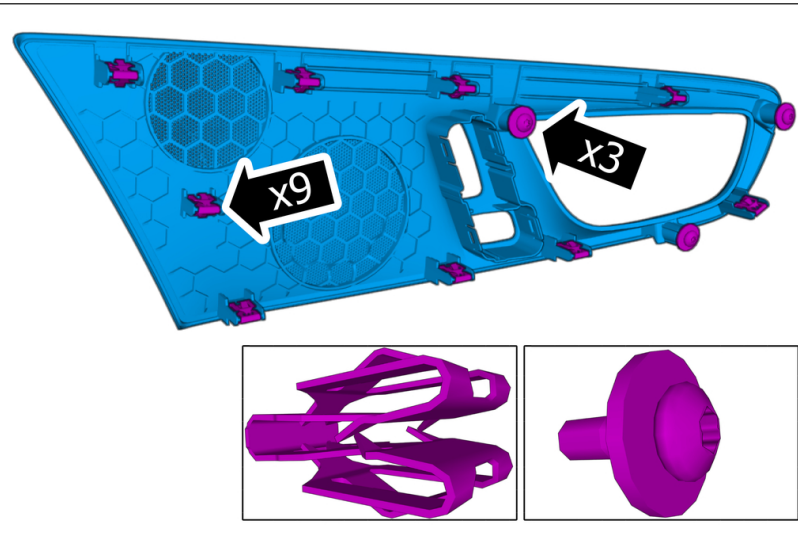
The part is not to be reused.

Make sure to replace the marked component with a new.



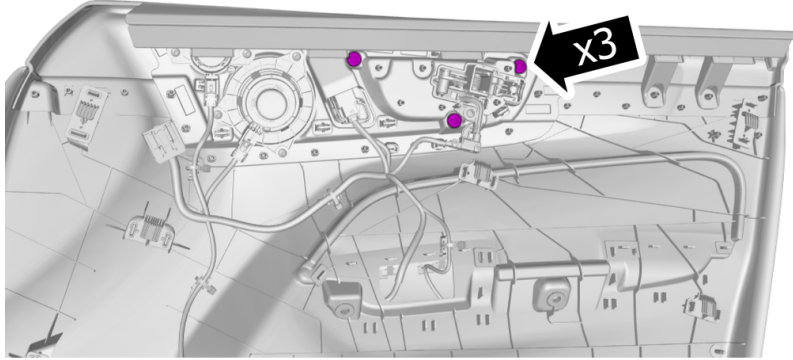


Remove the part carefully

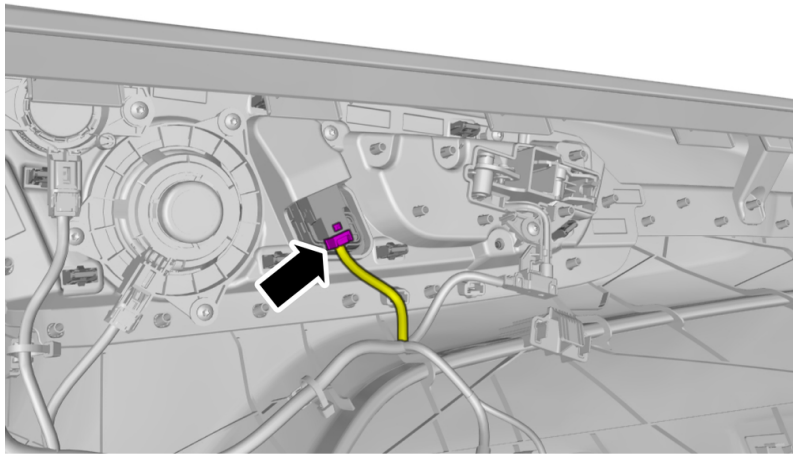


Note! The graphic shows the back of the component before removal.

Remove the screws.



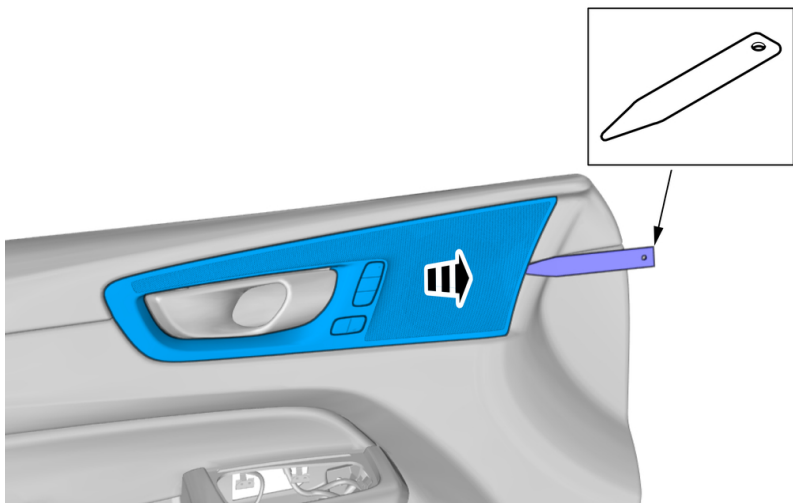
Disconnect the connector.



Use: Interior trim remover

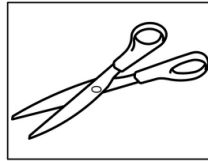
Remove the part carefully

Remove the marked part.



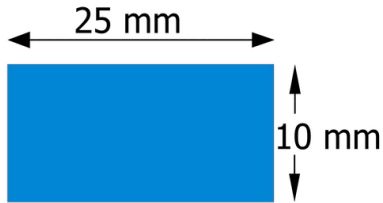
Vehicle with high performance sound system.

x2



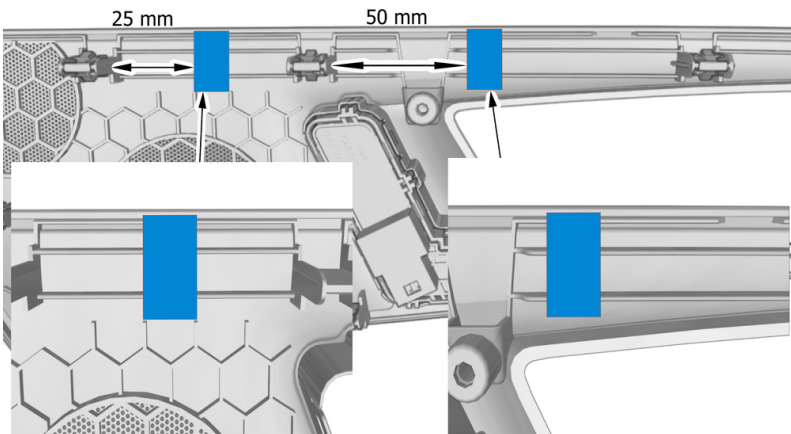
Note! Only use the specified material.

Use: Anti-squeak tape , 30788314



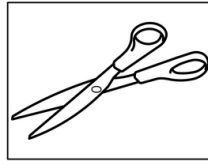
Note! Note the position.

Install the marked components.



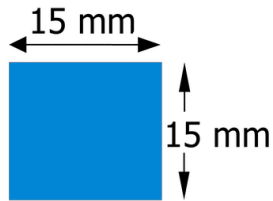
Vehicle with Premium sound system.

x2



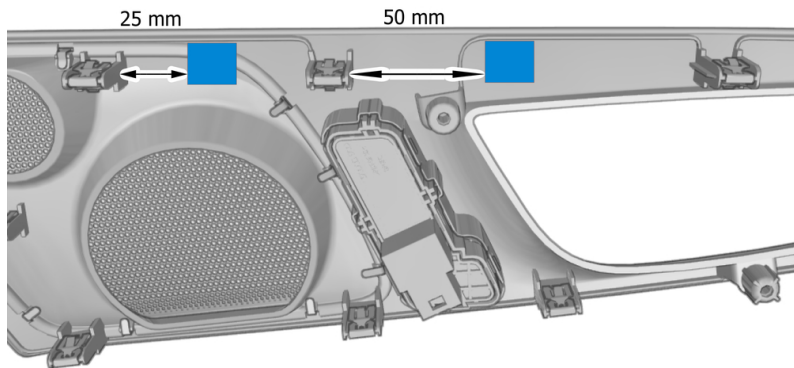
Note! Only use the specified material.

Use: Foam plastic , 3540111



Note! Note the position.

Install the marked components.



Repeat all method steps for the other side.

Installation

To install, reverse the removal procedure.