



Technical Service Bulletin

60 Repair information for Panoramic sunroofs

60 19 28 2054480/1 April 12, 2019.

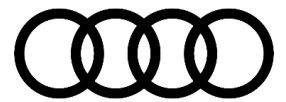
Model(s)	Year	VIN Range	Vehicle-Specific Equipment
A3 Sportback e-tron	2018	All	Panoramic sunroof
A3, A5, and A5 Sportback,	2018 - 2020	All	Panoramic sunroof
A6, A7 and A8	2019 - 2020	All	Panoramic sunroof

Condition

This Technical Service Bulletin provides information concerning the diagnosis and repair of the Panoramic sunroof.

Technical Background

The Panoramic sunroof installed on the vehicles for which this TSB appears is of a 'modular' concept. As a result, repairs that may become necessary that involve part replacement may not require replacement of the entire sunroof frame. Individual sunroof mechanical components are available separately. The repair manual contains specific information on a replacement for these components.



Technical Service Bulletin

1. A typical configuration for an A5 Coupe or A5 Sportback.

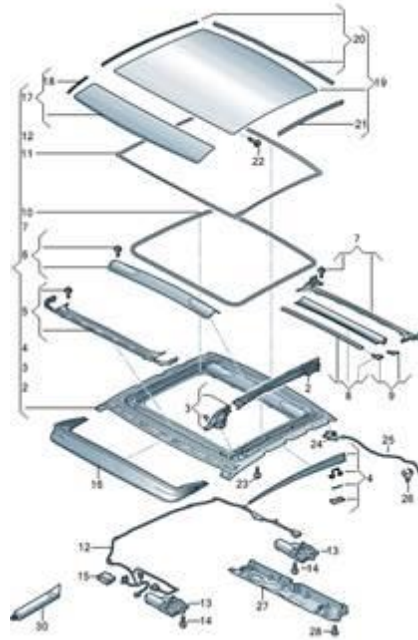


Figure 1. Sunroof configuration on the A5 Coupe and A5 Sportback.

2. A typical configuration for an A3 Sedan or A3 Sportback e-tron.

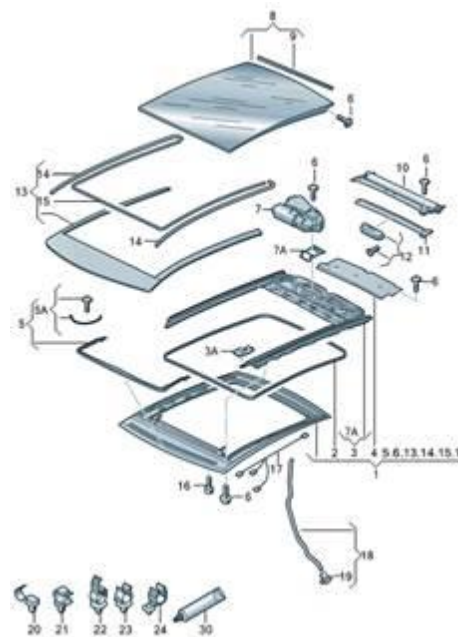


Figure 2. Sunroof configuration on the A3 Sedan and A3 Sportback e-tron.



Technical Service Bulletin

3. A typical configuration for an A6.

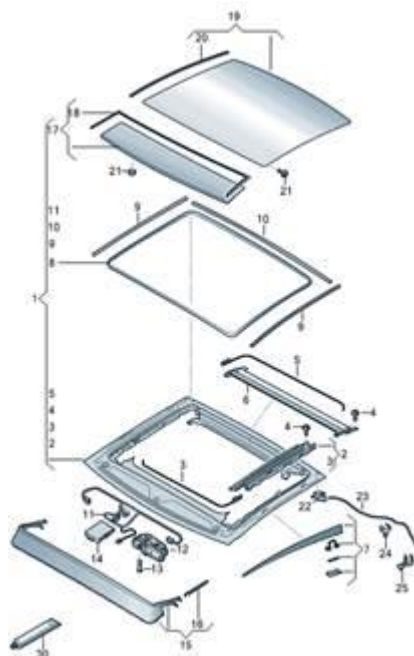


Figure 3. Sunroof configuration on the A6.

4. A typical configuration for an A7.

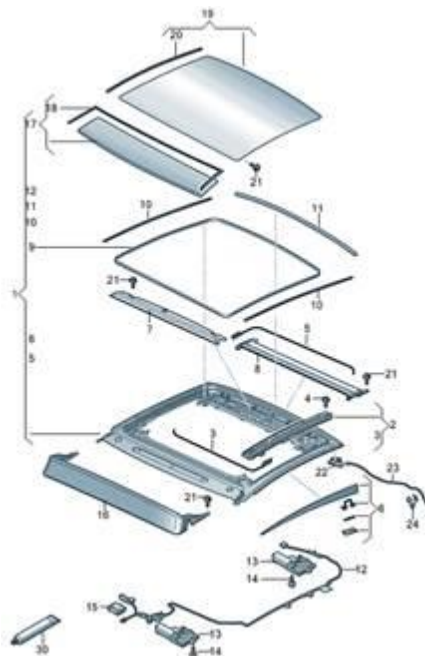


Figure 4. Sunroof configuration on the A7.



Technical Service Bulletin

5. A typical configuration for an A8.

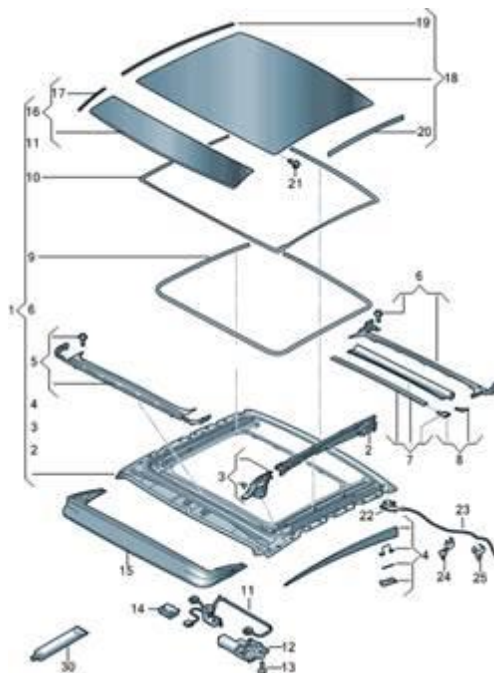


Figure 5. Sunroof configuration on the A8.

Sunroof components replaced and sent for submission will be analyzed. If replaced, the components that are found to be without a technical issue they will be returned and the claim debited.



Note:

Should the mechanical components of the Panoramic sunroof require servicing, repair or replacement then use service number 6035.

Production Solution

Not applicable.

Service

Consult the appropriate repair manual section for repair guidance.



Technical Service Bulletin

Warranty

This TSB is informational only and not applicable to any Audi Warranty.

Additional Information

All parts and service references provided in this TSB (2054480) are subject to change and/or removal. Always check with your Parts Department and/or ETKA for the latest information and parts bulletins. Please check the Repair Manual for fasteners, bolts, nuts, and screws that require replacement during the repair.

©2019 Audi of America, Inc. All rights reserved. The information contained in this document is based on the latest information available at the time of printing and is subject to the copyright and other intellectual property rights of Audi of America, Inc., its affiliated companies and its licensors. All rights are reserved to make changes at any time without notice. No part of this document may be reproduced, stored in a retrieval system, or transmitted in any form or by any means, electronic, mechanical, photocopying, recording, or otherwise, nor may these materials be modified or reposted to other sites without the prior expressed written permission of the publisher.