



Technical Service Bulletin

SUBJECT:		No: TSB-19-54-009	
UPDATES TO ELECTRICAL WIRING DIAGRAMS - SERVICE MANUAL REVISION		DATE: March 2019	
		MODEL: See below	
CIRCULATE TO:	<input type="checkbox"/> GENERAL MANAGER	<input checked="" type="checkbox"/> PARTS MANAGER	<input checked="" type="checkbox"/> TECHNICIAN
<input checked="" type="checkbox"/> SERVICE ADVISOR	<input checked="" type="checkbox"/> SERVICE MANAGER	<input type="checkbox"/> WARRANTY PROCESSOR	<input type="checkbox"/> SALES MANAGER

PURPOSE

This TSB updates the Circuit Diagrams section of the affected Service Manuals for the following areas:

- Taillight, Position Light, Rear Side Marker Light, License Plate Light and Lighting Monitor/Light Reminder Tone Alarm
- Glove Box Light, and Floor Console Box Light
- Heated Seat

AFFECTED VEHICLES

- 2007, 2014 - 2019 Outlander

AFFECTED SERVICE MANUALS

- 2007, 2014 - 2019 Outlander Service Manual, Group 90-Circuit Diagrams

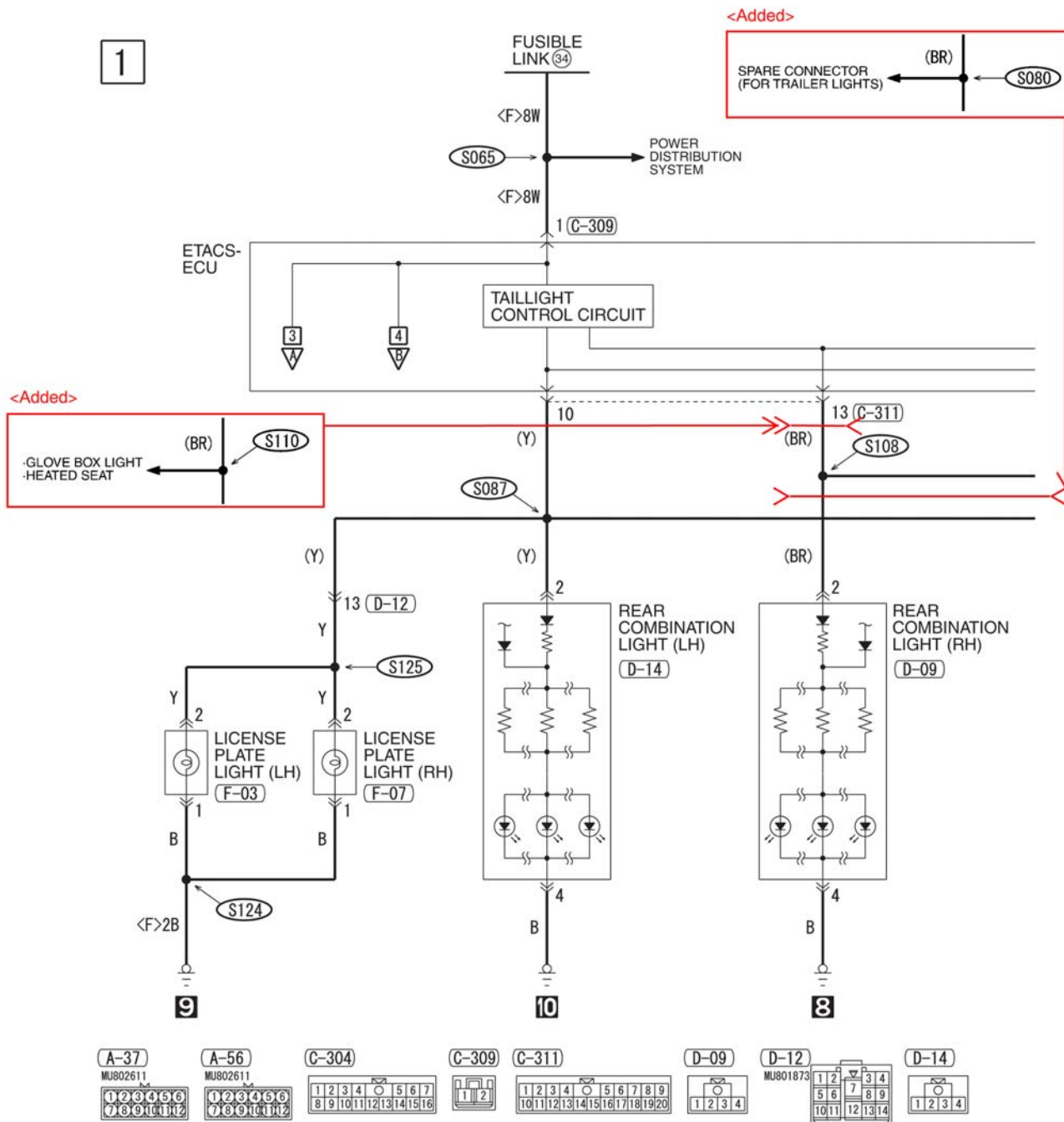


Please make the indicated changes below to the 2007 Outlander Service Manual, Group 90-Circuit Diagrams, "Taillight, Position Light, Rear Side Marker Light, License Plate Light and Lighting Monitor Tone Alarm" diagram.

CIRCUIT DIAGRAMS

POSITION LIGHT, REAR SIDE MARKER LIGHT, LICENSE PLATE LIGHT AND LIGHTING MONITOR TONE ALARM

TAILLIGHT, POSITION LIGHT, REAR SIDE MARKER LIGHT, LICENSE PLATE LIGHT AND LIGHTING MONITOR TONE ALARM

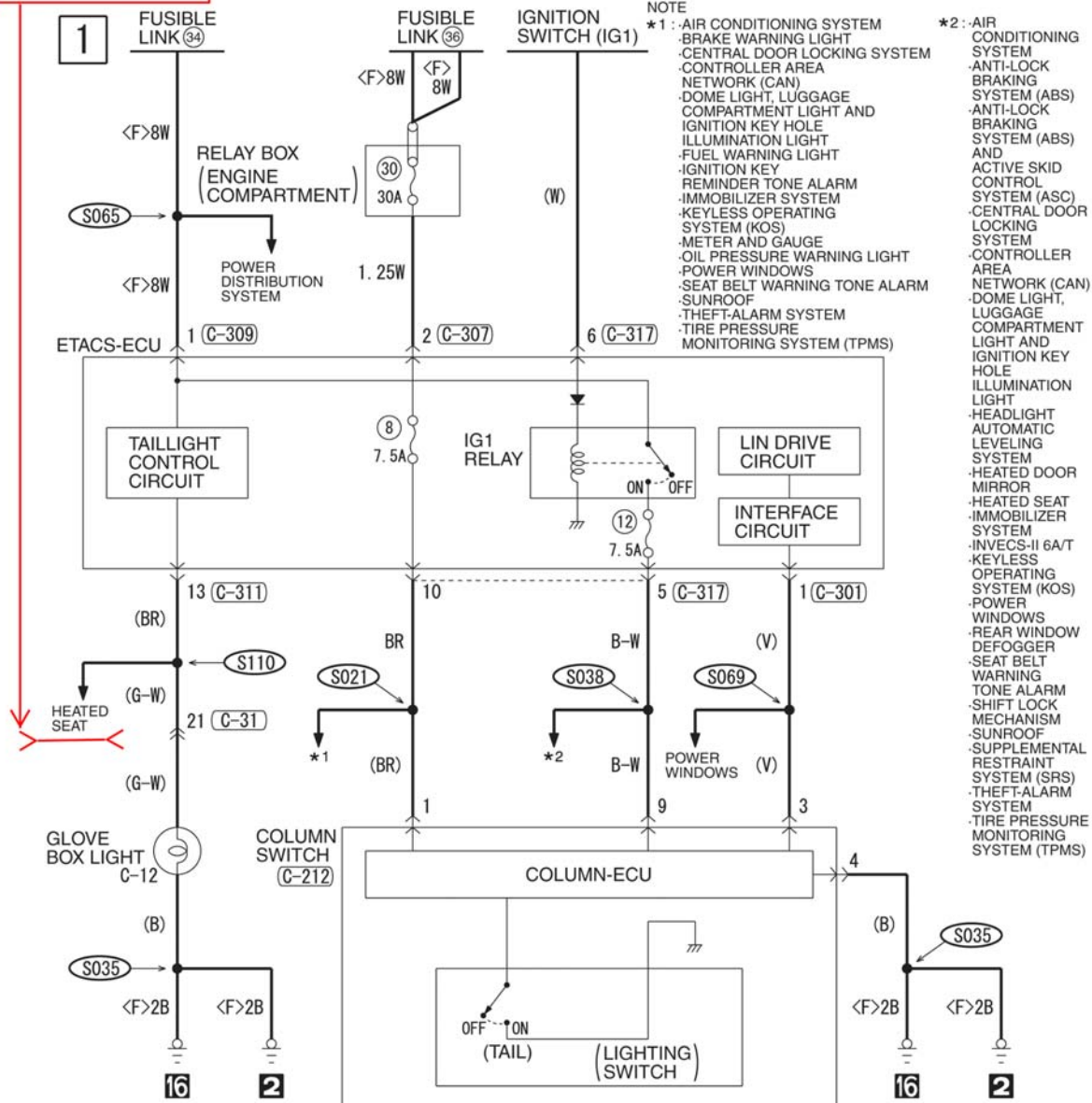


Please make the indicated changes below to the 2007 Outlander Service Manual, Group 90-Circuit Diagrams, "Glove Box Light" diagram.

CIRCUIT DIAGRAMS
GLOVE BOX LIGHT

GLOVE BOX LIGHT

<Added>
- SPARE CONNECTOR (FOR TRAILER LIGHTS)
- TAILLIGHT, POSITION LIGHT, REAR SIDE MARKER LIGHT, LICENSE PLATE LIGHT AND LIGHTING MONITOR TONE ALARM



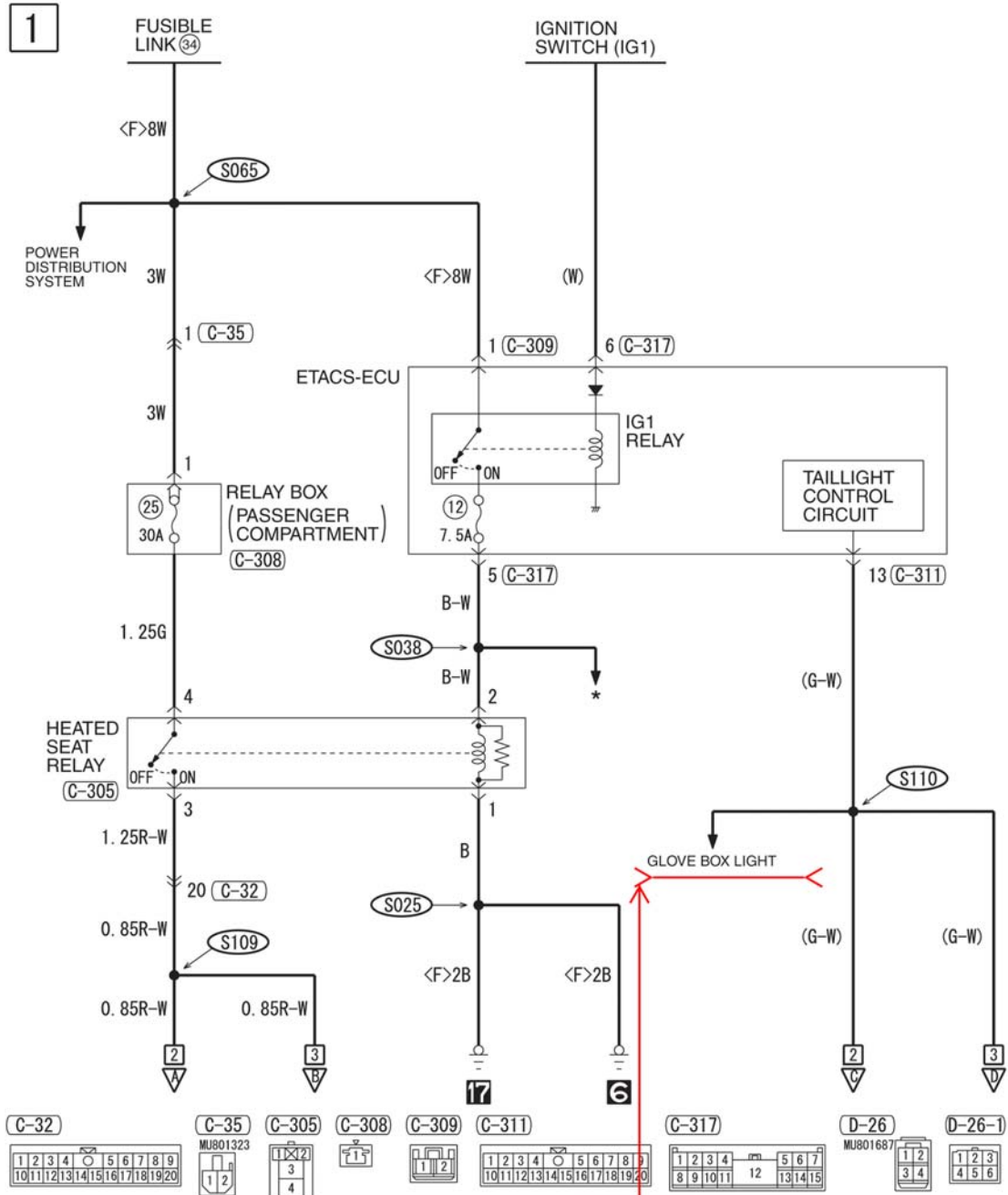
- NOTE
- *1 : AIR CONDITIONING SYSTEM
 - BRAKE WARNING LIGHT
 - CENTRAL DOOR LOCKING SYSTEM
 - CONTROLLER AREA NETWORK (CAN)
 - DOME LIGHT, LUGGAGE COMPARTMENT LIGHT AND IGNITION KEY HOLE ILLUMINATION LIGHT
 - FUEL WARNING LIGHT
 - IGNITION KEY
 - REMINDER TONE ALARM
 - IMMOBILIZER SYSTEM
 - KEYLESS OPERATING SYSTEM (KOS)
 - METER AND GAUGE
 - OIL PRESSURE WARNING LIGHT
 - POWER WINDOWS
 - SEAT BELT WARNING TONE ALARM
 - SUNROOF
 - THEFT-ALARM SYSTEM
 - TIRE PRESSURE MONITORING SYSTEM (TPMS)
- *2 : AIR CONDITIONING SYSTEM
 - ANTI-LOCK BRAKING SYSTEM (ABS)
 - ANTI-LOCK BRAKING SYSTEM (ABS) AND ACTIVE SKID CONTROL SYSTEM (ASC)
 - CENTRAL DOOR LOCKING SYSTEM
 - CONTROLLER AREA NETWORK (CAN)
 - DOME LIGHT, LUGGAGE COMPARTMENT LIGHT AND IGNITION KEY HOLE ILLUMINATION LIGHT
 - HEADLIGHT AUTOMATIC LEVELING SYSTEM
 - HEATED DOOR MIRROR
 - HEATED SEAT
 - IMMOBILIZER SYSTEM
 - INVECS-II 6A/T KEYLESS OPERATING SYSTEM (KOS)
 - POWER WINDOWS
 - REAR WINDOW DEFOGGER
 - SEAT BELT WARNING TONE ALARM
 - SHIFT LOCK MECHANISM
 - SUNROOF
 - SUPPLEMENTAL RESTRAINT SYSTEM (SRS)
 - THEFT-ALARM SYSTEM
 - TIRE PRESSURE MONITORING SYSTEM (TPMS)



Please make the indicated changes below to the 2007 Outlander Service Manual, Group 90-Circuit Diagrams, "Heated Seat" diagram.

**CIRCUIT DIAGRAMS
 HEATED SEAT**

HEATED SEAT



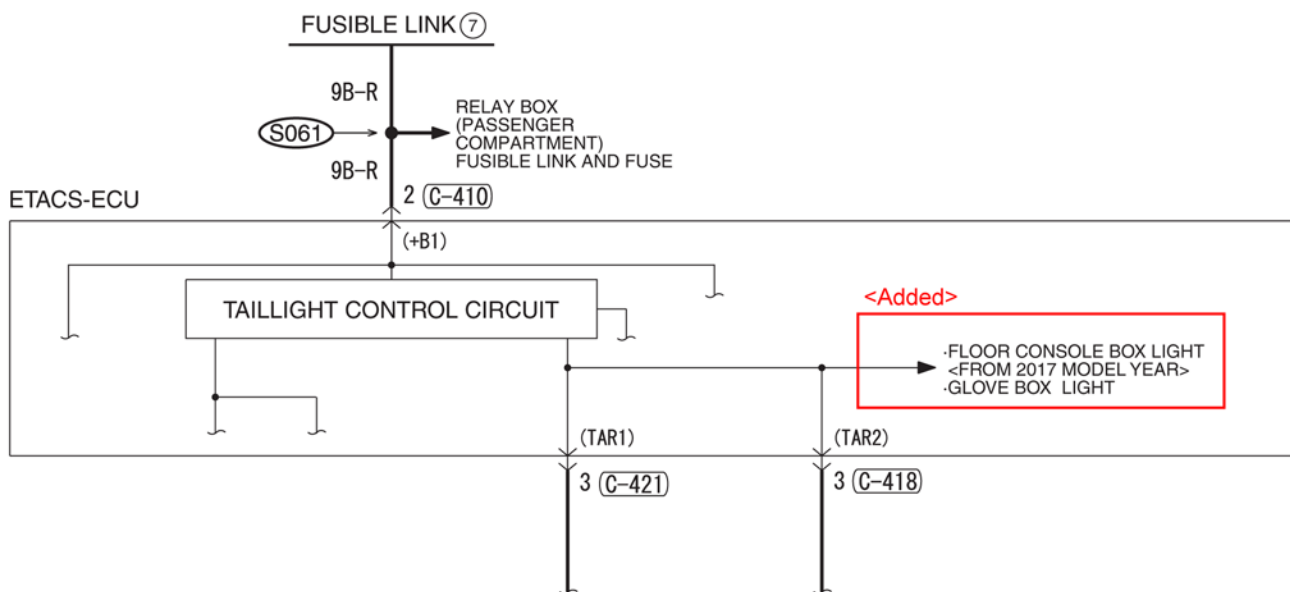
<Added>

- SPARE CONNECTOR (FOR TRAILER LIGHTS)
- TAILLIGHT, POSITION LIGHT, REAR SIDE MARKER LIGHT, LICENSE PLATE LIGHT AND LIGHTING MONITOR TONE ALARM

Please make the indicated changes below to the 2014 - 2019 Outlander Service Manual, Group 90-Circuit Diagrams, "Taillight, Position Light, Rear Side Marker Light, License Plate Light and Light Reminder Tone Alarm" diagram.

NOTE: The diagram below shows a typical circuit for 2017 model year Outlander.

TAILLIGHT, POSITION LIGHT, SIDE MARKER LIGHT, LICENSE PLATE LIGHT AND LIGHT REMINDER TONE ALARM



Please make the indicated changes below to the 2014 - 2019 Outlander Service Manual, Group 90-Circuit Diagrams, "Glove Box Light and Floor Console Box Light" diagram.

NOTE: The diagram below shows a typical circuit for 2017 model year Outlander.

GLOVE BOX LIGHT AND FLOOR CONSOLE BOX LIGHT

