



Technical Journal

TITLE:

Blown fuse, compressor - air suspension

REF NO: TJ 31423.5.0	ISSUING DEPARTMENT: Technical Service	CAR MARKET: United States and Canada	
PARTNER: 3 US 7510 Volvo Car USA		ISSUE DATE: 2018-03-21	STATUS DATE: 2018-03-26
FUNC GROUP: 7641	FUNC DESC: Level control, complete	Page 1 of 8	

“Right first time in Time”

Attachment

File Name	File Size
72812-2.pdf	0.1911 MB

Vehicle Type

Type	Eng	Eng Desc	Sales	Body	Gear	Steer	Model Year	Plant	Chassis range	Struc Week Range
234							2017-2017		0000001-9999999	201617-999952
235							2017-2018		0000001-9999999	210620-999952
236							2017-2018		0000001-9999999	201646-999952
238							2018-2018		0000001-9999999	201646-999952
246							2018-2018		0000001-9999999	201717-999952
256							2016-2018		0000001-9999999	201505-999952

CSC Customer Symptom Codes

Code	Description
RA	Active chassis function/Does not work

VST Operation Number

VST Operation Number	Description
72812-2	Compressor, air suspension
36060-3	Calibration with VIDA
36002-3	Software control module downloading
36050-2	Calibrating/Identifying with VIDA



DTC Diagnostic Trouble Codes

Rows beginning with * are modified

Note! If using a printed copy of this Technical Journal, first check for the latest online version.

Text

DESCRIPTION:

*Changed Service information

If blown fuse of the compressor for air suspension follow service section below.

SERVICE:

Perform Total Upgrade, replace fuse and compressor according to VIDA.

Work is ongoing to resolve this issue.

VEHICLE REPORT:

Yes, please submit a Vehicle Report if the service solution described in this TJ has no effect. Use concern area "Vehicle Report" and sub concern area "Support not needed", use function group 7641.

To view TJ attachment continue to next page. This TJ has one attachment.



Operation number: 72812-2

Compressor, air suspension

Removal

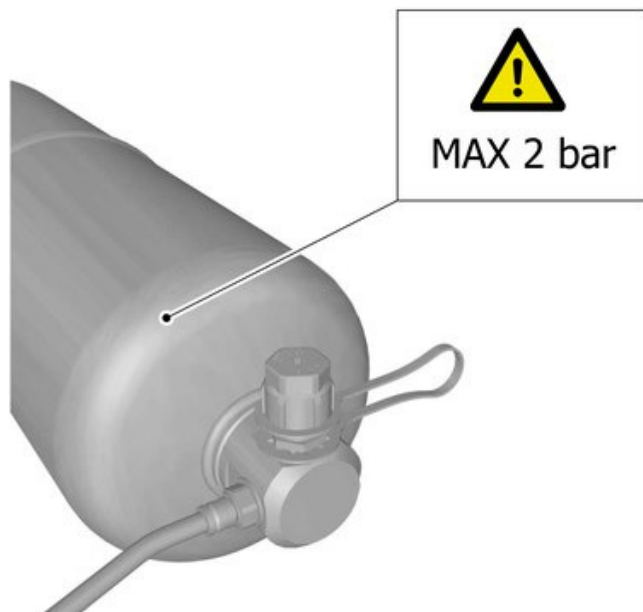
Note!

Removal steps in this procedure may contain installation details.

Deactivate the Air suspension control in Settings, which is found in Center Console Display top view or by way of VIDA: Diagnostics/Components/ECU/SUM/Diagnostic sequences/Enable leveling control

Empty air tank according to: Diagnostics/ Components/ ECU / SUM / Diagnostic Sequences / Deflating and filling air springs and reservoir

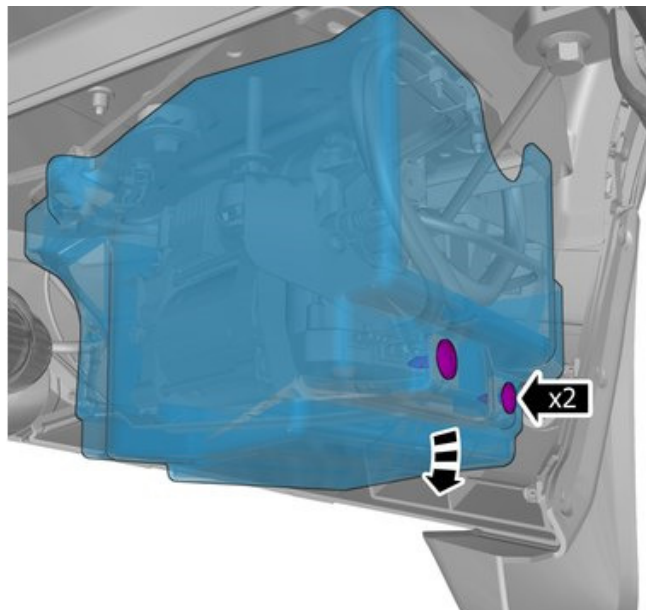
Installation



Note!

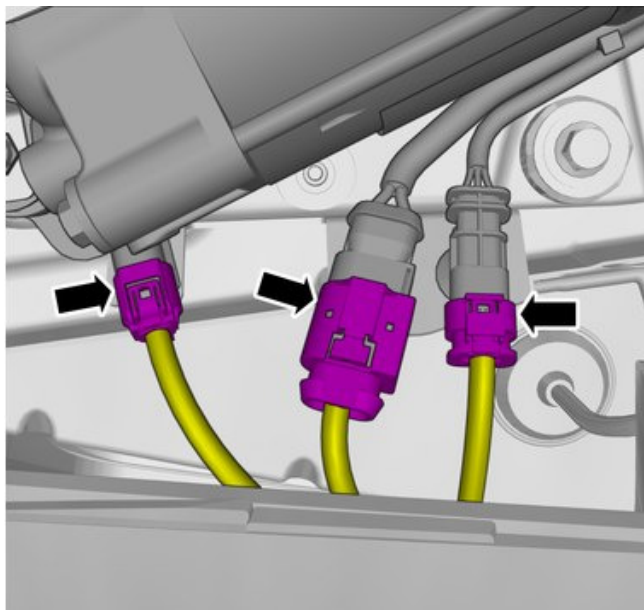
Measurements achieved must correspond to values stated in the graphic.

Follow instructions for lifting points Refer to: [Jacking points body](#).

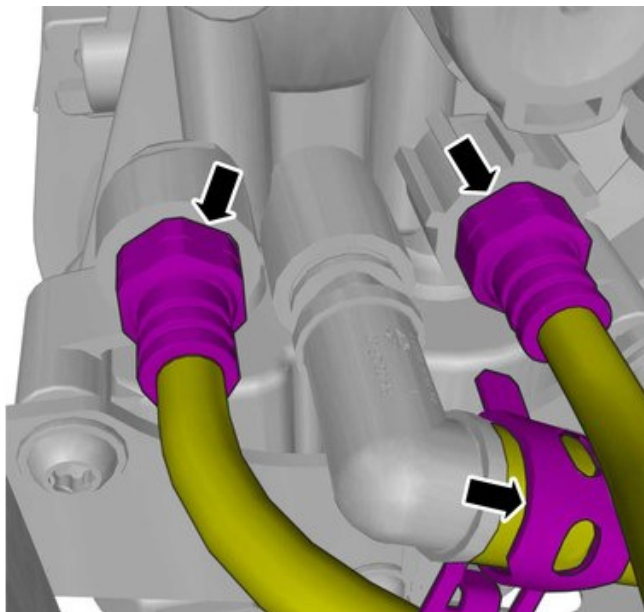


Remove the clips.

Remove the marked part.

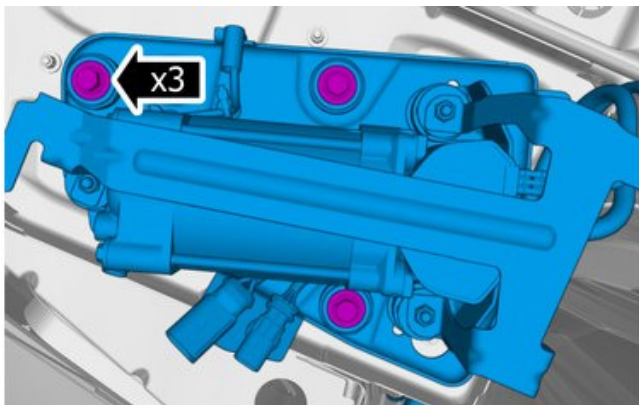


Disconnect the connectors.



Undo the hoses from the connections.

Torque:Air hose connector, to Connector with metal thread, 5 Nm



Remove the screws.

Remove the marked part.

Torque:Compressor, air suspension, to Body frame, 25 Nm

To install, reverse the removal procedure.

Fill air tank according to: Diagnostics/ Components/ ECU / SUM / Diagnostic Sequences / Deflating and filling air springs and reservoir
