



Technical Service Bulletin

SUBJECT:			No: TSB-19-52A-002
A-PILLAR TRIM REPLACEMENT PROCEDURE REVISION - SERVICE MANUAL REVISION			DATE: April 2019
			MODEL: 2011-14 Outlander Sport/RVR
CIRCULATE TO:	<input type="checkbox"/> GENERAL MANAGER	<input checked="" type="checkbox"/> PARTS MANAGER	<input checked="" type="checkbox"/> TECHNICIAN
<input checked="" type="checkbox"/> SERVICE ADVISOR	<input checked="" type="checkbox"/> SERVICE MANAGER	<input checked="" type="checkbox"/> WARRANTY PROCESSOR	<input type="checkbox"/> SALES MANAGER

This Technical Service Bulletin supersedes TSB-14-52A-003, issued July 2014, to include additional information on the front pillar trim installation service points. Changes are italicized and indicated by ◀.

PURPOSE

This TSB updates the Interior and the Supplemental Restraint System (SRS) sections of the affected Service Manuals, to update the retention tether of the a-pillar and to include a new part.

WARNING

- **When reinstalling an 'A' pillar trim for reasons other than replaing it (e.g. headliner removal), always install it with the clip/tether positioned in the same direction as when it was removed.**
- **When Replacing an 'A' pillar trim with a new part (7210A355HA or 7210A356HA), DO NOT reposition the clip/tether to match one that was removed.**

AFFECTED VEHICLES

- 2011 - 2014 Outlander Sport/RVR
Vehicles built on 4/16/2014 are equipped with the new parts

AFFECTED SERVICE MANUAL

- *2011 - 2014 Outlander Sport/RVR Service Manual, Group 52A-Interior*
- *2011 - 2014 Outlander Sport/RVR Service Manual, Group 52B-Supplemental Restraint System (SRS)*



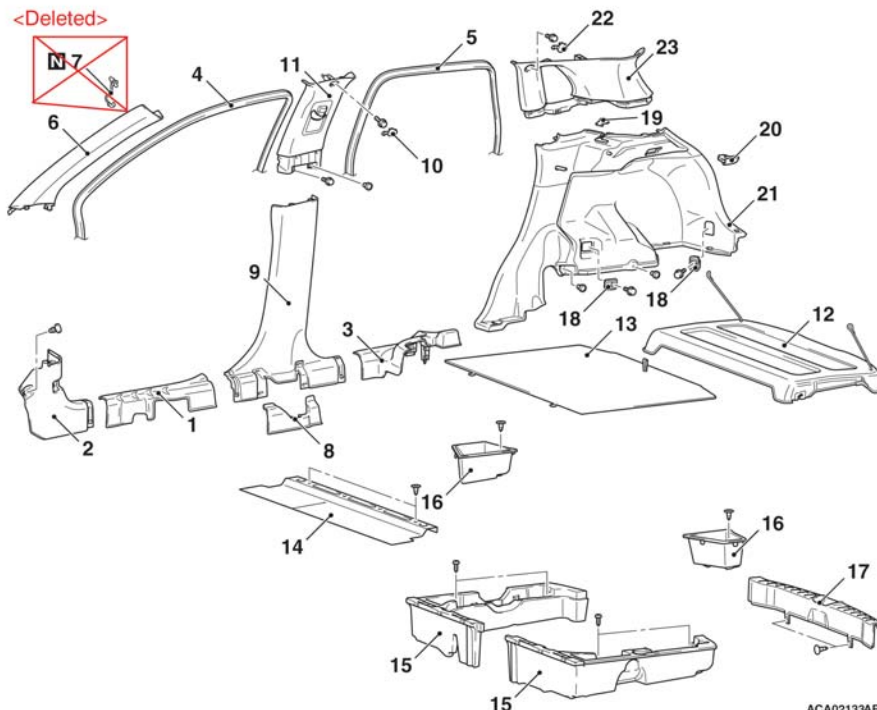
Please make the indicated changes to the 2011 - 2014 Outlander Sport Service Manual Group 52A-Interior -> Trims -> Interior Trim Removal and Installation.

INTERIOR TRIMS

TRIMS

INTERIOR TRIM
 REMOVAL AND INSTALLATION

M1521001102031



ACA02133AB

Cowl side trim removal steps

1. Front scuff plate
2. Cowl side trim

Rear scuff plate removal step

- Rear seat cushion

3. Rear scuff plate

Front pillar trim removal steps

4. Front door opening trim

6. Front pillar trim

- ~~7. Front pillar trim clip~~

Center pillar trim removal steps

1. Front scuff plate
- Rear seat cushion
3. Rear scuff plate

Center pillar trim removal steps

4. Front door opening trim
5. Rear door opening trim
8. Center pillar cover inner
9. Center pillar trim lower
10. Center pillar trim cap
11. Center pillar trim upper

Rear shelf trim removal step

12. Rear shelf trim <Vehicles with rear shelf trim>

Cargo floor box removal steps

13. Cargo floor lid
14. Cargo floor board front
15. Cargo floor box
16. Cargo floor box (LH/RH)

<Added>

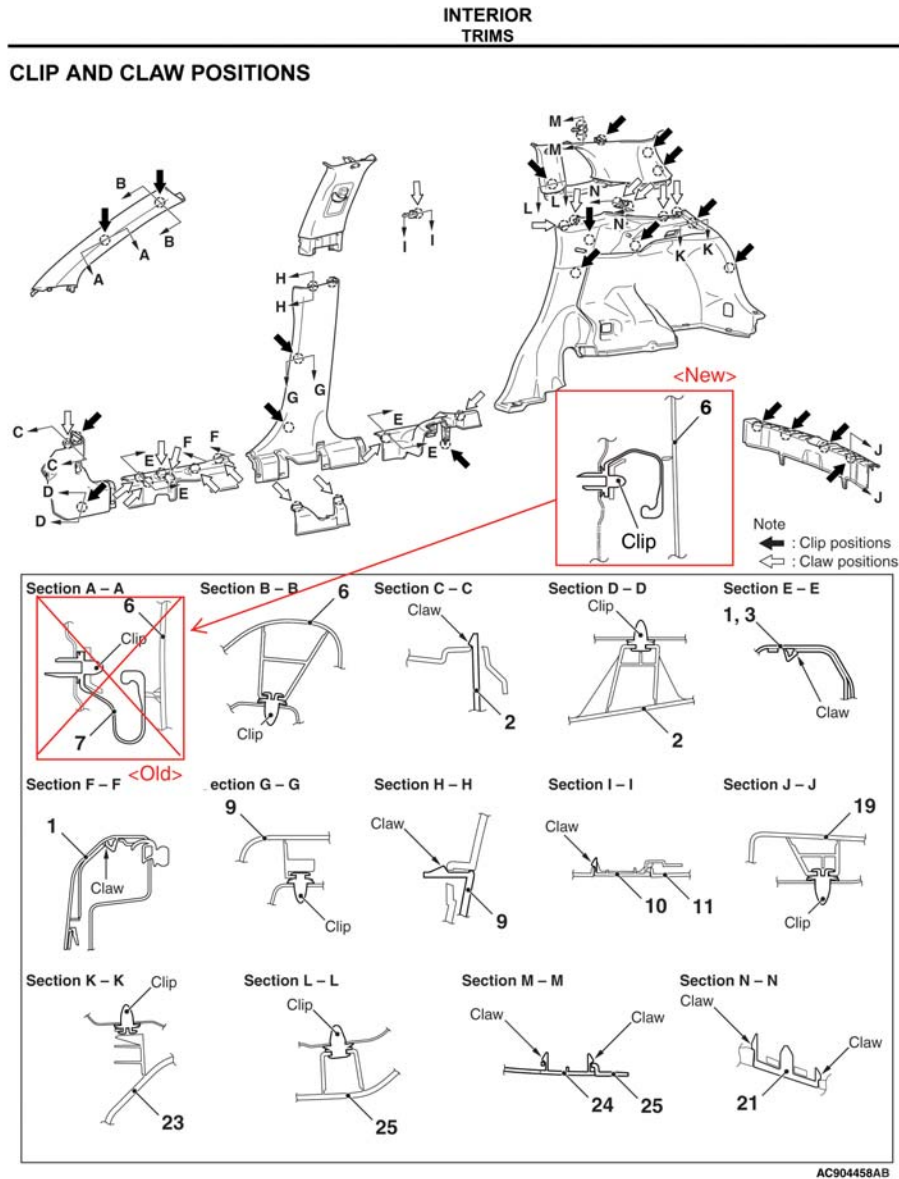
<<A>> >>A<<

<<A>>

<Deleted>

<>

Please make the indicated changes to the 2011 - 2014 Outlander Sport Service Manual Group 52A-Interior -> Trims -> Clip and Claw Positions.

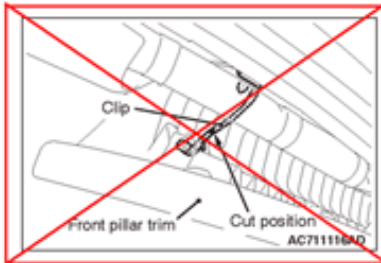


NOTE: Each number in the illustration indicates a part number.

Please make the indicated changes to the 2011 - 2014 Outlander Sport Service Manual Group 52A-Interior -> Trims -> Removal Service Points.

INTERIOR
TRIMS

<Old>



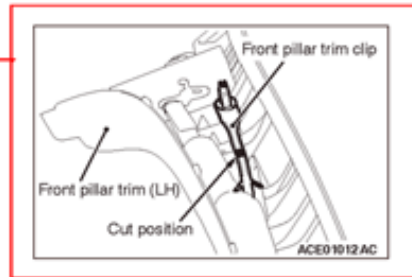
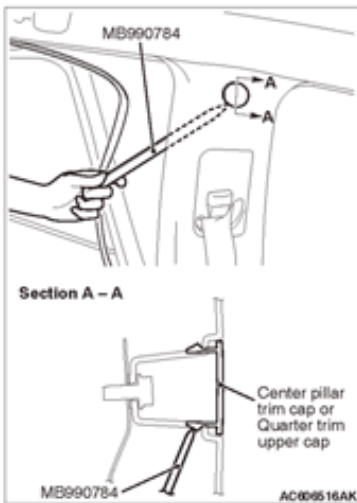
REMOVAL SERVICE POINTS

<<A>>FRONT PILLAR TRIM REMOVAL

1. Pull down the front or rear pillar trim as shown in the figure.
2. Cut the clip at the cutting position shown in the figure, taking care not to damage the other components.
3. Remove the clip remaining on the front or rear pillar trim, taking care not to scratch the trim.
4. Remove the clip remaining on the vehicle side by breaking it to prevent damage to the flange of the clip mounting hole.

<> CENTER PILLAR TRIM CAP/QUARTER TRIM UPPER CAP REMOVAL

Remove the opening trim. Remove the trim cap by inserting the special tool ornament remover (MB990784) between the trim and body as shown in the illustration.

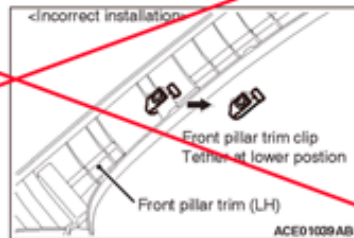


<New>

INSTALLATION SERVICE POINT

>>A<< FRONT PILLAR TRIM INSTALLATION

Make sure that the clip is installed in the correct direction.

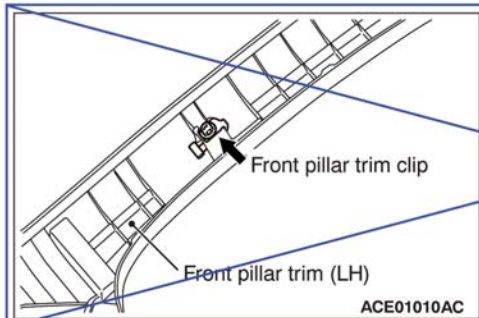


<Deleted>

INSTALLATION SERVICE POINT

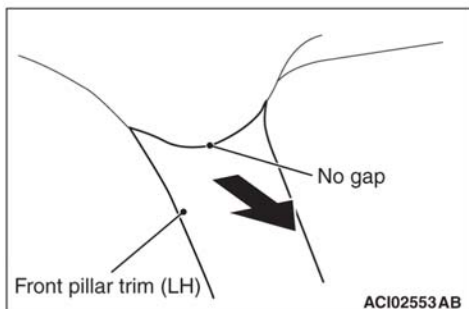
>>A<< FRONT PILLAR TRIM INSTALLAION <Old>

Make sure that the clip is installed in the correct direction.



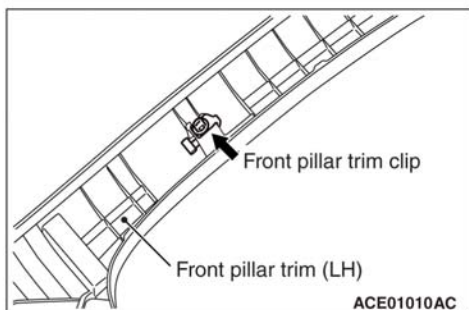
The diagram shows a perspective view of the front pillar trim (LH) being installed on the vehicle body. A front pillar trim clip is shown being inserted into a hole on the trim. Labels include 'Front pillar trim clip' and 'Front pillar trim (LH)'. The reference code 'ACE01010AC' is at the bottom right of the diagram.

<Added>

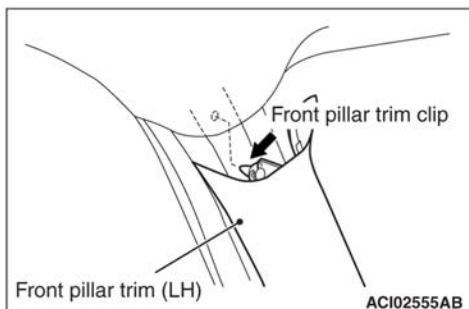


CAUTION

After installing the front pillar trim, make sure that the front pillar trim can not be detached by pulling it in the direction of the arrow shown in the illustration, and check that there is no gap between the upper side of the front pillar trim and the headlining.



1. Install the front pillar trim clip in the direction shown.



2. Make sure to insert the front pillar trim clip on the upper part of the front pillar trim to the hole on the body.

Please make the indicated changes to the 2011 - 2014 Outlander Sport Service Manual Group 52B-Supplemental Restraint System (SRS) -> Curtain Airbag Module(s) -> Removal and Installation.

SUPPLEMENTAL RESTRAINT SYSTEM (SRS)
 CURTAIN AIR BAG MODULE(S)

CURTAIN AIR BAG MODULE(S)

REMOVAL AND INSTALLATION

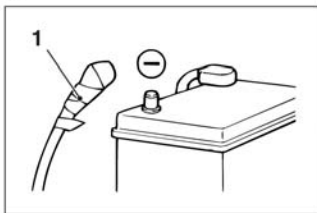
M1524013500716

⚠ WARNING

- Never attempt to disassemble or repair the curtain air bag modules. If faulty, replace it.
- Do not drop the curtain air bag modules or allow contact with water, grease or oil. Replace it if a dent, crack, deformation or rust is detected.
- Do not expose the curtain air bag modules to temperatures over 93 °C (200 °F).
- Wear gloves and safety glasses when handling air bags that have already deployed.
- Certain components of this vehicle, such as air bag modules and seat belt pre-tensioners, may contain perchlorate materials. Before deployment and/or disposal of these components, review and comply with all applicable Federal, state and local regulations.
- An undeployed curtain air bag module should only be disposed of in accordance with the procedures.
- When removing and installing the front passenger seat, be sure to carry out accuracy check occupant classification sensor after the seat has been installed in the vehicle. (On-vehicle Service.)

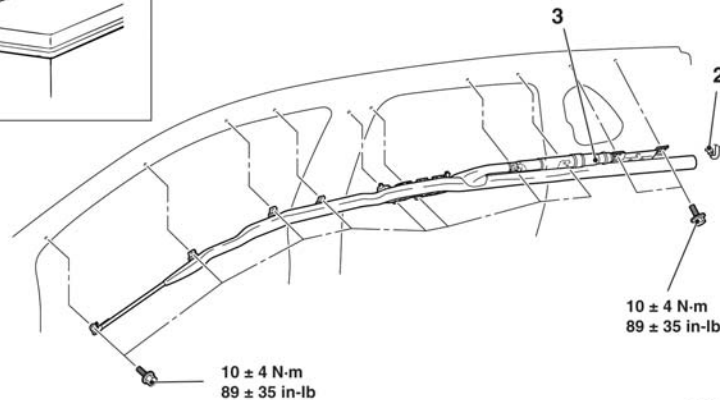
Pre-removal Operation

- Turn the ignition switch to the "LOCK" (OFF) position.



<Added>

- When the front pillar trim is installed after the air bag module has been installed, make sure that the its trim clip faces towards the right direction. (Refer to GROUP 52A - Interior trim)



ACA03439AB

Removal steps

- <<A>> 1. Negative (-) battery cable connection
- Headlining (Refer to GROUP 52A, Headlining).
- <> 2. Curtain air bag module connector connection
- <<C>> 3. Curtain air bag module

Installation steps

- >>A<< • Pre-installation inspection
- >>B<< 3. Curtain air bag module
- >>C<< 2. Curtain air bag module connector connection
- Headlining (Refer to GROUP 52A, Headlining).
1. Negative (-) battery cable connection
- >>D<< • Post-installation inspection