

## Plugs, Pressure Protection Manifold CHU, CXU, GU, TD, PI, AN, GR, LR, MRU

### FSB 563-008, Plugs, Pressure Protection Manifold

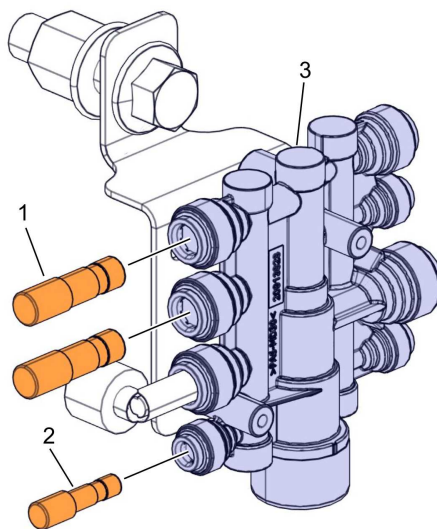
(April 2019)

**Note:** This bulletin does not apply to Mack Trucks Australia.

On certain trucks built from 05/11/2009, Mack Trucks has introduced new brass Pressure Protection Manifold (PPM) plugs part number 23480654, size 6.35 mm (.250 in) and part number 23480658, size 9.525 mm (.375 in) to be used **ONLY on Norgren PPM part Numbers 20913828, 21648277, 22196730 and 22650771**. The existing plugs (part number 25161826), size 6.35 mm (.250 in), and part number 25153853, size 9.525 mm (.375 in), both red in color are no longer used anywhere on the truck. The existing plugs (black in color) part number 8077186, size 6.35 mm (.250 in), and part number 8077187, size 9.525 mm (.375 in) are still used in the locations shown in the table on page 2.

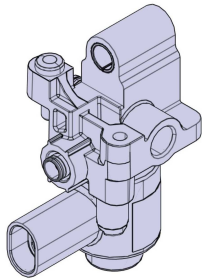
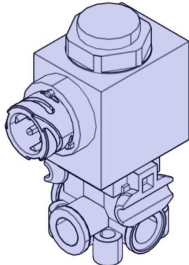
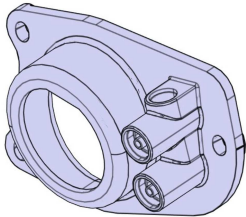
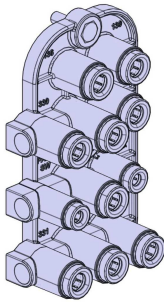
**Note:** The black plugs **CANNOT** be used in the Pressure Protection Manifold (PPM) part numbers 20913828, 21648277, 22196730 and 22650771.

**Note:** Spare Parts has release Technical Parts Information bulletin (TPI 563-014) related to this bulletin.



W5145478

Plug, Pressure Protection Plugs and Manifold		
Item	Part Number	Description
1	23480658	Brass Plug, Manifold, 9.52 mm (.375 in)
2	23480654	Brass Plug, Manifold, 6.35 mm (.250 in)
3	22650771	Pressure Protection Manifold

<b>Plug Part Numbers 8077186 and 8077187 (Black in Color) Where Used Chart</b>				
<b>Product Class</b>	<b>Part Number</b>	<b>Description</b>	<b>Supplier</b>	<b>Image</b>
28, 29	22849162	Solenoid Valve	Bendix	 <p>W5145480</p>
28, 29	1078315	Solenoid Valve	Norgren	 <p>W5145483</p>
28	25111766	Manifold, Air/Electric Mack L-Side	Norgren	 <p>W5145484</p>
28	22646257	Pass Through Manifold	Norgren	 <p>W5145485</p>