

Plugs, Pressure Protection Manifold
 VN, VHD, VAH, VT

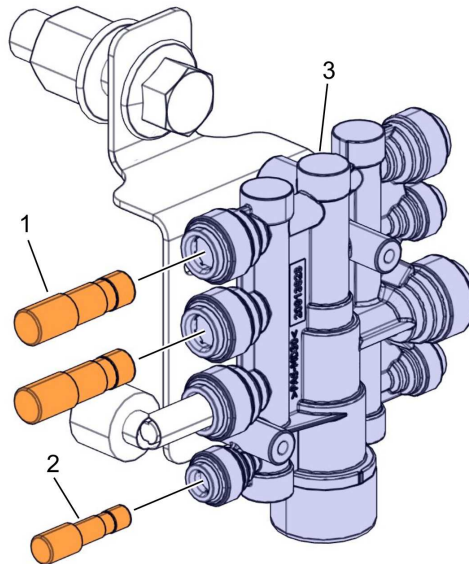
FSB 563-008, Plugs, Pressure Protection Manifold

(April 2019)

On certain trucks built from 05/11/2009, Volvo Trucks has introduced new brass Pressure Protection Manifold (PPM) plugs part number 23480654, size 6.35 mm (.250 in) and part number 23480658, size 9.525 mm (.375 in) to be used **ONLY on Norgren PPM part Numbers 20913828, 21648277, 22196730 and 22650771**. The existing plugs (black in color) part number 8077186, size 6.35 mm (.250 in), and (part number 8077187), size 9.525 mm (.375 in) are still used in the locations shown in the table on page 2.

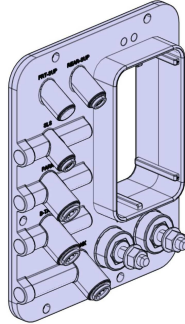
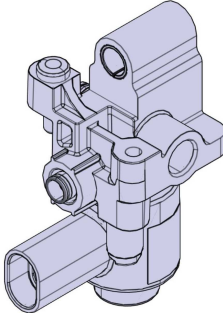
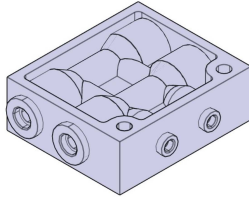
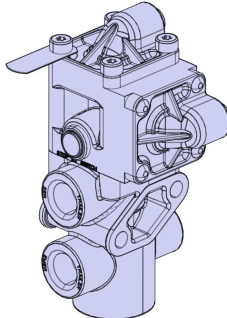
Note: The black plugs **CANNOT** be used in the Pressure Protection Manifold (PPM) part numbers 20913828, 21648277, 22196730 and 22650771.

Note: Spare Parts has release Technical Parts Information bulletin (TPI 563-014) related to this bulletin.



W5145478

Plug, Pressure Protection Plugs and Manifold		
Item	Part Number	Description
1	23480658	Brass Plug, Manifold, 9.52 mm (.375 in)
2	23480654	Brass Plug, Manifold, 6.35 mm (.250 in)
3	22650771	Pressure Protection Manifold

Plug Part Numbers 8077186 and 8077187 (Black in Color) Where Used Chart				
Product Class	Part Number	Description	Supplier	Image
04	20990668	Pass Through, Pneumatic/ Electric	Norgren	 <p>W5145479</p>
04	22849162	Solenoid Valve	Bendix	 <p>W5145480</p>
04	8074710	Manifold, Air	Norgren	 <p>W5145481</p>
04	85145951	Brake Valve	Wabco	 <p>W5145482</p>