

PREVOST


Instruction Sheet

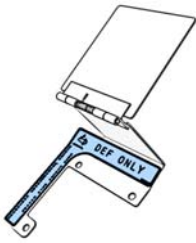
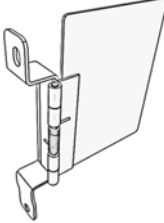
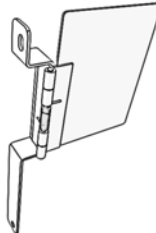
IS-18910

DIESEL FLAP INSTALLATION

This instruction sheet shows how to install a flap over the diesel filling cap.

EFFECTIVITY: ALL H3 AND X3 MODELS WITH DEF TANK

Model	VIN	
H3-45 Model Years : from 2011	From 2PCH33496 <u>BC711721</u>	
X3-45 Model Years : from 2011	From 2PCG33491 <u>BC735002</u>	

MODEL	KIT TO ORDER	FLAP ASSEMBLY
H3 MODELS	IS18910	
X3 MODELS WITH LOCK	IS18910-2	
X3 MODELS WITHOUT LOCK	IS18910-3	

H3 MODELS FLAP INSTALLATION

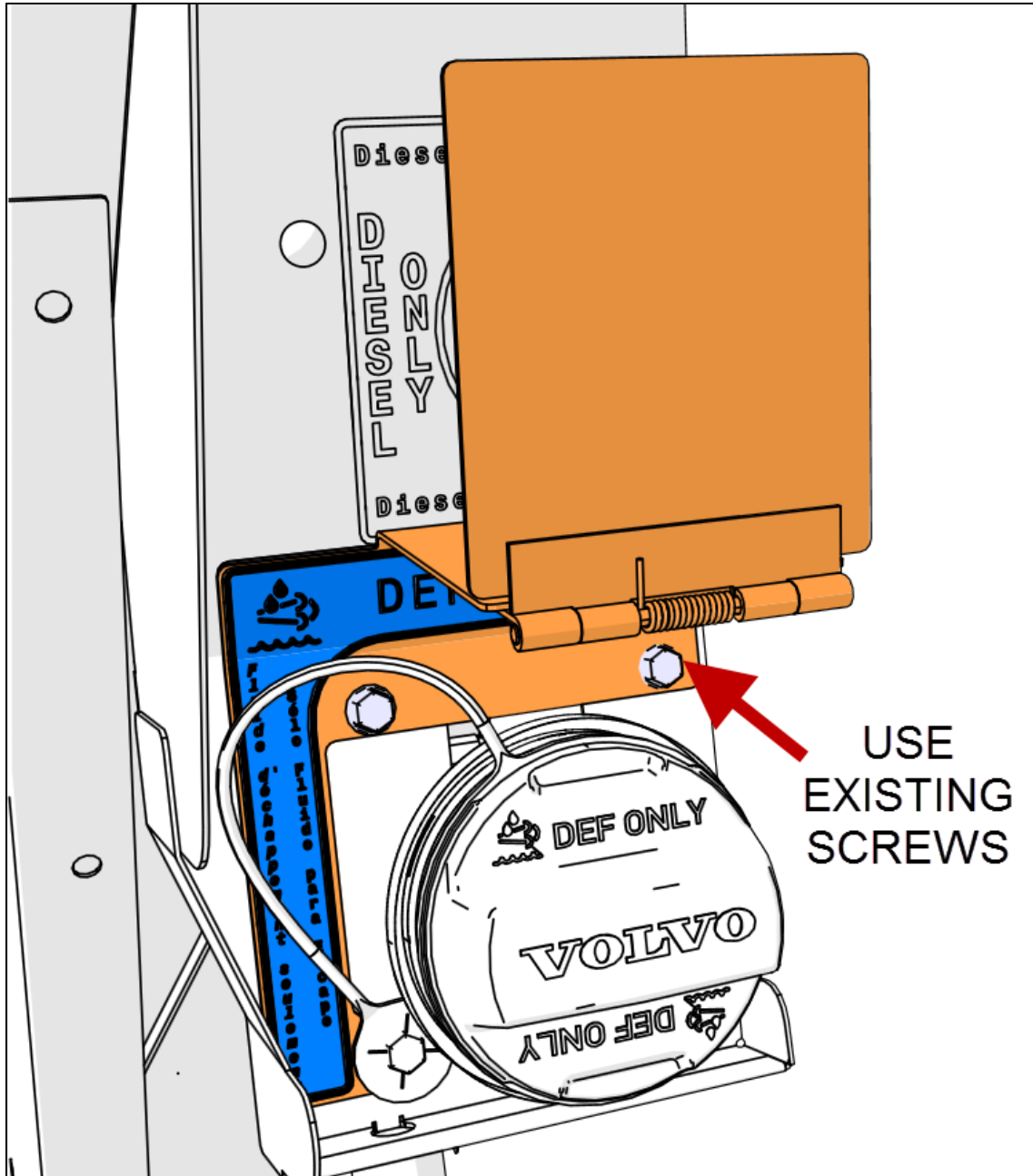


FIGURE 1: H3 MODELS FLAP INSTALLATION

Order kit # IS18910 that contains the following parts:

Part No.	Description	Qty
030109	FLAP ASSEMBLY (H3 MODELS)	1
IS-18910	INSTRUCTION SHEET	1
FI-18910	FEUILLE D'INSTRUCTION	1

X3 MODELS WITH LOCK FLAP INSTALLATION

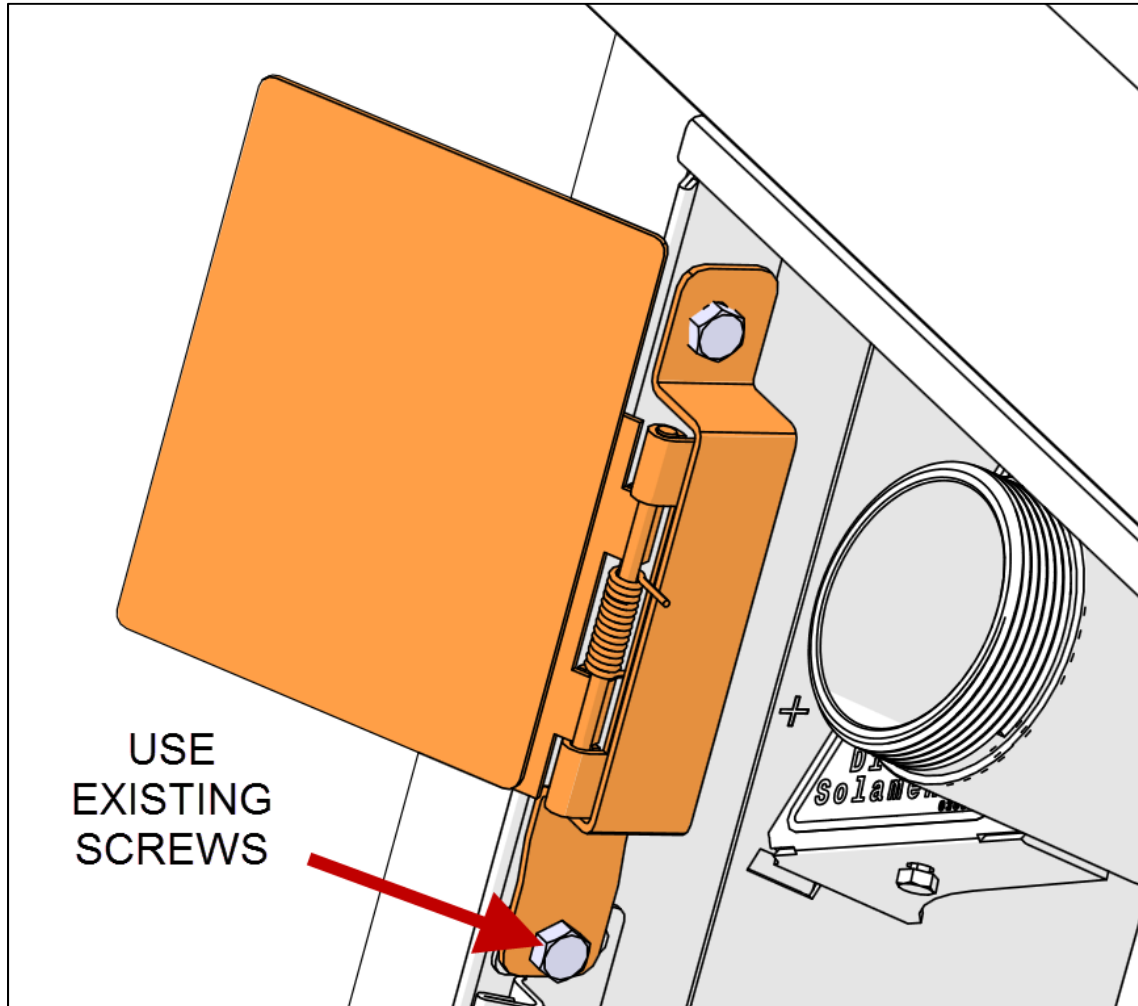


FIGURE 2 : X3 MODELS WITH LOCK MODELS FLAP INSTALLATION

Order kit # IS18910-2 that contains the following parts:

Part No.	Description	Qty
033219	FLAP ASSEMBLY X3 MODELS (WITH LOCK)	1
IS-18910	INSTRUCTION SHEET	1
FI-18910	FEUILLE D'INSTRUCTION	1

X3 MODELS WITHOUT LOCK FLAP INSTALLATION

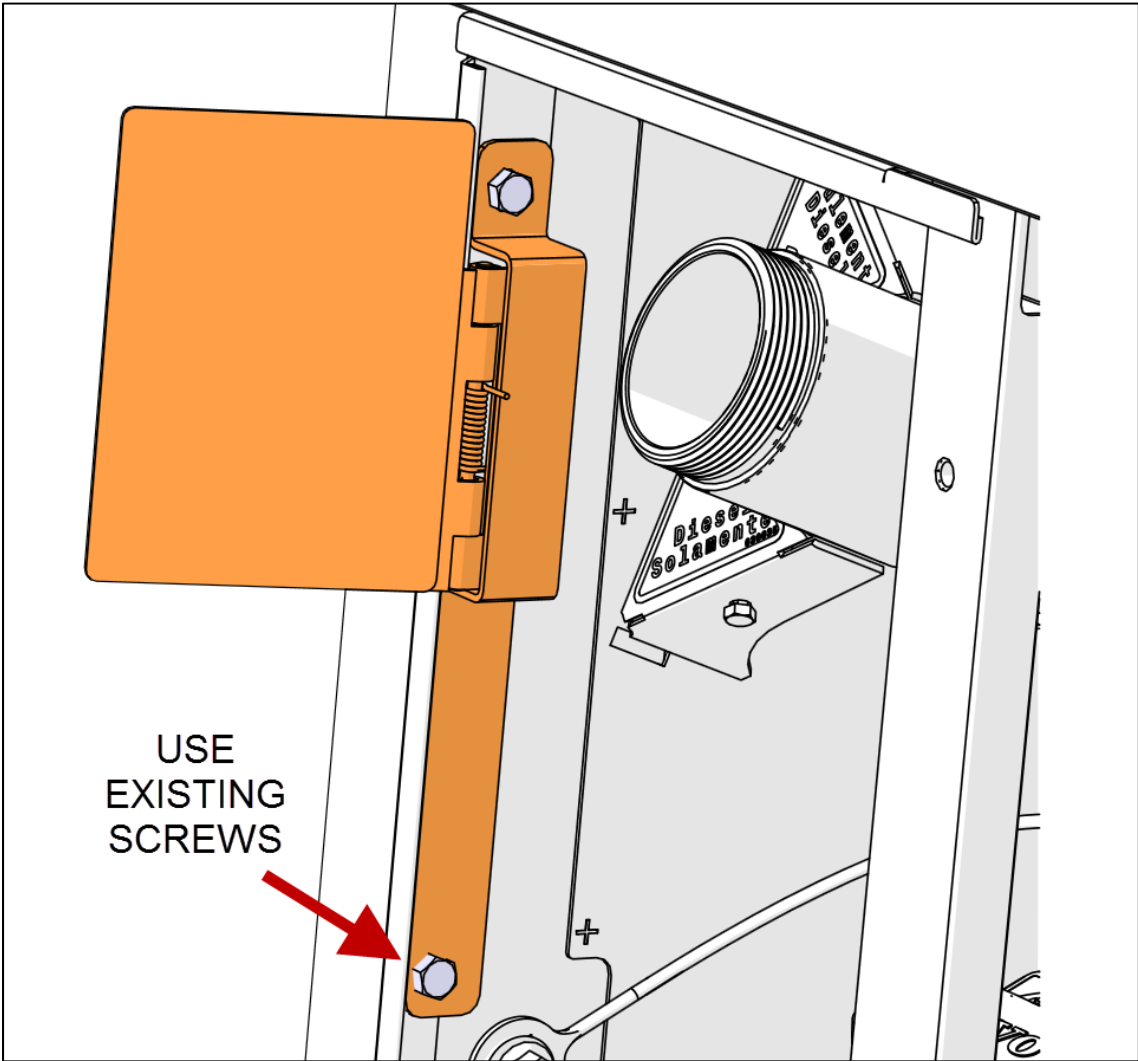


FIGURE 3 : X3 MODELS WITHOUT LOCK FLAP INSTALLATION

Order kit # IS18910-3 that contains the following parts:

Part No.	Description	Qty
033215	FLAP ASSEMBLY X3 MODELS (WITHOUT LOCK)	1
IS-18910	INSTRUCTION SHEET	1
FI-18910	FEUILLE D'INSTRUCTION	1

PARTS / WASTE DISPOSAL

Discard waste according to applicable environmental regulations (Municipal/State[Prov.]/ Federal)