

SportDesign Package (2D2/2D6)

Vehicle Type: **Macan (95B)/Macan S (95B)**

Model Year: **As of 2019**

Concern: **Retrofitting**

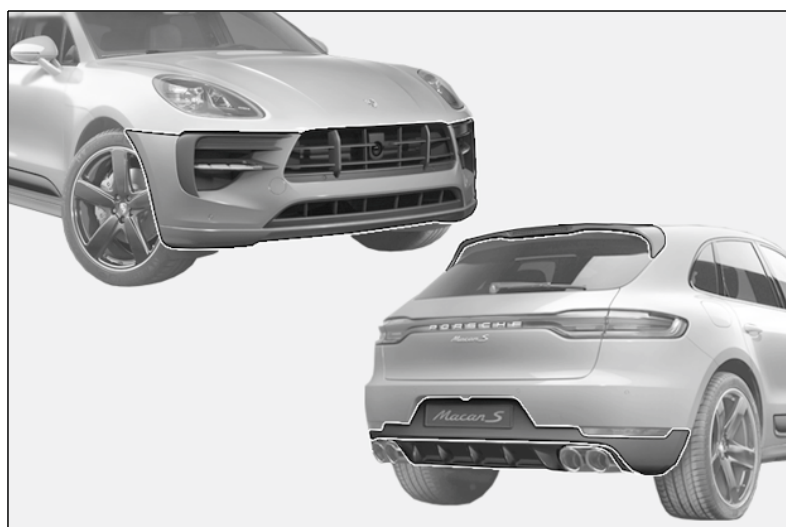


Figure 1

Information: The SportDesign package (⇒*Figure 1*) further emphasizes the sporty nature of the Macan. The SportDesign package comprises the following components:

- New front apron
- New ready-primed door trim panels (**ONLY** for 2D6)
- New ready-primed rear spoiler
- New rear skirt, rear panel and underride guard (rear)

The components have been tested and approved together. Fitting of individual components is not permitted or approved!

The components specified above are also available straight from the factory for new vehicles by requesting optional equipment SportDesign package (2D2)/SportDesign package painted Black (high-gloss – 2D6).

The respective optional equipment is differentiated in terms of the scope of parts and the paint finish (Matt Black or High-Gloss Black) of the individual parts.

For **I-no. 2D2**, we recommend the following paint finish:

- Matt Black (OK1): All grilles (radiators, vents), trims (fog lights, front camera) and parking sensor (inner)
- Exterior color: All large parts (complete front/rear apron, front spoiler and roof spoiler), cover for towing lug and parking sensor (outer)

For **I-no. 2D6**, we recommend the following paint finish:

- High-Gloss Black (O41): All grilles (radiators, vents), trims (fog lights, front camera), parking sensor (inner), rear panel **AND** door trim panels.
- Exterior color: All large parts (front apron/rear skirt, front spoiler and roof spoiler), cover for towing lug and parking sensor (outer)

The ready-primed sill covers (2D1)/sill covers and door trim panels (2D5) can also be retrofitted at the request of the customer.

Available part numbers can be found in the TEQUIPMENT catalogue or the Porsche Electronic Parts Catalog (PET). For installation instructions, working times and painting times, see Workshop Manual.

Parts Info.: **95B.044.815.01** ⇒ SportDesign package – set for USA/Canada

ONLY for retrofitting SportDesign package (high-gloss Black – 2D6), also order the following:

95B.044.802.00 ⇒ Door trim panel, prime-coated – set

ONLY for vehicles with ParkAssist (7X2/7X8/8A4), also order the following:

5Q0.919.275.B.G2X 2 x ⇒ ParkAssist sensor, prime-coated – inner

5Q0.919.275.C.G2X 2 x ⇒ ParkAssist sensor, prime-coated – outer

Also order the following supplementary sets according to market and vehicle equipment:

ONLY for USA/Canada vehicles:

95B.044.815.18 1 x ⇒ Enhanced SportDesign package – set for basic vehicle

95B.044.815.19 1 x ⇒ Enhanced SportDesign package – set for vehicles with ParkAssist (7X2/7X8/8A4)

95B.044.815.20 1 x ⇒ Enhanced SportDesign package – set for vehicles with adaptive cruise control (8T3)

95B.044.815.21 1 x ⇒ Enhanced SportDesign package – set for vehicles with ParkAssist (7X2/7X8/8A4) and adaptive cruise control (8T3)

Also order the following if necessary:

95B.898.056 1 x ⇒ Mounting parts for roof spoiler – set

Parts List:

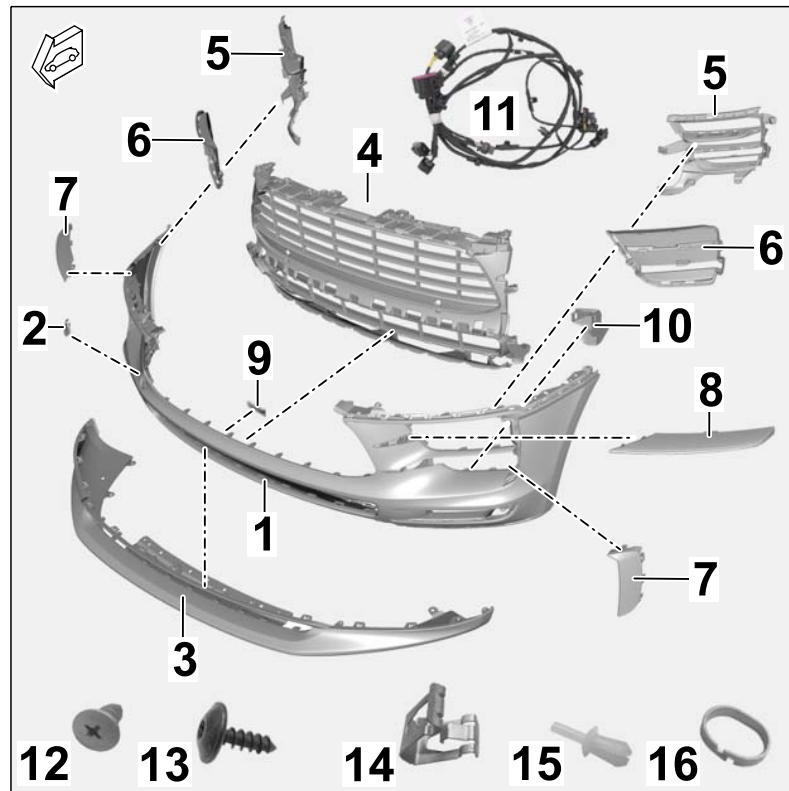


Figure 2

Parts included for front apron (⇒ Figure 2):

95B.807.217.x.G2X ¹	1 x	Front apron, prime-coated ⇒ Figure 2-1-
95B.807.221.x.G2X ¹	1 x	Front apron, prime-coated ⇒ Figure 2-1-
95B.807.156.E.G2X	1 x	Towing lug cover, prime-coated ⇒ Figure 2-2-
95B.807.061.J.G2X	1 x	Front spoiler, prime-coated ⇒ Figure 2-3-
95B.807.683.xx.G2X ¹	1 x	Radiator grille (center), prime-coated ⇒ Figure 2-4-
95B.807.681.J.G2X	1 x	Air grille – side (left), prime-coated ⇒ Figure 2-5-
95B.807.682.J.G2X	1 x	Air grille – side (right), prime-coated ⇒ Figure 2-5-
95B.121.333.B ³	1 x	Air guide – side, closed (left) ⇒ Figure 2-6-
95B.121.334.B ³	1 x	Air guide – side, closed (right) ⇒ Figure 2-6-
95B.807.819.C.G2X	1 x	Trim (left), prime-coated ⇒ Figure 2-7-
95B.807.820.C.G2X	1 x	Trim (right), prime-coated ⇒ Figure 2-7-
95B.807.685.D.G2X	1 x	Vane (left), prime-coated ⇒ Figure 2-8-
95B.807.686.D.G2X	1 x	Vane (right), prime-coated (not shown)
95B.807.838 ⁴	1 x	Air guide (bottom), closed ⇒ Figure 2-9-
95B.807.661	1 x	Z support (left) ⇒ Figure 2-10-
95B.808.661	1 x	Z support (right, not shown)

95B.971.095.xx ¹	1 x	Electric wire harness ⇒ <i>Figure 2-11-</i>
999.919.243.01	22 x	Cap screw, 5.0 x 13 (license plate holder) ⇒ <i>Figure 2-12-</i>
N.909.747.01	12 x	Torx tapping screw, TP5 x 16 ⇒ <i>Figure 2-13-</i>
999.507.836.09	6 x	Clamp, 9.0 x 13.4/4.0 ⇒ <i>Figure 2-14-</i>
N.038.501.3	6 x	Expansion rivet, A6.0 x 12.0 ⇒ <i>Figure 2-15-</i>
WHT.004.935	4 x	Expander nut, TP5 x 15.5 (not shown)
— — —	2 x	Spacer ring ⇒ <i>Figure 2-16-</i>
95B.807.287.xx.E0 ²	1 x	License plate bracket (not shown)

1 Depending on respective set

2 Depending on country version

3 **ONLY** for Macan

4 **ONLY** for Macan S

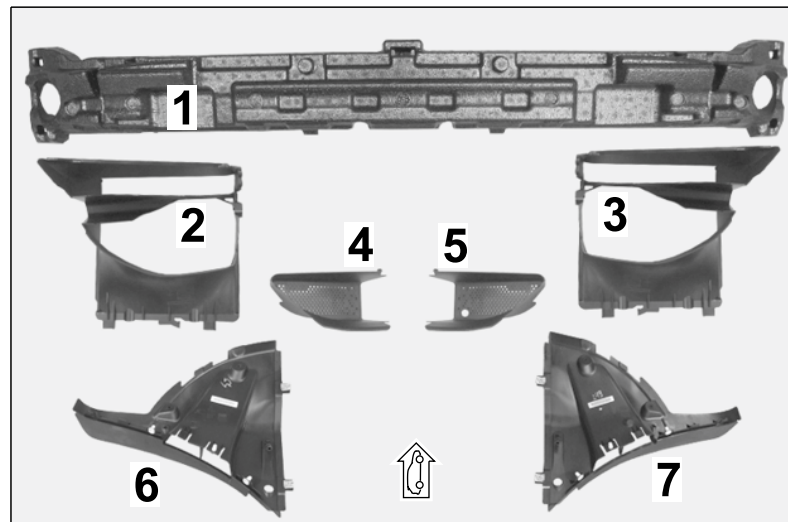


Figure 3

Parts included for front (⇒ *Figure 3*):

95B.807.550.P	1 x	Plastic foam strip (front) – RoW ⇒ <i>Figure 3-1-</i>
95B.807.550.Q	1 x	Plastic foam strip (front) – USA (not shown)
95B.117.335.E	1 x	Air guide on charge-air cooler (left) ⇒ <i>Figure 3-2-</i>
95B.117.336.E	1 x	Air guide on charge-air cooler (right) ⇒ <i>Figure 3-3-</i>
95B.121.699.J	1 x	Air flap (left) ⇒ <i>Figure 3-4-</i>
95B.121.700.J	1 x	Air flap (right) ⇒ <i>Figure 3-5-</i>

- 95B.825.101.E.1E0 1 x Front underbody panelling (left) ⇒ *Figure 3-6-*
- 95B.825.102.E.1E0 1 x Front underbody panelling (right) ⇒ *Figure 3-7-*

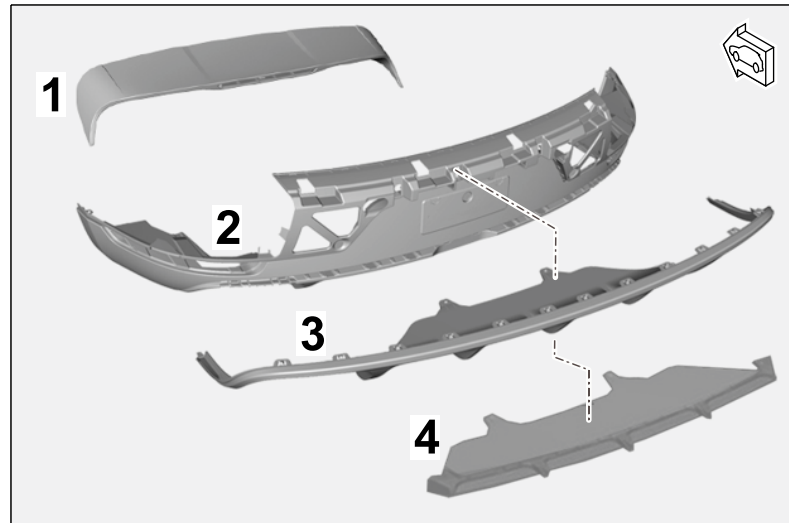


Figure 4

Parts included for rear (⇒ *Figure 4*):

- 95B.827.934.B.G2X 1 x Roof spoiler, prime-coated ⇒ *Figure 4-1-*
- 95B.807.521.AB.G2X¹ 1 x Rear skirt, prime-coated – RoW ⇒ *Figure 4-2-*
- 95B.807.834.G.G2X⁵ 1 x Rear panel, prime-coated ⇒ *Figure 4-3-*
- 95B.807.835⁵ 1 x Underride guard ⇒ *Figure 4-4-*
- N .038.549.4 4 x Expansion rivet, A8 x 12 (not shown)

⁵ **ONLY** for vehicles **WITHOUT** trailer hitch (1D3/1D6)

- Materials:
- — — Micro-fiber cloth (commercially available)
 - — — Betaclean 3350/isopropanol (commercially available)

- Tools:
- 9900 - PIWIS Tester 3**
 - Polyoxymethylene wedge (POM wedge, commercially available)
 - Soft-faced hammer (commercially available)
 - Stanley knife (commercially available)
 - Shop light

Work Procedure: 1 Preparatory work

CAUTION

Painting components

- Risk of warping of components
 - Risk of damage to components
- ⇒ Observe the guidelines and instructions for painting components in the "Paint" Workshop Manual.
- ⇒ Always place parts without tension on the painting devices provided during painting and drying processes.

- 1.1 Paint all prime-coated parts according to the relevant I-no. 2D2 (Matt Black = OK1) or 2D6 (High-Gloss Black = 041) and the vehicle's color code as specified in the Paint Manual.
- 1.2 Drive the vehicle onto the lifting platform (⇒ *Workshop Manual '4X00IN Lifting the vehicle*).
- 1.3 Connect battery charger (⇒ *Workshop Manual '2X00IN Battery trickle charging*).
- 1.4 Remove front apron (⇒ *Workshop Manual '631519 Removing and installing front apron*).
- 1.5 Remove rear apron (⇒ *Workshop Manual '635519 Removing and installing rear apron*).
- 1.6 Remove rear spoiler (⇒ *Workshop Manual '665819 Removing and installing rear spoiler*).

2 Assemble new SportDesign front apron

- 2.1 Cut out transport lock on front apron (⇒ *Figure 5*).

- 1 – Transport lock
- 2 – Front apron
- 3 – Cover on towing lug
- 4 – Radiator grille (center)
- 5 – Parking sensor holder (7X2/7X8/8A4)

Remove burrs from cut edges.

- 2.2 Guide retaining strap for cover on towing lug into the front apron and fit cover in front apron.
- 2.3 Convert reinforcement (mounting for front apron at the top in the fender area at the left/right) (⇒ *Workshop Manual '6315501 Replacing front apron (basic)*).
- 2.3.1 Remove expansion rivet (1 x) and reinforcement (left/right) from standard front apron.
 - 2.3.2 Fit reinforcement (left/right) with expansion rivet (1 x) on new front apron.

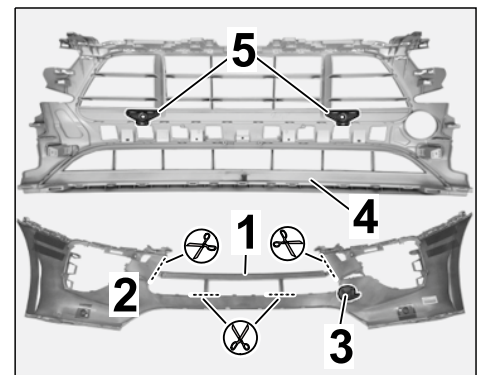


Figure 5



Information

Check fixing clips. They must not be bent or broken.

Make sure that all locking lugs have engaged correctly.

Check that they are fitted correctly.

- 2.4 Fit new painted radiator grille (center) on front apron (⇒ *Workshop Manual '660519 Removing and installing radiator grille*).

Check gap dimension in the visible area all the way around and correct it if necessary.



Information

Check fixing clips. They must not be bent or broken.

Make sure that all locking lugs have engaged correctly.

Check that they are fitted correctly.

- 2.5 Fit new painted front spoiler on front apron (⇒ *Workshop Manual '660319 Removing and installing front spoiler*) and secure with expansion rivets A6.0 x 12.0 (4 x).

Check gap dimension in the visible area all the way around and correct it if necessary.

- 2.6 Work in the (center) radiator grille area

- 2.6.1 Fit Z support (left/right) in the (center) radiator grille (⇒ *Figure 6*).

- 1 – Radiator grille (center)
- 2 – Z support (left)
- 3 – Z support (right)

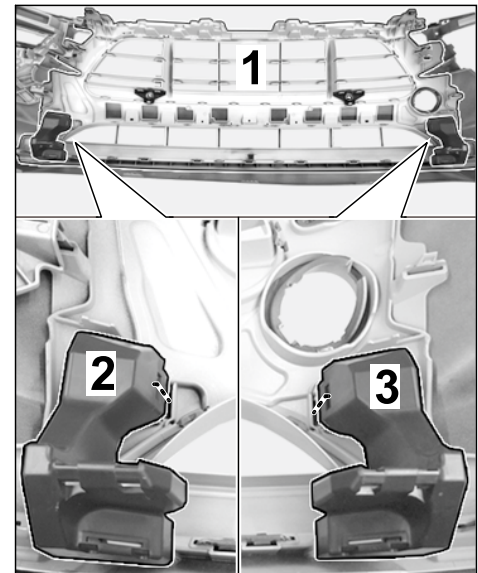


Figure 6

- 2.6.2 Fit spacer ring (2 x) using pliers in tab on (center) radiator grille at the top (⇒ Figure 7).

- 1 – Spacer ring
2 – Clamp, 9.0 x 13.4/4.0

- 2.6.3 Fit clamp 9.0 x 13.4/4.0 (6 x) in the edge of the (center) radiator grille at the top (⇒ Figure 7).

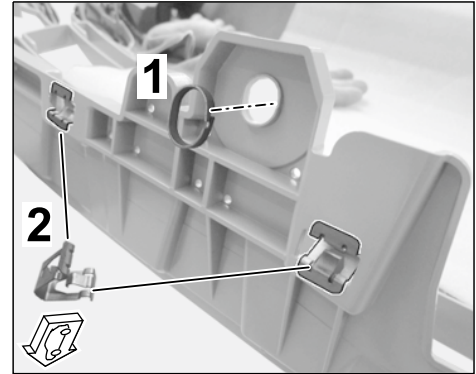


Figure 7



Information

Check fixing clips. They must not be bent or broken.

Make sure that all locking lugs have engaged correctly.

Check that they are fitted correctly.

- 2.6.4 **ONLY** for vehicles with ParkAssist (7X2/7X8/8A4):
Fit parking sensor holder into new painted radiator grille (center).

- 1 – Parking sensor holder (7X2/7X8/8A4)
2 – Radiator grille (center)

Convert parking sensor (4 x) (⇒ *Workshop Manual '917519 Removing and installing ParkAssist sensor*).

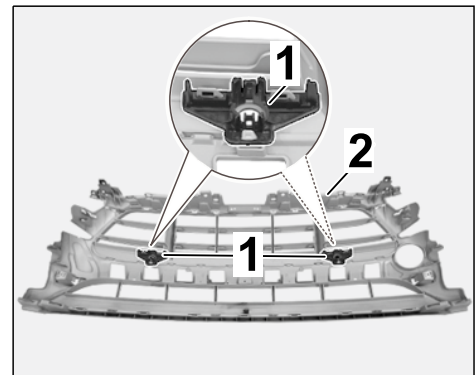


Figure 8

Make sure that the isolating ring on the parking sensor is fitted correctly!

Check gap dimension in the visible area all the way around and correct it if necessary.

2.6.5 **ONLY** for vehicles with front and rear ParkAssist incl. reversing camera and Surround View (8A4): Convert trim with holder and front camera (⇒ *Figure 9*).

- 1 - Cover
- 2 - Bracket
- 3 - Front camera
- 4 - Cap screw, 5.0 x 13

Cap screw, 5.0 x 13: **Tightening torque 2 Nm (1.5 ftlb.)**

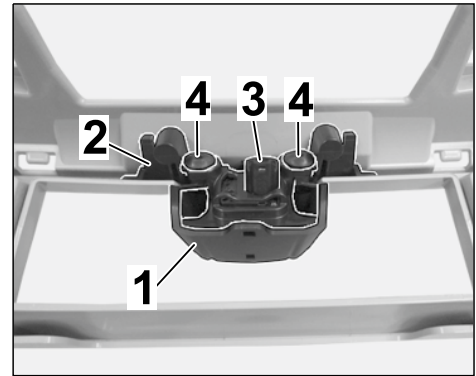


Figure 9

2.7 Work in the air grille area (side, left/right)



Information

Check fixing clips. They must not be bent or broken.

Make sure that all locking lugs have engaged correctly.

Check that they are fitted correctly.

2.7.1 Fit new air grilles (side, left/right) in the front apron (⇒ *Figure 10*; ⇒ *Workshop Manual '66041921 Removing and installing front air grille (Turbo)*).

- 1 - Air grille (side, right)
- 2 - Front apron

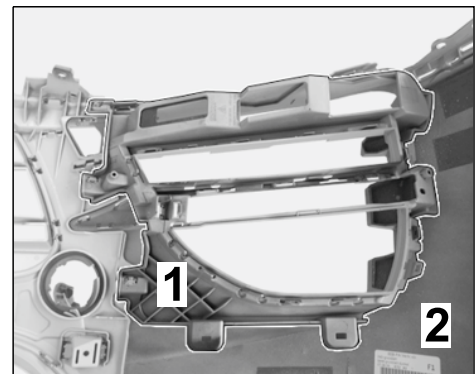


Figure 10

2.7.2 Fit new vane (left/right) into the respective air grille (⇒ *Figure 11*).

- 1 – Vane (left)
- 2 – Direction indicator light/auxiliary headlight (left)

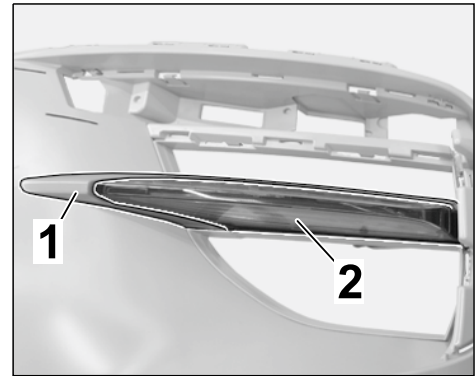


Figure 11

2.7.3 Convert direction indicator light/auxiliary headlights (left/right) (⇒ *Figure 12*; ⇒ *Workshop Manual '947119 Removing and installing auxiliary headlights*).

- 1 – Direction indicator light/auxiliary headlight (left)
- 2 – Torx tapping screw, TP5 x 16

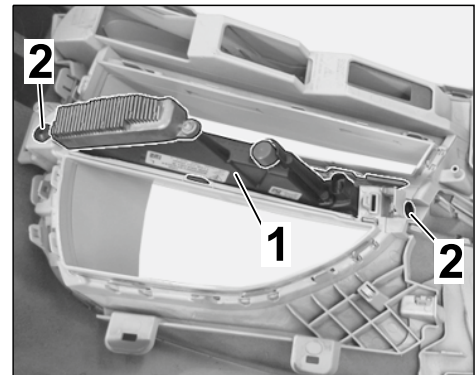


Figure 12

Secure direction indicator light/auxiliary headlights (left/right) using Torx tapping screws (TP5 x 16, 3 x).

Tightening torque 2 Nm (1.5 ftlb.)

2.7.4 **ONLY** for USA variant:
Convert side marker light (⇒ *Workshop Manual '942755 Replacing light bulb for side marker light*).

2.7.5 Fit painted trim (left/right) in the front apron on the relevant side from the outside (⇒ *Figure 13*).

- 1 - Trim (right)
- 2 - Front apron

2.7.6 Check gap dimension in the visible area all the way around and correct it if necessary.

2.8 Fit air guides, depending on the vehicle

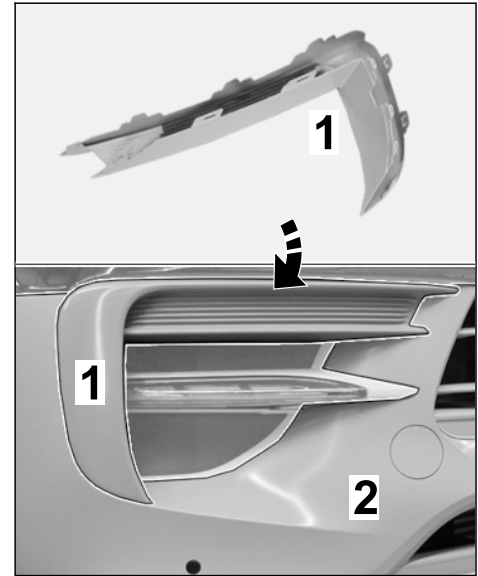


Figure 13

2.8.1 **ONLY** for Macan:
Fit air guide – side, closed (left/right) on the relevant air grille and secure with Torx tapping screws (TP5 x 16, 2 x) (⇒ *Figure 14*).

- 1 - Air guide – side, closed (right)
- 2 - Torx tapping screw, TP5 x 16

Torx tapping screw, TP5 x 16:
Tightening torque 2 Nm
(1.5 ftlb.)

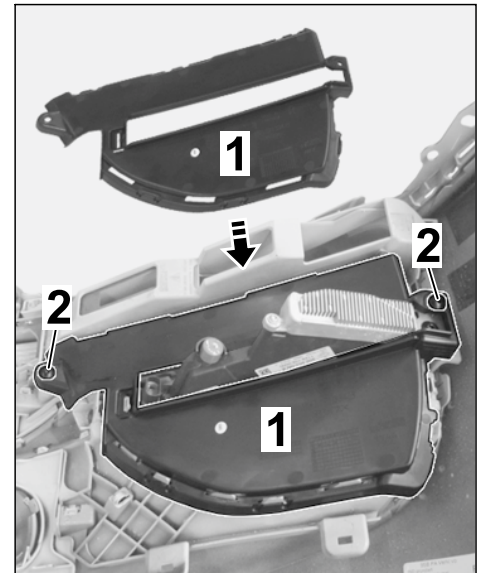


Figure 14

- 2.8.2 **ONLY** for Macan S:
Fit air guide (bottom), closed, in the radiator grille (center) at the bottom and secure with Torx tapping screws (TP5 x 16, 2 x) (⇒ *Figure 15*).

- 1 – Air guide (bottom), closed
- 2 – Torx tapping screw, TP5 x 16
- 3 – Radiator grille (center)

Torx tapping screw, TP5 x 16:
**Tightening torque 2 Nm
(1.5 ftlb.)**

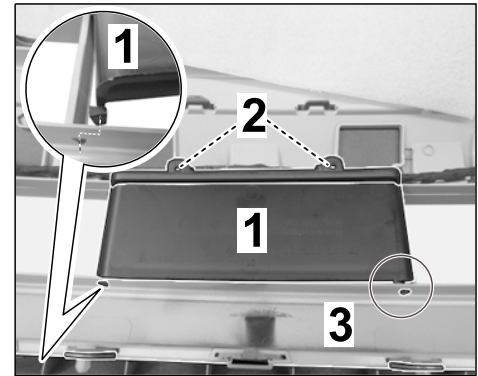


Figure 15

- 2.9 Route new electric wire harness in the front apron and connect it (⇒ *Workshop Manual '971519 Removing and installing front wire harness*).

3 Fit new SportDesign front apron

3.1 Work in the vehicle front area

- 1 – Plastic foam strip (front)
- 2 – Air flap (right)
- 3 – Air guide on charge-air cooler (right)

- 3.1.1 Replace plastic foam strip (front ⇒ *Figure 16 (Turbo) -1-*) with new plastic foam strip (⇒ *Workshop Manual '631019 Removing and installing front bumper*).

- 3.1.2 Replace air flap (left/right ⇒ *Figure 16 (Turbo) -2-*) with new air flap (left/right) (⇒ *Workshop Manual '631019 Removing and installing front bumper*)

- 3.1.3 Replace air guide for charge-air cooler (left/right ⇒ *Figure 16 (Turbo) -3-*) with new air guide (left/right) (⇒ *Workshop Manual '211019 Removing and installing air guide for charge-air cooler*).

- 3.2 Install new SportDesign front apron with new underbody panelling (left/right) (⇒ *Workshop Manual '631519 Removing and installing front apron*).

- 3.3 Fit new license plate bracket on new SportDesign front apron (⇒ *Workshop Manual '668319 Removing and installing number plate cover*; ⇒ *Workshop Manual '668319 Removing and installing number plate cover (USA)*).

4 Convert rear apron

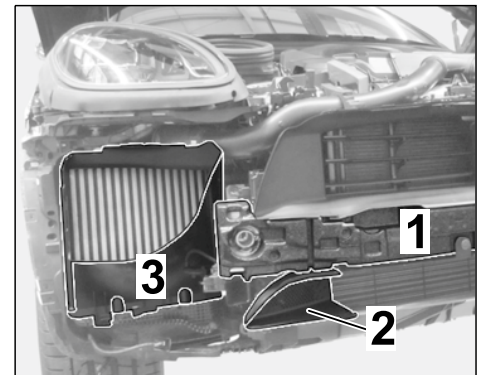


Figure 16 (Turbo)

4.1 Remove rear skirt (⇒ *Workshop Manual '636819 Removing and installing rear skirt*).



Information

Check fixing clips. They must not be bent or broken.

Make sure that all locking lugs have engaged correctly.

Check that they are fitted correctly.

4.2 Install new painted rear skirt in rear apron (⇒ *Figure 17*; ⇒ *Workshop Manual '636819 Removing and installing rear skirt*)

- 1 – Painted rear skirt
- 2 – Rear apron
- 3 – Installation position of reversing light
- 4 – Painted rear panel

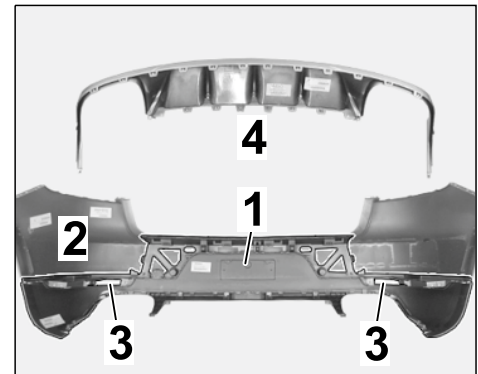


Figure 17

Check gap dimension in the visible area all the way around and correct it if necessary.

4.3 **ONLY** for vehicles with reversing camera (7XB/8A4):

Install reversing camera (⇒ *Workshop Manual '914319 Removing and installing reversing camera*).

4.4 Install reversing light (left/right) (⇒ *Workshop Manual '947419 Removing and installing reversing light*).

Check gap dimension in the visible area all the way around and correct it if necessary.

4.5 Install new painted rear panel (⇒ *Figure 17 -4-*) (⇒ *Workshop Manual '635619 Removing and installing rear panel*)

Check gap dimension in the visible area all the way around and correct it if necessary.

4.6 Install rear apron with new underride guide (⇒ *Figure 18*; ⇒ *Workshop Manual '635519 Removing and installing rear apron*).

- 1 – Underride guard
- 2 – Painted rear panel
- 3 – Painted rear skirt
- 4 – License plate carrier

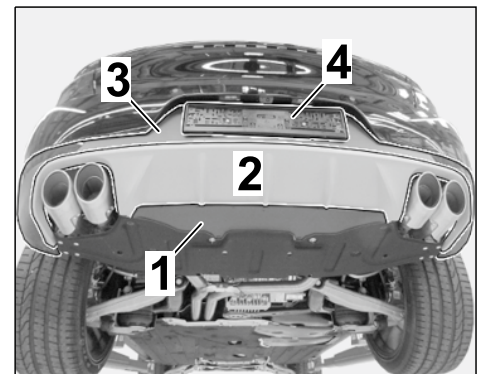


Figure 18

4.7 Convert license plate bracket.

5 Convert rear spoiler.

5.1 Remove rear spoiler (⇒ *Workshop Manual '665819 Removing and installing rear spoiler*).

5.2 Install new rear spoiler painted in exterior color.

6 **ONLY** for retrofitting SportDesign package (high-gloss Black - 2D6):
Convert door trim panels

6.1 Remove cover on front door and install new painted cover (⇒ *Workshop Manual '662219 Removing and installing cover for front door*).

6.2 Remove cover on rear door and install new painted cover (⇒ *Workshop Manual '664219 Removing and installing cover for rear door*).

Coding: 7 Enter SportDesign package (2D2 or 2D6) in the vehicle data

7.1 Preparatory work – Coding

NOTICE

Voltage drop

- Risk of irreparable damage to control unit
 - Risk of damage to control unit
 - Fault entries in the control unit
 - Coding in the control unit is aborted
 - Malfunctions in control unit, even during programming
- ⇒ Switch off the ignition and remove the ignition key before disconnecting the control unit.
- ⇒ Ensure that the power supply is not interrupted during programming.
- ⇒ Connect a battery charger with a current rating of at least Nominal value 90 A to the vehicle battery.

NOTICE

Control unit programming will be aborted if the Internet connection is unstable.

- An unstable Internet connection can interrupt communication between PIWIS Tester III and the vehicle communication module (VCI). As a result, control unit programming may be aborted.
- ⇒ During control unit programming, always connect PIWIS Tester III to the vehicle communication module (VCI) via the USB cable.

7.1.1 **9900 - PIWIS Tester 3** must be connected to the vehicle and then switched on.

7.1.2 Switch on ignition **AND** hazard warning lights on the vehicle.



Information

The **9900 - PIWIS Tester III** instructions take precedence since the description may be different with later Tester releases.

The procedure described here has been structured in general terms; different text or additions may appear on the **9900 - PIWIS Tester III**.

- 7.1.3 Select the "Diagnostics" menu item on the PIWIS Tester.
- 7.1.4 If **9900 - PIWIS Tester 3** is connected correctly, a connection to the vehicle will be established: "Macan model line" is detected.
- 7.2 Enter the new vehicle equipment in the vehicle data
 - 7.2.1 Press •F7" in the control unit overview to switch to the "Additional menu".
Press •F12" to confirm the question "Create Vehicle Analysis Log (VAL)?".
 - 7.2.2 Select the "Management of vehicle order" function. Continue pressing •F12" until "PR numbers" is displayed in the Value group column.
 - 7.2.3 Look for the option "2D2 – SPORT DESIGN PACKAGE WITHOUT SILL COVERS" or "2D6 – SPORT DES. PACKAGE W/O DOOR SILLS, BLACK" in the "Family" column.
Select the relevant option from the drop-down menu in the "Value" column.
 - 7.2.4 Press •F12" to continue. A table containing coding values (old and new value) is displayed in the overview.
 - 7.2.5 Press •F8" to continue. Data is then written/stored.
 - 7.2.6 Wait until the message "Creation of vehicle data has been completed." appears.
Press •F12" to go to Report management.
 - 7.2.7 Press •F10" to open the log. Check that the selected vehicle equipment has been entered and close the log.
- 7.3 Code/program the new vehicle equipment.
 - 7.3.1 Select **ALL** control units (•CTRL+A") in the control unit overview and switch to the "Coding/programming" column.
 - 7.3.2 Select the coding mode "Automatic coding". Press •F12" to continue.
 - 7.3.3 Once "Automatic coding" is complete, the message "Coding was completed successfully. Press •F12" to continue." appears in the header.
Switch to the control unit overview.
- 7.4 Read out the fault memory of all systems, work through any existing faults and erase the fault memory (⇒ *Workshop Manual '0X03IN Diagnostic maintenance: Diagnostic system and maintenance inter...*).
- 7.5 Switch off ignition and disconnect **9900 - PIWIS Tester 3**.
- 7.6 Disconnect battery charger. (⇒ *Workshop Manual '2X00IN Battery trickle charging*).

51 01 71 05:	–Preparing body paintwork– Includes: Order-based Painting of new parts, Step 1 Plastic component	Labor time: 130 TU
66 99 61 51:	–Painting new parts in SportDesign package (1 x), complete Includes: Painting new parts, Step 1: Front apron, towing lug cover, front spoiler, radiator grille (center), air grille (left/right), vane (left/right), trim on direction indicator/auxiliary headlights (left/right), trim panel (left/right) and front camera trim; roof spoiler, rear skirt and rear panel. Materials: 38 MU	Labor time: 510 TU
66 99 23 10:	–Installing SportDesign package (1 x)– Includes: Removing and installing front and rear apron. Assembling new front apron and converting rear apron. Removing rear spoiler and installing new rear spoiler.	Labor time: 630 TU
03 35 00 50:	–On-board diagnosis– Includes: Coding SportDesign package (I-no. 2D2 or I-no. 2D6) in the vehicle data using the PIWIS Tester.	Labor time: 12 TU
Additional working times:	ONLY for retrofitting SportDesign package (high-gloss Black – 2D6):	
	66 22 61 51: Painting new front door trim panel	Labor time: 20 TU
	66 42 61 51: Painting new rear door trim panel	Labor time: 20 TU
	66 22 56 00: Replacing front door trim panel (left/right)	Labor time: 75 TU
	66 42 56 50: Replacing rear door trim panel (left/right)	Labor time: 58 TU
	ONLY for vehicles with Lane Change Assist/Lane Keep Assist (7Y2/7Y3/7Y7):	
	97 70 25 53: Programming Lane Change Assist control unit. Includes: Calibrating calibration plate on the vehicle.	Labor time: 47 TU
	ONLY for vehicles with Surround View (8A4):	
	91 72 25 50: Programming Surround View camera control unit	Labor time: 62 TU

Important Notice: Technical Bulletins issued by Porsche Cars North America, Inc. are intended only for use by professional automotive technicians who have attended Porsche service training courses. They are written to inform those technicians of conditions that may occur on some Porsche vehicles, or to provide information that could assist in the proper servicing of a vehicle. Porsche special tools may be necessary in order to perform certain operations identified in these bulletins. Use of tools and procedures other than those Porsche recommends in these bulletins may be detrimental to the safe operation of your vehicle, and may endanger the people working on it. Properly trained Porsche technicians have the equipment, tools, safety instructions, and know-how to do the job properly and safely. Part numbers listed in these bulletins are for reference only. The work procedures updated electronically in the Porsche PIWIS diagnostic and testing device take precedence and, in the event of a discrepancy, the work procedures in the PIWIS Tester are the ones that must be followed.

© 2019 Porsche Cars North America, Inc.