

PREVOST

Instruction Sheet

IS-18091

Tie Rod 610052 installation instructions

Prevost vehicles with S84 / S84U I-beam axles 1994- today

Replaces 611024; 611025; 611292; 611026.

First Release

05-28-2019

MATERIAL

Kit #IS18091 includes the following parts:

Part No.	Description	Qty
610052	TIE ROD ASSY	1
610051	NUT HEX SELF LOCKING M24-1.5	2
IS-18091	INSTRUCTION SHEET	1
FI-18091	FEUILLE D'INSTRUCTION	1

NOTE

Material can be obtained through regular channels.

PROCEDURE



DANGER

Park vehicle safely, apply parking brake, stop engine. Prior to working on the vehicle, set the ignition switch to the OFF position and trip the main circuit breakers equipped with a trip button. On Commuter type vehicles, set the battery master switch (master cut-out) to the OFF position.

Lock out & Tag out (LOTO) must be performed during set-up, maintenance or repair activities. Refer to your local procedure for detailed information regarding the control of hazardous energy.

Draft June 06 2019

1. Lift vehicle with mobile column lift.

2. Disassemble former tie rod by removing the cotter pin and castle nut (4). Disengage the ball joint pin from the levers. If your axle alignment was good, keep the tie rod for reference.

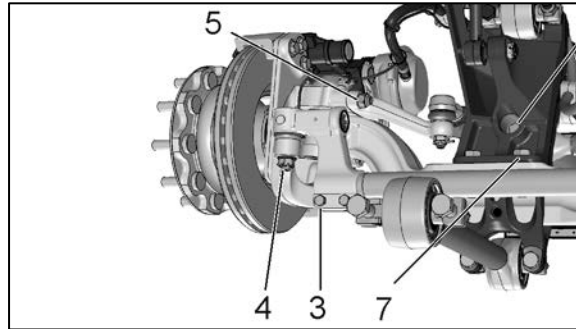


FIGURE 1:

3. Clean all mating surfaces thoroughly, removing grease and corrosion.
4. Finish cleaning with brake cleaner fluid.

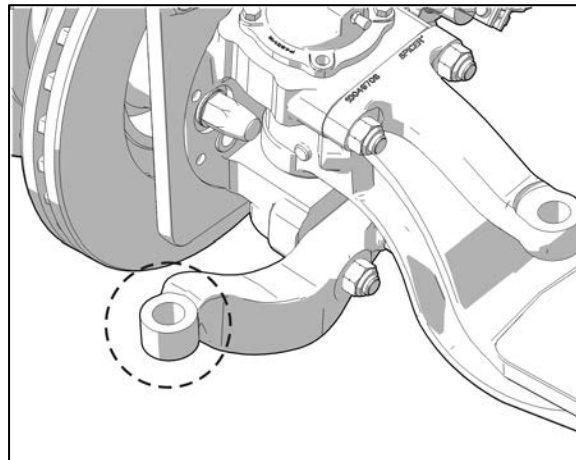


FIGURE 2

5. Adjust the length of the new tie rod to fit the former tie-rod length by screwing / unscrewing ball joints by one turn increments.

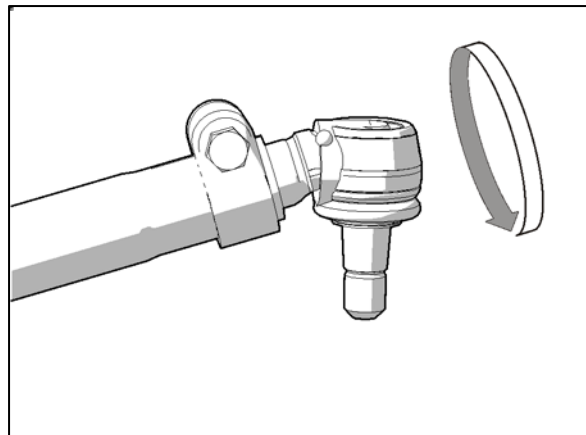


FIGURE 3: ADJUST BY ONE TURN INCREMENTS

Draft June 06 2019

6. Once close to the length of the former tie rod, perform fine adjustment using the adjuster sleeve to reach the same length. (See Figure 4)

NOTE: This sleeve is also used to fine adjust toe-in to the values applicable to your specific axle.

Refer to Maintenance Information [MI18-45](#) and your vehicle's [maintenance manual](#) in *Section 14-Steering* under "Front Wheel Toe-in".

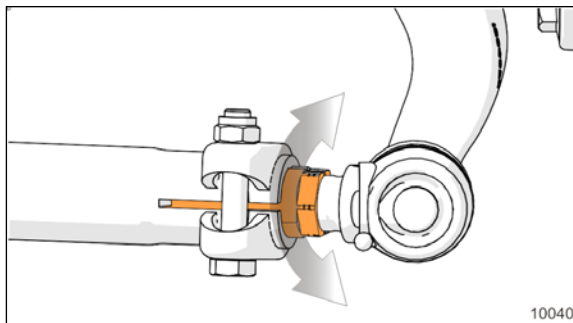


FIGURE 4

7. Install new tie rod. Orient tube bend so it is pointing down *and* parallel to the axle beam.

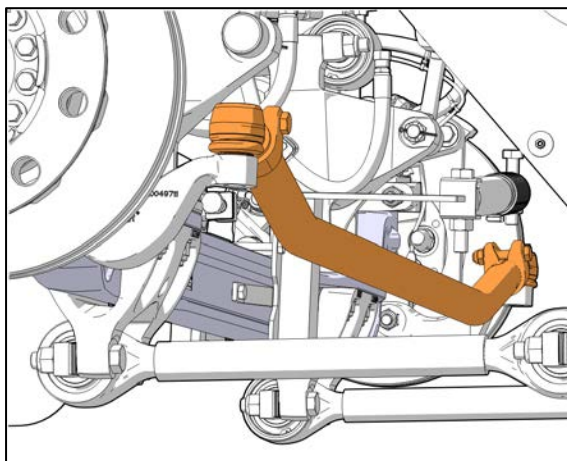


FIGURE 5: TIE ROD ORIENTATION

8. Tighten ball joint self-locking nut (item 1) to **155-170 lb-ft (210-230 Nm)**

These nuts are *single use* and should be *replaced every time they are unscrewed*.

9. Tighten clamp bolts (item 2) to **107-129 lb-ft (145-175 Nm)**

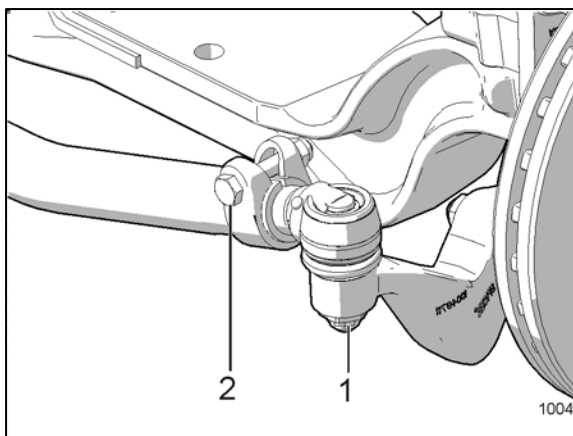


FIGURE 6

Maintenance information

For further information refer to maintenance information [MI18-45](#), available on the PrevoSt technical publications web site.

PARTS / WASTE DISPOSAL

Discard waste according to applicable environmental regulations (Municipal/State[Prov.]/ Federal)