



Service Bulletin

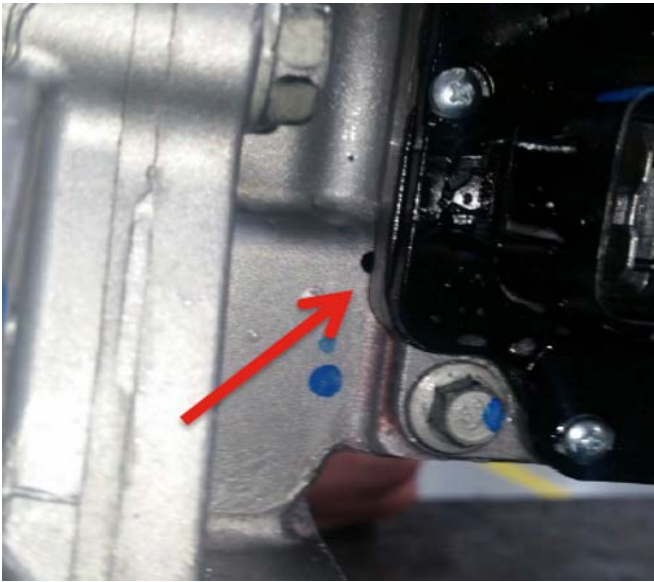
Bulletin No.: 19-NA-172

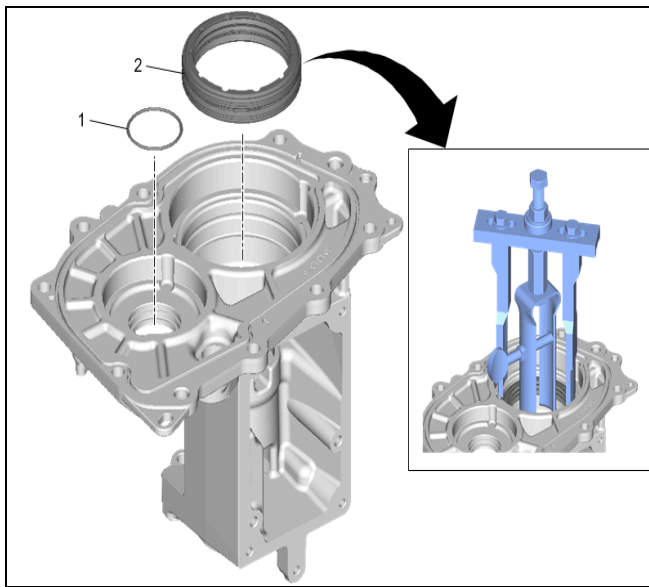
Date: August, 2019

INFORMATION

Subject: Information on Oil Leak from Front of Vehicle

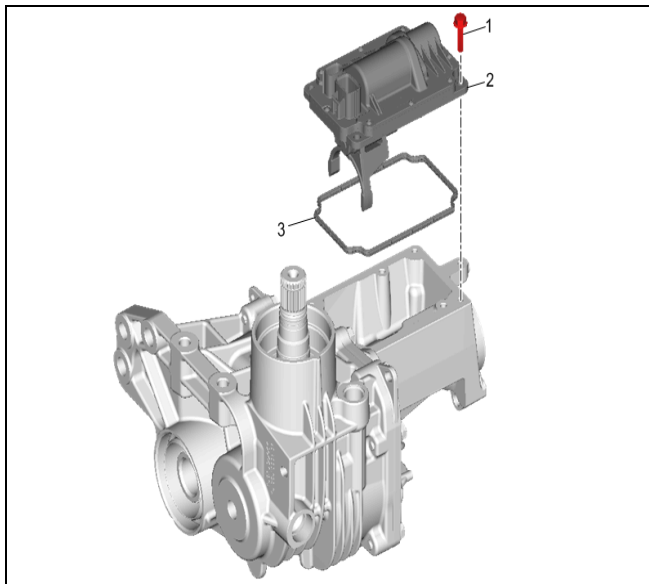
Brand:	Model:	Model Year:		VIN:		Engine:	Transmission:
		from	to	from	to		
Chevrolet	Equinox	2018	2020				
GMC	Terrain						
Holden	Equinox						

Involved Region or Country	North America, Middle East, Israel, South America, South Korea, China, Thailand, Australia, Egypt and Africa.
Additional Options (RPOs)	F48
Condition	Some customers may comment that an oil leak is coming from the front of the vehicle.
Cause	This condition may be caused by fluid leaking from or around the right side weep hole of the Power Transfer Unit (PTU).
Information	<p>In an effort to make the correct leak repair the first time on the PTU, it is critical to determine exactly where the leak is coming from. Different leak points will require different repairs.</p>  <p style="text-align: right;">5381508</p> <p>When fluid is found to be leaking out of or near the right side weep hole on the PTU, validate if the leak is from the weep hole or the actuator sealing surface.</p>



4563672

- If any fluid is coming out of the weep hole, it will require the replacement of the PTU Input Shaft Seal (2).



4563662

- If transmission fluid is leaking from the PTU Shift Actuator to PTU interface, the PTU Shift Actuator Seal (3) should be replaced.

Note: Refer to the Electronic Part Catalog and SI for the correct parts and replacement procedures.

Version	1
Modified	Released July 31, 2019

