

JTBO0591NAS3

TECHNICAL BULLETIN

14 AUG 2019



© Jaguar Land Rover North America, LLC

NOTE: The information in Technical Bulletins is intended for use by trained, professional Technicians with the knowledge, tools, and equipment required to do the job properly and safely. It informs these Technicians of conditions that may occur on some vehicles, or provides information that could assist in proper vehicle service. The procedures should not be performed by 'do-it-yourselfers'. If you are not a Retailer, do not assume that a condition described affects your vehicle. Contact an authorized Jaguar service facility to determine whether this bulletin applies to a specific vehicle.

INFORMATION

This reissue replaces all previous versions. Please destroy all previous versions.

This bulletin supersedes TSB JTBO0591NAS2/2018 dated 22 AUG 2018, which should either be destroyed or clearly marked to show it is no longer valid (e.g. with a line across the page). Only refer to the electronic version of this Technical Bulletin in TOPlx.

SECTION:

501-10

SUBJECT/CONCERN:

Front Seat Bolster Wear - Oyster Leather Only

AFFECTED VEHICLE RANGE:

MODEL:	MODEL YEAR:	VIN:
F-PACE (X761)	2017 Onwards	045068 Onwards
XF (X260)	2016 Onwards	Y00461 Onwards

MARKETS:NORTH AMERICA

CONDITION SUMMARY:**SITUATION:**

The front row seat backrest cover(s) and/or cushion cover(s) may exhibit premature cosmetic wear. This affects only vehicles with Oyster color seat trim.

CAUSE:

Poor durability of the leather coating.

ACTION:

Follow the instructions below.

PARTS:

PART NUMBER	DESCRIPTION	QUANTITY
T2H5891	Hog ring	90
T2H37048LKP	Windsor Perforated - Oyster - Left - Hybrid backrest cover - Climate	1
T2H37049LKP	Windsor Perforated - Oyster - Right - Hybrid backrest cover - Climate	1
T2H37050LKP	Windsor Perforated - Oyster - Left - Hybrid backrest cover - Non climate	1
T2H37051LKP	Windsor Perforated - Oyster - Right - Hybrid backrest cover - Non climate	1
T2H37052LKP	Windsor Perforated - Oyster - Left - Hybrid backrest cover - Climate	1
T2H37053LKP	Windsor Perforated - Oyster - Right - Hybrid backrest cover - Climate	1
T2H37054LKP	Windsor Perforated - Oyster - Left - Hybrid backrest cover - Non climate	1
T2H37055LKP	Windsor Perforated - Oyster - Right - Hybrid backrest cover - Non climate	1

PART NUMBER	DESCRIPTION	QUANTITY
T2H37056LKP	Windsor Perforated - Oyster - Left - Backrest - Hybrid cover - Climate - Cushion extension	1
T2H37057LKP	Windsor Perforated - Oyster - Right - Backrest - Hybrid cover - Climate - Cushion extension	1
T2H37058LKP	Windsor Perforated - Oyster - Left - Backrest - Hybrid cover - Non climate - Cushion extension	1
T2H37059LKP	Windsor Perforated - Oyster - Right - Backrest - Hybrid cover - Non climate - Cushion extension	1
T4A29165LKP	Houndstooth - Oyster - Left - Hybrid backrest cover	1
T4A29166LKP	Houndstooth - Oyster - Right - Hybrid backrest cover	1
T4A29167LKP	Houndstooth - Oyster - Left - Hybrid backrest cover	1
T4A29168LKP	Houndstooth - Oyster - Right - Hybrid backrest cover	1

WARRANTY:
NOTES:

- Repair procedures are under constant review, and therefore times are subject to change; those quoted here must be taken as guidance only. Use TOPIx to obtain the latest repair time.
- The JLR claims submission system requires the use of causal part numbers. Labor only claims must show the causal part number with a quantity of zero.

DESCRIPTION	SRO	TIME (HOURS)	CONDITION CODE	CAUSAL PART
Front seat backrest cover - Renew - Pair	76.70.15.01	2.4	30	T2H16224PVJ
Front seat cushion cover - Renew - Pair	76.70.33.01	1.8	30	T2H16224PVJ

NOTE:

Normal Warranty procedures apply.

INSPECTION INSTRUCTION:

1.

NOTES:

- Oyster Windsor (1); Oyster Houndstooth (2).
- If premature cosmetic wear is visible on any of the front row seat cushion and/or backrest covers, the front row seat cushion and backrest covers **must** be renewed on **both** front row seats.



E230171



Inspect the front row seat cushion and backrest covers for premature cosmetic wear.

- ■ If there is any premature cosmetic wear visible on any of the front row seat cushion covers and/or front row seat backrest covers, continue to the service instruction below.
- ■ If there is not any premature cosmetic wear visible on any of the front row seat cushion covers and/or front row seat backrest covers, do not continue with this technical bulletin; the customer concern does not relate to its content.

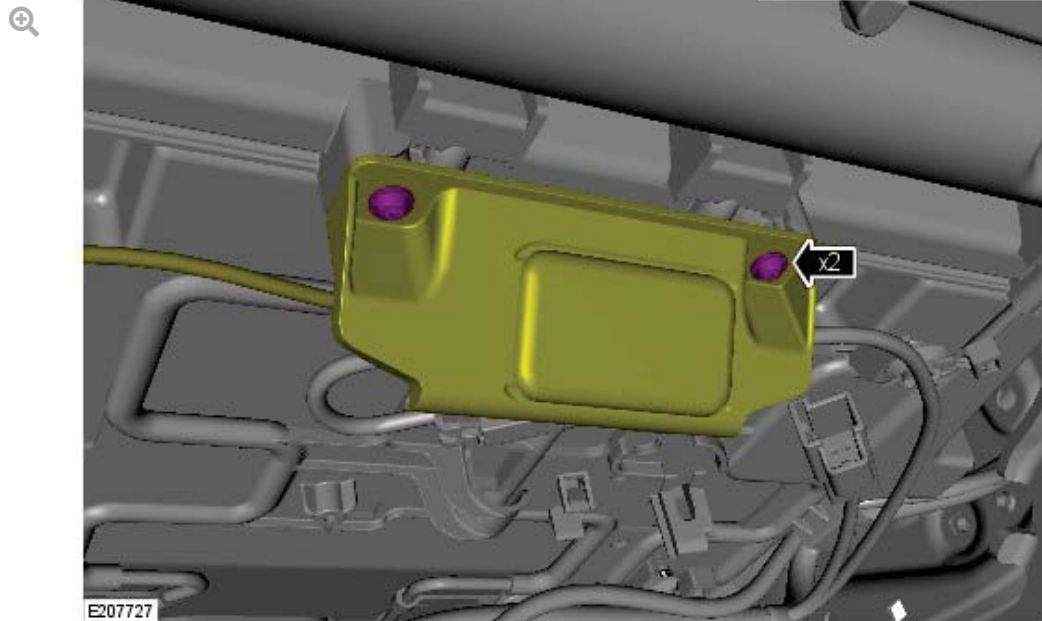
SERVICE INSTRUCTION:

1. Remove the front left and right seats (see TOPIx Workshop Manual section 501-10: Seating - Removal and Installation - Front Row Seat).

2.

NOTES:

- If installed.
- If installed: repeat this step on both front left and right seats.



Release the under seat lamp.

3.

NOTE:

Repeat this step on both front left and right seats.

Renew the front seat cushion (see TOPIx Workshop Manual section 501-10: Seating - Removal and Installation - Front Row Seat Cushion Cover).

- ▪ Do not install the front seat after replacing the front seat cushion cover.
- ▪ Continue to step 4.

4.

NOTE:

Repeat this step on both front left and right seats.

Renew the front seat backrest cover (see TOPIx Workshop Manual section 501-10: Seating - Removal and Installation - Front Row Seat Backrest).

-
5. Install the front left and right seats (see TOPIx Workshop Manual section 501-10: Seating - Removal and Installation - Front Row Seat).