



TECHNICAL BULLETIN

01 AUG 2019

© Jaguar Land Rover North America, LLC

NOTE: The information in Technical Bulletins is intended for use by trained, professional Technicians with the knowledge, tools, and equipment required to do the job properly and safely. It informs these Technicians of conditions that may occur on some vehicles, or provides information that could assist in proper vehicle service. The procedures should not be performed by 'do-it-yourselfers'. If you are not a Retailer, do not assume that a condition described affects your vehicle. Contact an authorized Land Rover service facility to determine whether this bulletin applies to a specific vehicle.

INFORMATION

SECTION:

501-17

SUBJECT /CONCERN:

Roof Opening Panel Seal Adrift

AFFECTED VEHICLE RANGE:

MODEL:	MODEL YEAR:	VIN:	ASSEMBLY PLANT:	APPLICABILITY:
Discovery (LR)	2017-2019	000225-090175	Solihull	Vehicles With: Roof Opening Panel

MARKETS:

Canada, United States

CONDITION SUMMARY:

SITUATION:

There is excessive wind noise from the roof opening panel.

CAUSE:

Roof opening panel seal retainment. **Suggested customer concern code PD3.**

ACTION:

Follow the instruction(s) below.

PARTS:

PART NUMBER	DESCRIPTION	QUANTITY
LR078295	Glass adhesive kit	1

WARRANTY:

 NOTES:

- Repair procedures are under constant review, and therefore times are subject to change; those quoted here must be taken as guidance only. Use TOPIx to obtain the latest repair time.
- The JLR claims submission system requires the use of causal part numbers. Labor only claims must show the causal part number with a quantity of zero.

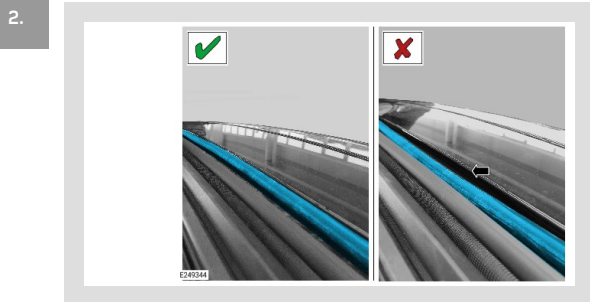
DESCRIPTION	SRO	TIME (HOURS)	CONDITION CODE	CAUSAL PART
Roof opening panel - Main seal - Apply adhesive	77.90.89.38	0.1	07	LR083242
Roof opening panel - Alignment	76.84.82	0.1	07	LR083242

 **NOTE:**

Normal Warranty procedures apply.

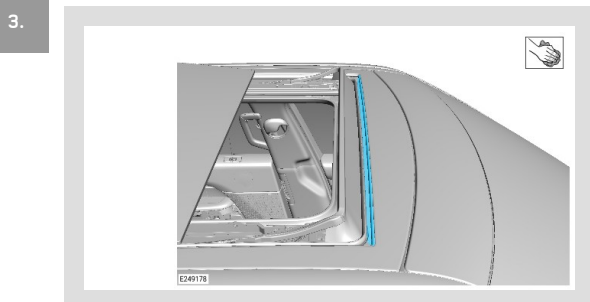
SERVICE INSTRUCTION:

1. Open the roof opening panel.

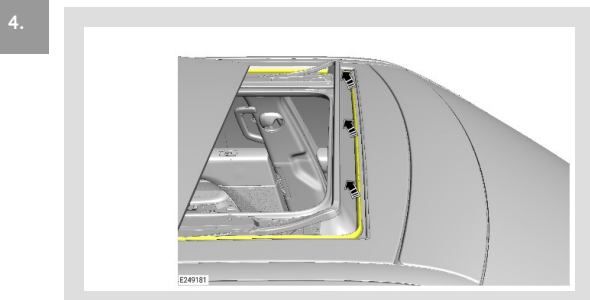


Visually inspect the roof opening panel main seal.

- If any part of the roof opening panel main seal **is not** installed correctly, **continue to step 3.**
- If the roof opening panel main seal **is** installed correctly, **this is not the cause of the customer's concern. Continue diagnosis using the TOPlx Workshop Manual section 501-17: Roof Opening Panel - Diagnosis and Testing - Symptom Chart - Wind noise.**



Clean the roof opening panel main seal and the surrounding area.



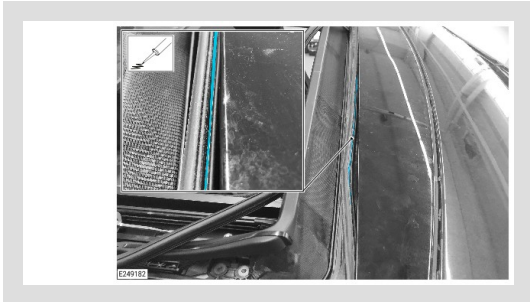
Position the roof opening panel compression seal to one side.

5.



Position the incorrectly installed roof opening panel main seal to one side to gain access to the seal channel.

6.



Apply the glass adhesive to the roof opening panel main seal channel.

7.

⚠ CAUTION:

Remove any excess glass adhesive from the seal/vehicle.

△ NOTE:

For better access, hold the roof opening panel air deflector in the closed position.

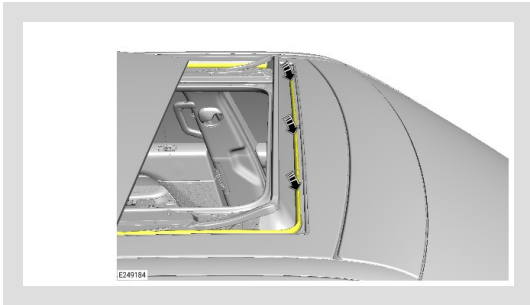


Using a suitable tool, install the roof opening panel main seal.

8.

⚠ CAUTION:

Remove any excess glass adhesive from the seal/vehicle.



Install the roof opening panel compression seal.

9.

△ NOTE:

Allow the sealant to cure for 1 hour before washing the vehicle.

Close the roof opening panel.

10.

Align the roof opening panel (see TOPIx Workshop Manual section 501-17: Roof Opening Panel - Roof Opening Panel Alignment).