

Model Designation on Doors

Concern: **Retrofitting**

Model Year: **As of 2018**

Information: The model designation can be applied as a logo on the doors of the new Cayenne. The logo is available in Black, Red, Gold or Silver and with different model designations.

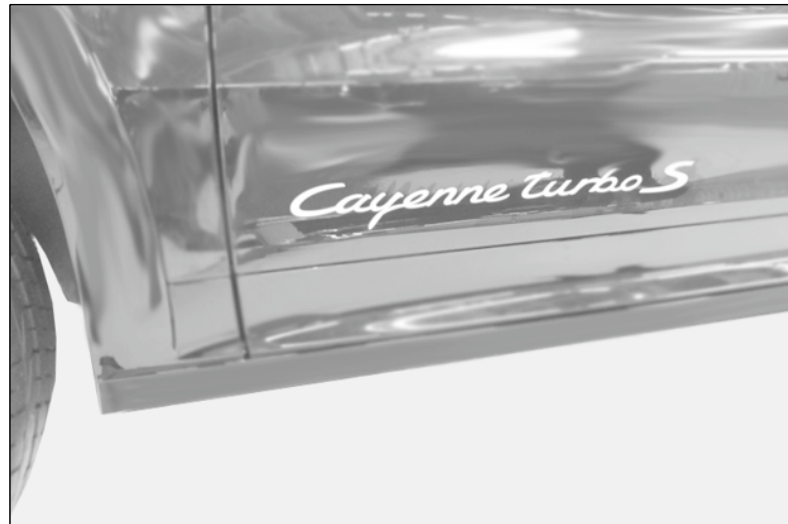


Figure 1

Parts Info: **9Y0.088.870.2X¹** ⇒ "Model designation" logo in Black/Silver/Red/Gold, set

¹ See Porsche Electronic Parts Catalog – PET.

— — — 2 x Logo for Cayenne, complete including backing sheet and protective film

Materials: — — — — — Isopropanol (commercially available)
 — — — — — Cleaning cloths (commercially available)

Work Procedure:



Logo not prepared/installed correctly

- Risk of damage to logo
 - Inadequate logo adhesion
- ⇒ Do not touch the bonding surfaces (logo and vehicle – following cleaning) with your fingers.
- ⇒ Only touch adhesive side of logo in the middle and not at the corners or along the edges (if contact is unavoidable).
- ⇒ The object (logo, vehicle, etc.) and ambient temperature must be at least 59° F. (15° C.). Maintain this or a higher temperature for approx. 24 hours.
- ⇒ Optimal adhesion of the logo to the vehicle is guaranteed after approx. 48 hours. During this period, do not apply excessive pressure on the logo, e.g. by washing the vehicle (either manually or in a car wash) or by checking adhesion by pulling or peeling off the logo, etc.



Information

Some of the repair illustrations show only one side of the vehicle. Naturally, some steps also have to be performed on the opposite side of the vehicle as well. These must be carried out as a mirror image of the steps shown.



Information

Working temperature (object and ambient temperature) of 59° F. (15° C.) to 95° F. (35° C.).

1

- 1.1 Clean dust and grease off the fitting area for the logos on the vehicle using isopropanol.
- 1.2 Carefully pull the logo off the backing sheet. For "non-S" models, just cut off the backing sheet in the specified area ⇒ *Figure 2-1*-. The cut edge is the new reference point for the front edge of the door on non-S models.
- 1.3 Fit the backing sheet flush with the front edge of the door and the edge of the door (⇒ *Figure 2* arrows). Affix backing sheet with logo flush with the lower edge of the door.

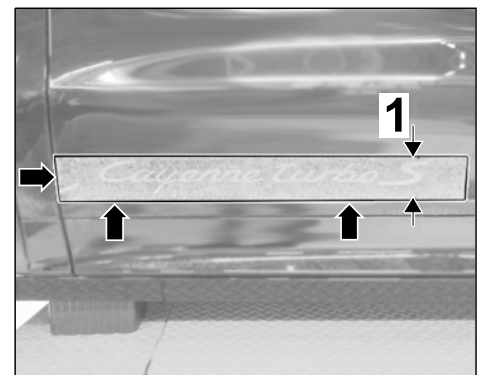


Figure 2

- 1.4 Carefully detach the backing sheet ⇒ *Figure 3*, making sure not to pull off the logo. Illustration shows another vehicle.
- 1.5 Clean the bonding area.



Figure 3

Working Time: 66462410 Model designation fitted on door

Labor time: **60 TU**

Important Notice: Technical Bulletins issued by Porsche Cars North America, Inc. are intended only for use by professional automotive technicians who have attended Porsche service training courses. They are written to inform those technicians of conditions that may occur on some Porsche vehicles, or to provide information that could assist in the proper servicing of a vehicle. Porsche special tools may be necessary in order to perform certain operations identified in these bulletins. Use of tools and procedures other than those Porsche recommends in these bulletins may be detrimental to the safe operation of your vehicle, and may endanger the people working on it. Properly trained Porsche technicians have the equipment, tools, safety instructions, and know-how to do the job properly and safely. Part numbers listed in these bulletins are for reference only. The work procedures updated electronically in the Porsche PIWIS diagnostic and testing device take precedence and, in the event of a discrepancy, the work procedures in the PIWIS Tester are the ones that must be followed.

© 2019 Porsche Cars North America, Inc.