



# SERVICE BULLETIN

Classification: AT18-007a	Reference: NTB18-059a	Date: October 29, 2019
------------------------------	--------------------------	---------------------------

## KICKS, SENTRA, AND VERSA; CVT FLUID LEAK SERVICE INFORMATION

This bulletin has been amended. See **AMENDMENT HISTORY** on the last page.  
Please discard previous versions of this bulletin.

**APPLIED VEHICLES:** 2018-2019 Kicks (P15)  
2013-2019 Sentra (B17)  
2014-2019 Versa Note (E12)  
2012-2019 Versa Sedan (N17)  
2020 Versa Sedan (N18)

**APPLIED TRANSMISSION:** CVT

### SERVICE INFORMATION

CVT related fluid leaks may be diagnosed incorrectly upon initial inspection, causing incorrect parts replacement such as oil pan gaskets, axle seals, etc. To help reduce/eliminate the possible return of an Applied Vehicle, first check for leakage around the CVT fluid charging pipe.

When leakage is determined to be coming from the base of the CVT fluid charging pipe, remove it to inspect, and if necessary, replace the O-ring (see **PARTS INFORMATION** on the last page).

If needed, CVT leak inspection dye may be used to determine the source of the leak.

- Refer to NTB09-140.

See example photos on pages 2 and 3.

Nissan Bulletins are intended for use by qualified technicians, not 'do-it-yourselfers'. Qualified technicians are properly trained individuals who have the equipment, tools, safety instruction, and know-how to do a job properly and safely. NOTE: If you believe that a described condition may apply to a particular vehicle, DO NOT assume that it does. See your Nissan dealer to determine if this applies to your vehicle.

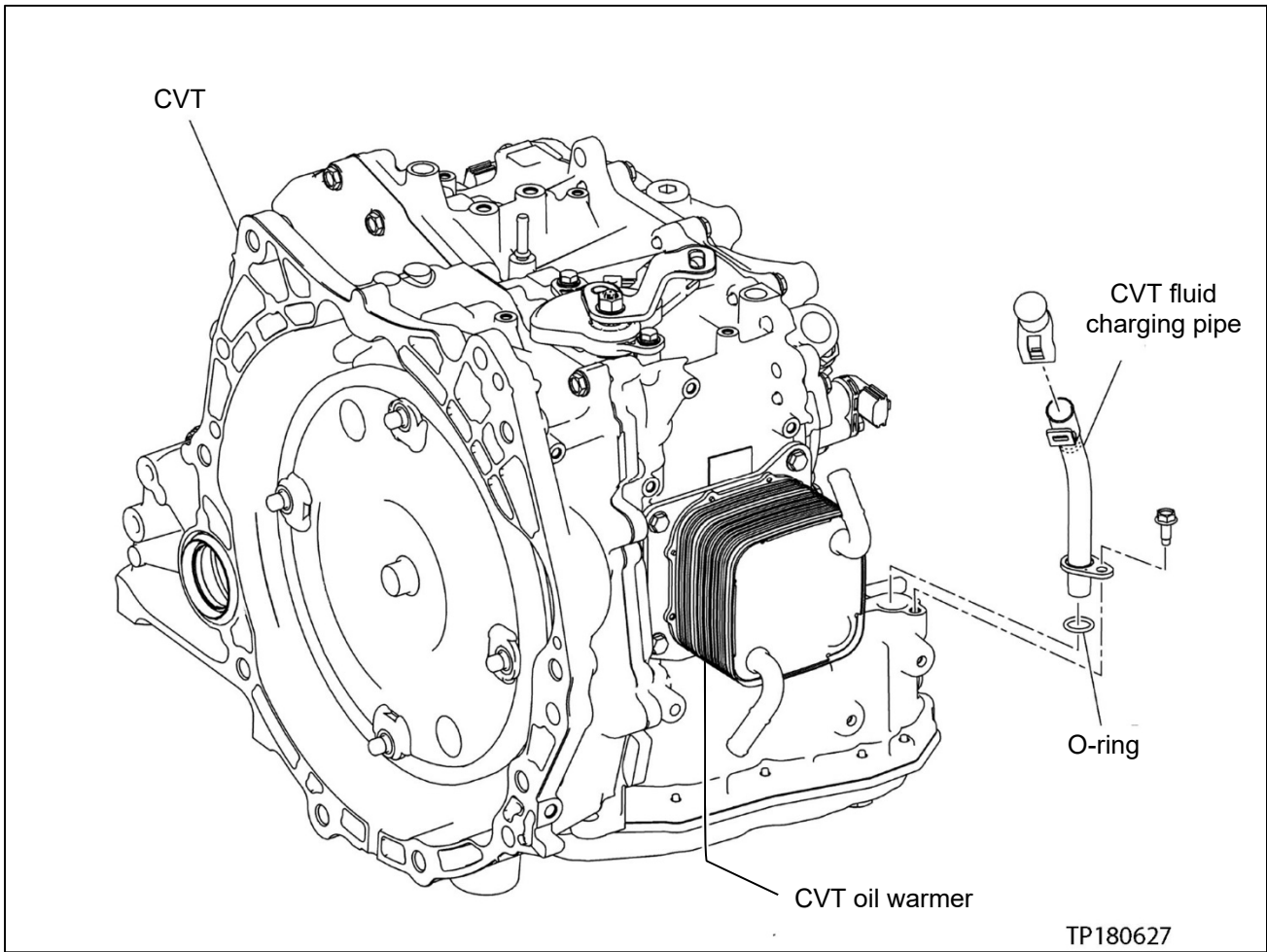


Figure 1

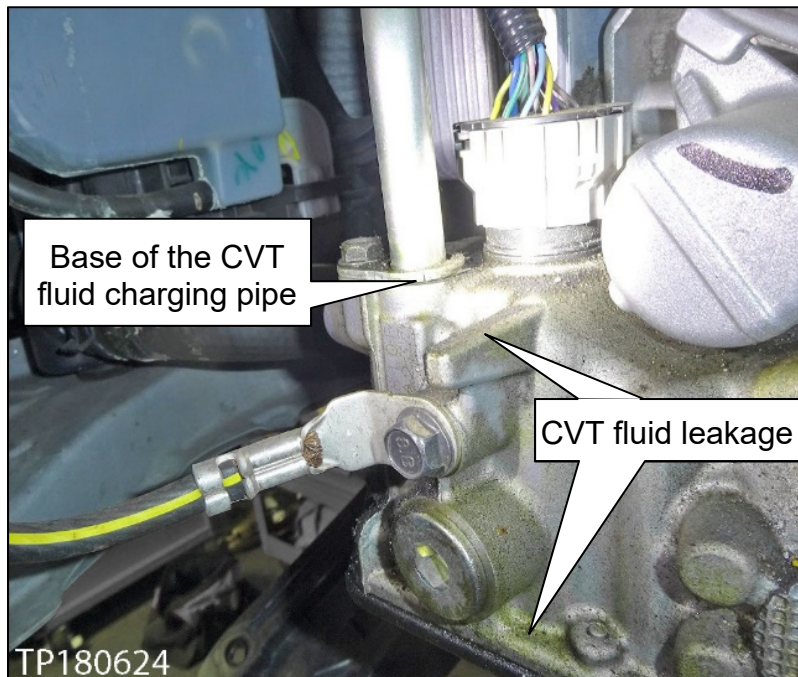


Figure 2

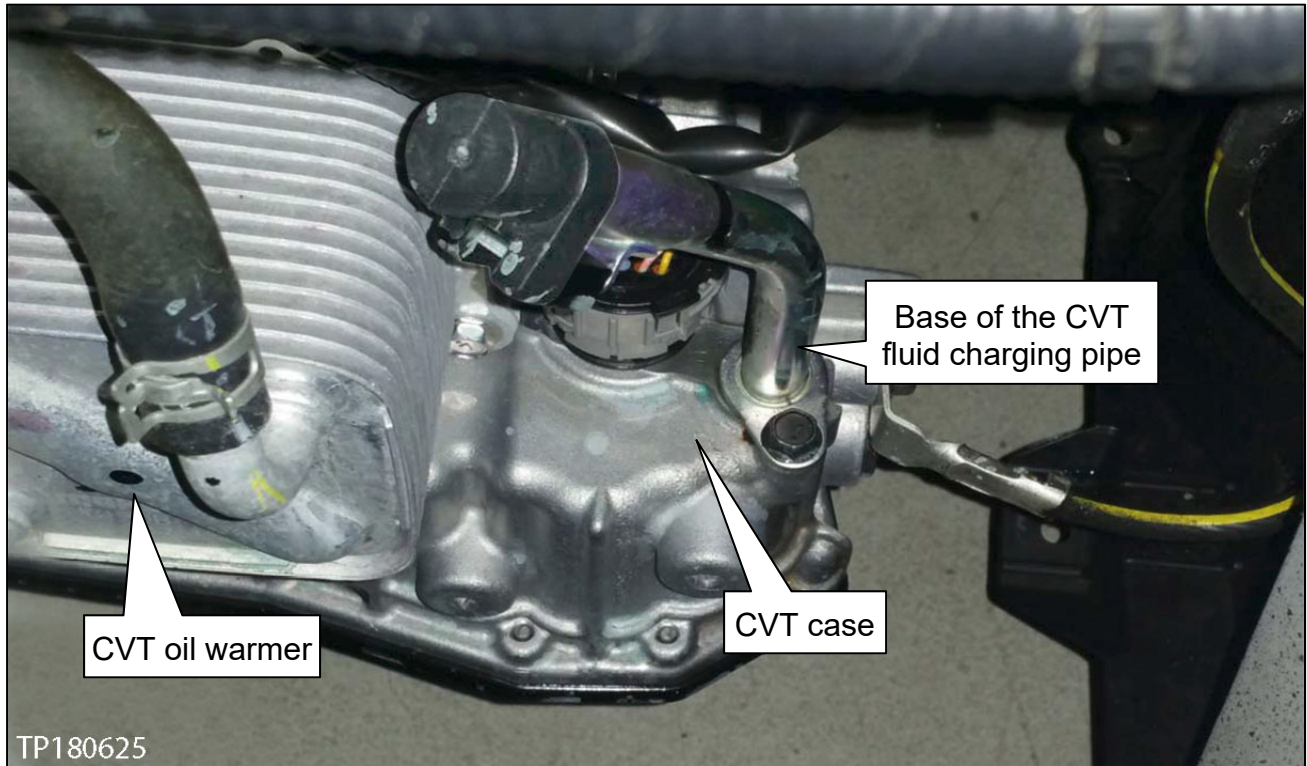


Figure 3

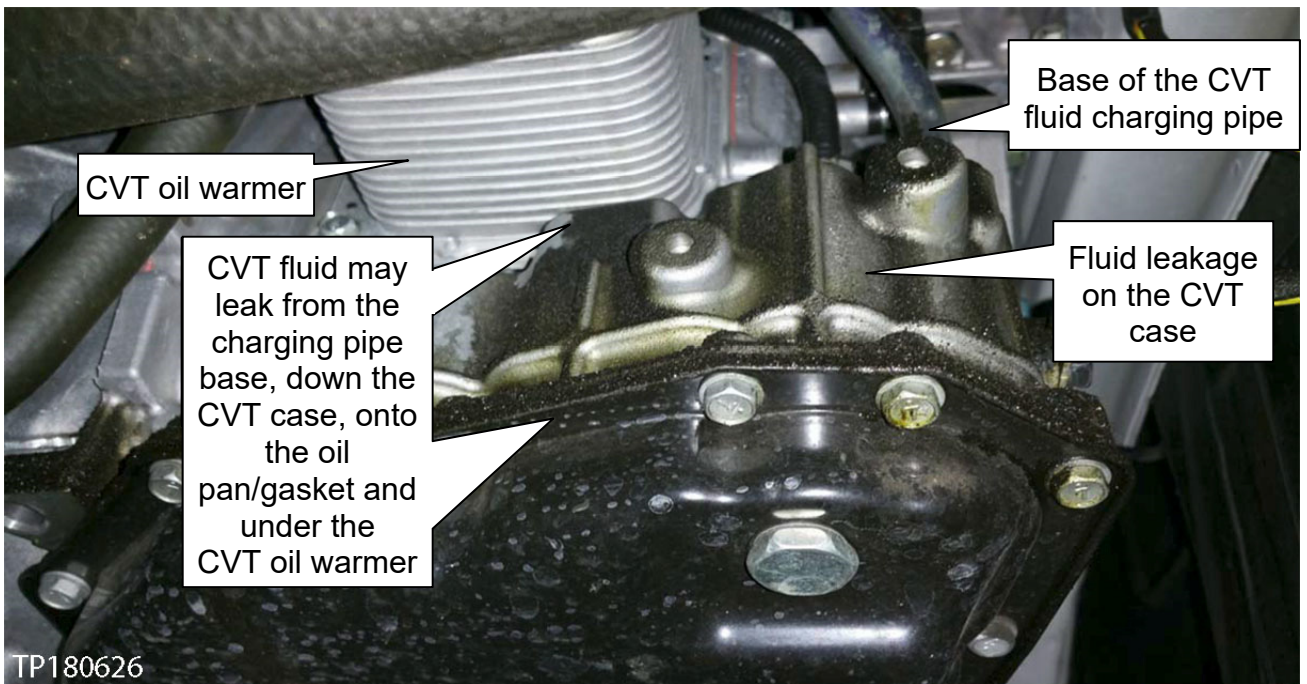


Figure 4

## PARTS INFORMATION

DESCRIPTION	PART NUMBER	QUANTITY
SEAL - O RING	31084-3Z000	1

## AMENDMENT HISTORY

PUBLISHED DATE	REFERENCE	DESCRIPTION
August 24, 2018	NTB18-059	Original bulletin published
October 29, 2019	NTB18-059a	APPLIED VEHICLES section revised and PARTS INFORMATION section added.

