



November 11, 2019

## Product Change Notice - Handrail kit prep slots added to SolidStep

Dear Valued Customer:

Please be advised LCI is adding prep slots to the side rails of our triple and quad SolidSteps to facilitate ease of installation for our new, optional handrail kits.

Four .200" slots will be added to the right and left side rails (Fig. 1). While the majority of handrails will be installed on the left side (Fig. 2) to accommodate right-hinge doors, holes were also added to right side rail to accommodate left-hinge doors.

There is no change in installation or operation of the steps with the addition of new prep slots. There is no price change and no part number change for the SolidStep assemblies.

This will be a running change. Timing will vary depending on usage.

Fig.1

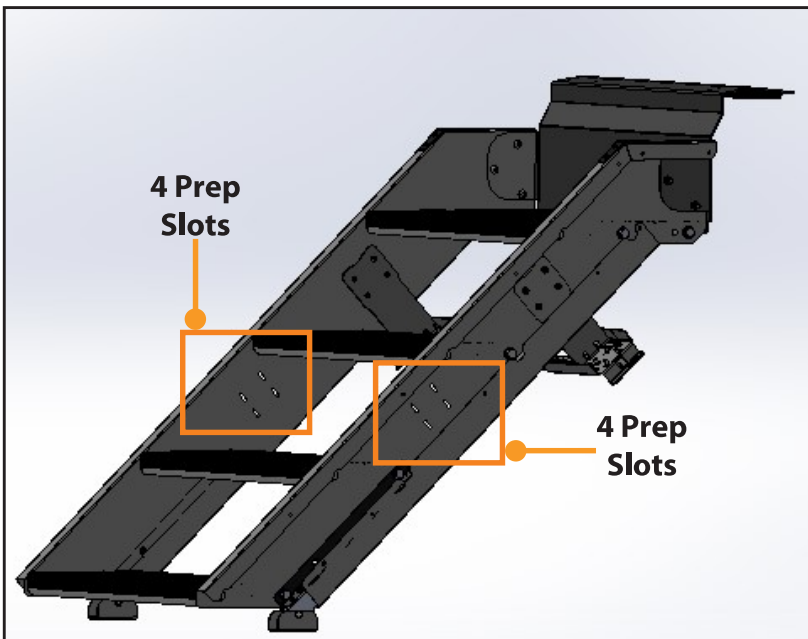
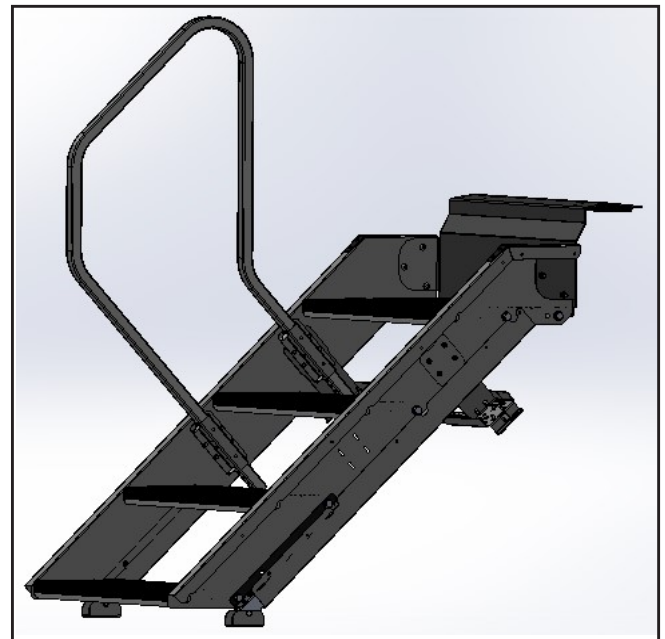


Fig.2



SolidStep with handrail installed on left side.

If you have any questions, please feel free to call me directly or your LCI representative. We value and appreciate your business and partnership.

Sincerely,

**Brian Hess**

VP of Innovation

Lippert Components, Inc.

c: 574.361.5185

[bhess@lci1.com](mailto:bhess@lci1.com)

## **Frequently Asked Questions:**

- 1. Will a new part number be required?** No, the part number remains the same.
- 2. Does the price change for the item?** No, there is no price change.
- 3. Is the new part wholly interchangeable with the previous version of the part?** Yes, the steps are interchangeable, the slots make no difference in operation or installation of the step assembly.
- 4. Does the customer need to replace inventory?** No, this will be a running change. Timing will vary depending on usage.