

Symptom - Engine - Engine is Sluggish When Revving Up/Maximum Speed is Not Reached: Checking Part Number of Throttle-housing Cover (SY 104/19)

Vehicle Type: **911 GT3**

Model Year: **As of 2018 up to 2019**

Subject: **Throttle-housing cover**

Symptom: The vehicle does not reach maximum speed and the engine is sluggish when revving up at speeds of more than 7,000 rpm. The yellow warning message **"Reduced engine power – Driving permitted"** can also appear in the instrument cluster.

Cause: The cover between the air cleaner housing and throttle housing can become deformed due to insufficient material hardness while driving.

Remedial Action: Check part number of throttle-housing cover and replace it with an optimized cover if necessary.

Date of Introduction: Optimized covers are used from:

Date	16.04.2019
VIN	WPOZZZ99ZKS170076

Required spare parts

Spare Parts:	Part No.	Designation	Qty.
	99111027084	⇒ Intake tube	1

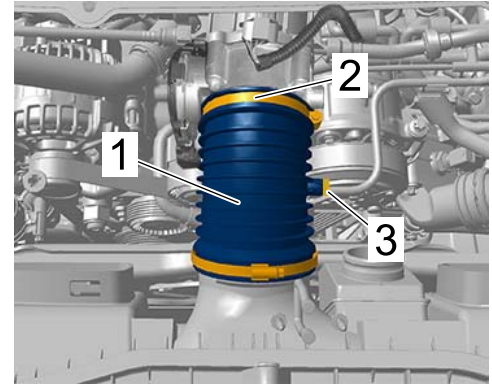
Preparatory work

Work Procedure: 1 Remove engine-compartment blower, see ⇒ *Workshop Manual '198119 Removing and installing engine-compartment blower'*.

Checking part number of throttle-housing cover

Work Procedure: 1 Check part number ⇒ *Throttle-housing cover -1-*.

- 1.1 Replace throttle-housing cover with Part No. **99111027091**, see ⇒ *Workshop Manual '242519 Removing and installing air cleaner housing'*.



Throttle-housing cover

Concluding work

Work Procedure: 1 Install engine-compartment blower, see ⇒ *Workshop Manual '198119 Removing and installing engine-compartment blower'*.

Invoicing

Invoicing: For documentation and warranty invoicing, enter the labor operations, PQIS coding and part numbers specified below in the warranty claim:

APOS	Labor operation	I No.
24350125	Checking throttle-housing cover (101 TU)	
24355525	Checking and replacing throttle-housing cover (107 TU)	

PQIS coding:

Location (FES5)	24350	Throttle-housing cover
Damage type (SA4)	1012	too short/too small

Part No.	Designation	Qty.
99111027084	⇒ Intake tube	1

References: ⇒ *Workshop Manual '242519 Removing and installing air cleaner housing'*

Important Notice: Technical Bulletins issued by Porsche Cars North America, Inc. are intended only for use by professional automotive technicians who have attended Porsche service training courses. They are written to inform those technicians of conditions that may occur on some Porsche vehicles, or to provide information that could assist in the proper servicing of a vehicle. Porsche special tools may be necessary in order to perform certain operations identified in these bulletins. Use of tools and procedures other than those Porsche recommends in these bulletins may be detrimental to the safe operation of your vehicle, and may endanger the people working on it. Properly trained Porsche technicians have the equipment, tools, safety instructions, and know-how to do the job properly and safely. Part numbers listed in these bulletins are for reference only. The work procedures updated electronically in the Porsche PIWIS diagnostic and testing device take precedence and, in the event of a discrepancy, the work procedures in the PIWIS Tester are the ones that must be followed.

© 2019 Porsche Cars North America, Inc.