



TECH TALK

Volume 200, September, 2013

In This Issue

- Vehicle Technical Info..... page 1
- Tips from the Toolman..... page 3
- MEDIC Information..... page 4
- Side Air Dam Template..... page 5
- Training News..... page 6
- MapCare™ Announcement..... page 7
- Techline Information..... page 8
- Bulletin Review..... page 8

Vehicle Technical Info

GROUP 00 – General

NEW LSD GEAR OIL (SAE 90) PART NUMBER
 — 2008-14 Lancer Evolution , 2009-14 Lancer Ralliart, 2010-11 Lancer Sportback Ralliart. A new part number has been established for the subject gear oil to change its QUP (quantity unit pack). Part number 3775610 (4 liter can) is superseded by MZ320345 (1 quart bottle). The QUP of the new part number is 12 quarts (1 case). Having this product available in smaller containers makes it easier for it to be sold over the counter.

GROUP 23 – Automatic Transmission

“SLOW DOWN!” DISPLAYED ON MID — 2011 & later Outlander Sport/RVR, 2008 & later Lancer based vehicles w/CVT, 2008 & later Outlander with CVT. One reason the “Slow Down” message displays on the MID is that transmission temperature may have risen to an undesirable level. Customers may notice this while driving long distances or climbing steep grades in high ambient temperatures at freeway speeds, If a customer reports seeing this message and then having it turn off after they slowed or stopped the vehicle, the system is functioning as designed. If they report the warning remains,

flashes frequently, or comes on regardless of driving conditions, check the transmission oil level is not overfull and check the transmission oil degradation level using the actuator test in the MUT-III (System select > ELC-AT/CVT/TS-SST) > Special Function) before other diagnosis. If you see a reading approaching or exceeding 210,000, the transmission oil is possibly degraded and requires replacement. Reset the transmission degradation level only after servicing the transmission. Also, refer the customer to the cautions displayed in their owner’s manual, Section 3: Features and Control > CVT > Warning Display, for future reference. For 2008 and certain 2009 Lancers, refer to the instructions provided in TSB-10-23-005.

GROUP 42A – Body

MID READS “KEYLESS OPERATION SERVICE REQUIRED” 2013-14 Outlander Sport/RVR with accessory DRLs. If you see the subject message, and diagnosing with the MUT-III reveals “DTC B2419 - Left front antenna voltage short,” but the vehicle starts and the door locks function properly, perform the following check.

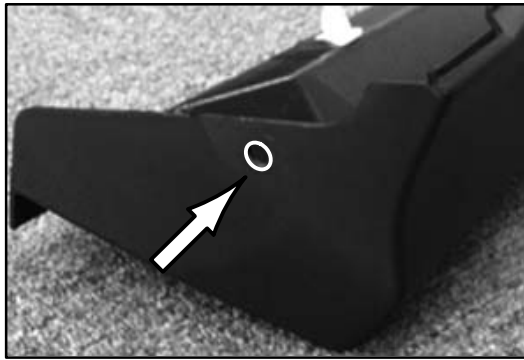
Start the engine and confirm that DRLs are off with the parking brake set. They should turn on when the parking brake is released and turn off again when the parking brake is reset.

If you do not get this result, check the wire connections in the driver’s side kick panel area. Accessory DRLs should be connected to an LG (light green) wire at connector C-26, using a Scotch-lock connector, to give the system a parking brake input. If the connection was incorrectly made to the LG wire at connector C-27 instead, the “service required” message will appear and the DTC will be set. Repair as necessary and recheck for proper function.

GROUP 51 – Exterior

REPLACING SIDE AIR DAM WITH WHEEL ARCH MOLDINGS — 2013-14 Outlander Sport LE. If replacing the side air dam on vehicles with

wheel arch moldings, you must modify the air dam by drilling a hole in its rear flange to accommodate the wheel arch molding fastener. Service parts do not have this hole.



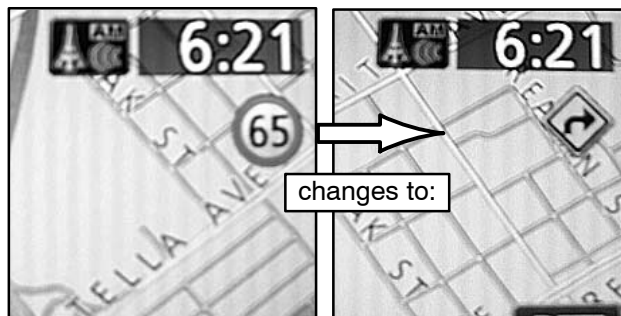
Use the template that appears later in this issue to accurately drill the hole as indicated in the photo. The template can be used on either the left or right air dam by turning it over. After printing the template, make sure you measure the 100mm scale on the page to confirm your printers accuracy.

A copy of the template is also available on the MDL (service > service tech resources > Service Related Items > Technical Worksheets).



GROUP 54 – Chassis Electrical

CHIME HEARD FROM NAVIGATION SYSTEM WHILE DRIVING — 2014 Models with new generation MMCS Navigation. Customers may question the source of a single chime heard while driving, usually after exiting a freeway. The chime is a warning from the Curve Guidance feature of the MMCS navigation system letting the driver know there is a curve in the road ahead, like a turn at the end of an off ramp. A “Curve Guidance” indicator, replaces the “Speed Indicator Guidance” (posted speed limit) in the upper right corner of the monitor. For example:



If a customer requests the chime be turned off, the change can be made in the Navigation settings menu of the MMCS. Page 196 of the

Mitsubishi Multi Communication System Instruction booklet provides instructions to turn off the warning chime.

“HERE MAPCARE™ PROGRAM” ANNOUNCEMENT IN GLOVEBOX. All 2014 models with MMCS. This feature provides for two convenient map software updates, and important information about how and when upgrades occur is located on a flier inserted into the glovebox of affected vehicles. Please ensure this information is in the vehicle at the time of customer delivery. It should also be explained to the customer during the delivery process. A copy of the flier appears later in this issue.

These upgrades also apply to dealer installed MMCS, but do not apply to the MMES in the 2014 Mirage.

MINI FUSES BEING USED IN SOME MODELS — 2012 I-MIEV, 2014 Outlander, 2014 Mirage. New smaller size “low profile mini fuses” are being used in affected vehicles. They are available in four different amperage ratings and listed in CAPS. They are not interchangeable with the standard fuses used in other models. Part numbers are:

- MS810891 7.5A
- MS810892 10A
- MS810893 15A
- MS810894 20A



As a note, 30A standard fuses are also used in these vehicles. Their number and applied circuits may vary by model and year, so make sure you use the correct fuse type for a circuit.

CANNOT TUNE SATELLITE RADIO PREMIUM CHANNELS (204-220) — All through model year 2013. Customers who subscribe to SiriusXM® Premium Radio Service may report they cannot receive the premium channels. Satellite radio receivers in pre-2014 models cannot tune channels higher than 184.



GROUP 60 – Recalls

ATIN-13-SR-008-A: 2013 OUTLANDER SPORT LEFT FRONT STRUT SAFETY RECALL — 2013 Outlander Sport/RVR built from 1/17/2013 - 1/25/2013. The subject TIN was sent to dealers on July 23, 2013 and states:

“A safety recall campaign will be released today for the left front strut installed on certain 2013 Outlander Sport vehicles built from January 17, 2013 – January 25, 2013. **Do not deliver any affected 2013 Outlander Sport vehicles built from January 17, 2013 – January 25, 2013 until this recall has been performed.** This recall campaign will be conducted in the U.S., Puerto Rico and Canada. The Recall Bulletin outlining the repair procedure will be available today on MEDIC and MDL.

Due to a part manufacturing error, the front left strut assembly may have an improperly welded stabilizer link bracket. On affected parts, the bracket may become disconnected from the strut assembly. If use continues under this condition, a detached bracket could cause damage to the tire and/or brake hose, which could lead to a greater risk of crash.

Dealers are requested to inspect all affected vehicles to determine if the left front strut assembly has an improperly welded

stabilizer link bracket. If required, the dealer will replace the strut.

Affected new vehicle inventory VINs can be reviewed on the Mitsubishi Dealer Link in the Open Recalls List available under the service section of “e-reports.” Dealers must review the Warranty Superscreen to confirm if any vehicles in their new or used vehicle inventories are affected, and conduct this campaign prior to delivering them.

IMPORTANT

Affected new or used inventory vehicles must be repaired before the vehicle is delivered. Dealers must check their inventory vehicles’ VINs on the Warranty Super Screen to verify whether the vehicle is involved in this recall campaign. It is a violation of Federal law for a dealer to deliver a new motor vehicle or any new or used item of motor vehicle equipment (including a tire) covered by the notification under a sale or lease until the defect or noncompliance is remedied.”



<p>Tips From the Toolman</p>	<p>NEW SPECIAL SERVICE TOOLS FOR 2014 MIRAGE</p>
-------------------------------------	---------------------------------------------------------

A number of new special service tools are required for proper servicing and repair of the new 2014 Mirage. Tools categorized as “Essential” in the following chart are scheduled to be shipped to dealers the week of September 3, 2013. Tools categorized as “Available” can be ordered from Bosch Automotive Service Solutions, if desired, by calling 1 (888) 727-6672. Visit the Mitsubishi Special Tools website at <http://mitsubishidealersolutions.com> or click the SST tab on your MEDIC to view the complete special tools catalogue. Tools categorized as “GST” (General Service Tools) are available from local tool suppliers. Contact Russell Hui (rhui@mmsa.com) with special service tool questions.

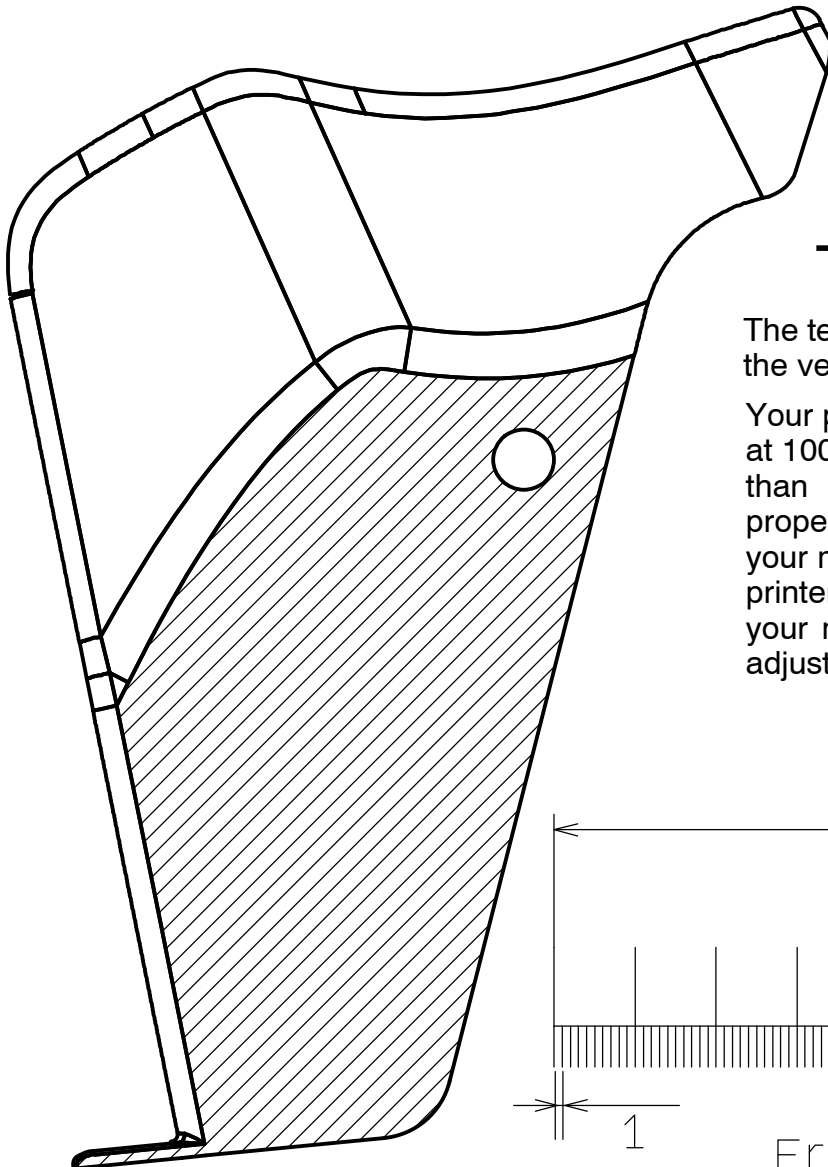
TOOL NUMBER	STATUS	DESCRIPTION
MD998816-01	Essential	Installation adaptors: Used with MIT301480-A. Removal and installation of various bearing, synchronizers hubs and gears during F5MBD transmission overhaul.
MD998817-01	Essential	
MD998818-01	Essential	
MD998821-01	Essential	
MB992873-01	Essential	Seal Installer Adaptor: Used with MB990938-01 to install the oil seals for the F5MBD manual transmission. Necessary to prevent damage to the oil seal lip and set the oil seal to the proper depth in the transmission case.

TOOL NUMBER	STATUS	DESCRIPTION
MB992867-01	Essential	Used in place of the spacer found in MB990998-01, this tool will allow for the proper removal of the front wheel hub. Take care not to use the spacer found with MB990998-01 (spacer will be black). While the two spacers are only slightly different in size, use of the black spacer may result in damage to the wheel bearing and tool.
MB992202-01/ MB992909-01	Essential	Fuel Tank Wrench Handle and Adapter: Necessary to remove the fuel pump module lock ring. Recommend using the fuel tank wrench and adapter with a T- Handle Breaker Bar to prevent damage to the tank or lock ring.
MB991008	Available	Piston Cup Installer: Used while rebuilding the wheel cylinder in the rear drum brake. The tool will help align the piston cups with the piston.
MB991144	Available	Side Gear Holding Tool: Allows you to rotate the differential for the measurement of differential preload in the F5MBD manual transmission.
MB990643	Available	Installer Base: Used to support the front suspension lower control arm during bushing removal.
MB992868	Available	Spacer: Used with MB998375-01 for installation of the front lower suspension control arm bushing. Allows the bushing to be driven to the proper depth.
MB990982	Available	Oil Sealer Installer: Used to install the the side oil seal on F1CJB CVT.
MB992922	Available	Universal valve stem seal installer: Developed for 3A92, 4B1 and 4J12 engines. Replaces seal installers previously specified for 4G69, 4G64, 6B31, 6G72, 6G74, 6G75.
MB990642	GST	Bearing Race installer: Used to install the tapered roller bearing outer race into the F5MBD transmission case. Replace with a generic 2 3/4" flat surfaced bearing/seal installer (or equivalent).
MD998815	GST	Used to press fit the front wheel bearing into the knuckle. Replace with a generic 2 1/2" bearing/seal installer.
MB991992	GST	Used to remove the VVT sprocket bolt during 3A92 timing chain service. Replace with a generic offset box end wrench.
MB991152	GST	Dust Cover Installer: Used to remove the rear wheel bearing. Replace with a generic 1 3/4" bearing installer.
MB991199	GST	Oil Seal Installer used to press the front hub into the front knuckle. Replace with a generic 3/4" bearing installer.



<p>MEDIC Information</p> <p>MEDIC Hotline (800) 846-7575</p>	<p>Call the MEDIC Hotline for <u>ALL MEDIC & Scan Tool hardware or software issues</u>. Call TECHLINE for vehicle technical issues.</p> <p>As of 8/27/13: Total Hits - 6128 Reflash Database - N13021</p> <p>MEDIC 3 Version - 3.2 MEDIC 3 Update - 214</p> <p>MUT-III Version - 28.0 Raider Scan Tool Version - 6.0</p>
----------------------------------------------------------------------------	------------------------------------------------------------------------------------------------------------------------------------------------------------------------------------------------------------------------------------------------------------------------------------------------------------------------------------------------------------------------

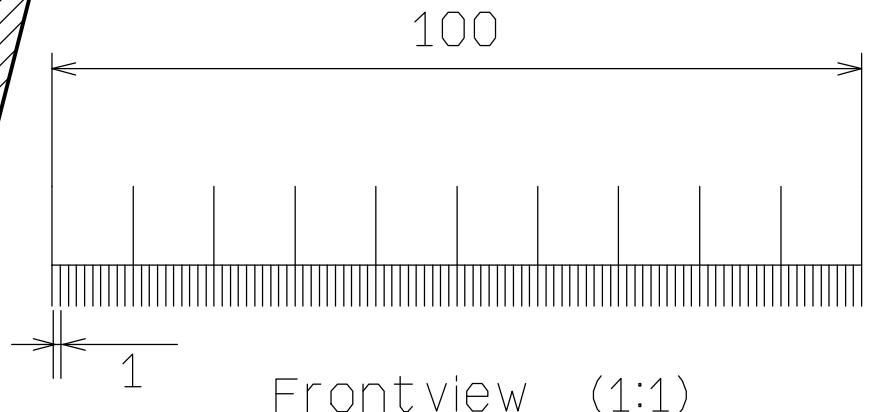
EXAMPLE OF DRILLING SIDE AIR DAM FOR WHEEL ARCH MOLDINGS



TEMPLATE

The template can be used on either side of the vehicle by flipping it over.

Your printer may not print the scale below at 100%. If your measurement is greater than 100mm, adjust your printer properties to a smaller percentage (e.g. if your measurement is 102mm, adjust your printer to print at 98% of actual size). If your measurement is less than 100mm, adjust to a percentage larger than 100%.



Front view (1:1)

Training News

Technical Training Schedule September — October, 2013

Mobile Training does not appear on these calendars. Contact your District Parts & Service Manager for information about mobile training in your area.

East Zone - N.J. Tech Training Center

September					October				
M	T	W	Th	F	M	T	W	Th	F
2	3	4	5	6		1	2	3	4
H		141	ASCF			141	ASCF	TC-SST	
9	10	11	12	13	7	8	9	10	11
	ES2		MEVTT				MFIT2		
16	17	18	19	20	14	15	16	17	18
	141	ASCF	TC-SST			MED2	STV3	141	ASCF
23	24	25	26	27	21	22	23	24	25
30	1	2	3	4	28	29	30	31	1
	141	ASCF	TC-SST			141	ASCF	TC-SST	

East Zone - Atlanta Tech Training Center

September					October				
M	T	W	Th	F	M	T	W	Th	F
2	3	4	5	6		1	2	3	4
H			MTT				MFIT2		
9	10	11	12	13	7	8	9	10	11
		AT2	AT3				AED		
16	17	18	19	20	14	15	16	17	18
	141	ASCF	TC-SST			141	ASCF	TC-SST	
23	24	25	26	27	21	22	23	24	25
						CVTT	ABS		
30	1	2	3	4	28	29	30	31	1
		MFIT2				ES2		SP3	

West Zone-Dallas Tech Training Center

September					October				
M	T	W	Th	F	M	T	W	Th	F
2	3	4	5	6		1	2	3	4
H			EN1			ABS	SP3	141	ASCF
9	10	11	12	13	7	8	9	10	11
	ES2		MED2			141	ASCF	TC-SST	
16	17	18	19	20	14	15	16	17	18
STV3	141	ASCF	ES3			MAC	MEVTT		
	MEVTT		TC-SST		21	22	23	24	25
23	24	25	26	27		141	ASCF	TC-SST	
	AT2		AT3			MTT	SP3		
30					28	29	30	31	1
						AED		AAC	

California Technical Training Center

September					October				
M	T	W	Th	F	M	T	W	Th	F
2	3	4	5	6		1	2	3	4
H									
9	10	11	12	13	7	8	9	10	11
							MTT		AAC
16	17	18	19	20	14	15	16	17	18
23	24	25	26	27	21	22	23	24	25
	TC-SST		141	ASCF					
30					28	29	30	31	1

Days	Code	Prerequisites	Days	Code	Prerequisites
Automatic Transaxles			Manual Transaxles		
40/50 Series Diagnosis & Repair	3	AT2T ATF11 or ATFWE or ATFB	Manual Transaxles & Transfer Cases	3	MTT No Prerequisites
50 Series 5-speed Diagnosis & Repair	1	AT3 AT2T	Twin Clutch Sportronic Shift Transmission	2	TC-SST AESP, ES1, ES2, STV3, MED2, MED3, ATFWE, MTT
CVT Diagnosis & Repair	2	CVTT ATF11 or ATFWE or ATFB			
Brakes			Vehicle Specific		
Antilock Brakes	2	ABS2 ES1	Eclipse Spyder Convertible Top (Top Stack)	1	SP3 No Prerequisites
Electrical Systems			2014 Outlander Technology	1	141 ES1, MED2, MED3, STV3
Electrical Systems 2	3	ES2 ES1	Mitsubishi Electric Vehicle Technician Training	2	MEVTT AESP, ES1, ES2, STV3, MED2, MED3, 120
Electrical Systems 3	2	ES3 ES1	Vehicle Diagnostics		
Engine Performance			Advanced Electronic Service Procedures	-	AESP No Prerequisites
Advanced Emission Diagnosis	3	AED ES1, STV3, MFIT2	Advanced Safety Features	1	ASF ES1, MED2, MED3, STV3
Engine Technology & Diagnosis	3	EN1 No Prerequisites	MEDIC II	1	MED2 No Prerequisites
Multiport Fuel Injection	4	MFIT2 ES1, STV3	Scan Tool Viewer (MUT-III)	1	STV3 No Prerequisites
Heating & A/C Systems					
Manual A/C Systems	2	MACT No Prerequisites			
Automatic A/C Systems	1	AACT1 ES1			

NEWS:

- **2014 Mirage New Model Training:** Due to limited new technologies and service procedures, this course will be an online self-study book in PDF form. Service personnel will download the book from the Mitsubishi Academy (www.mitsubishiacademy.com). The book contains a quiz to test the technicians knowledge of the course.
- The 2014 Outlander Service Web Training Course is now available for Service Managers and Service Advisors. The course code is 130601 and is a requirement for the 2013 Diamond Quality Management and Diamond Certification Recognition Programs. Log on to mitsubishiacademy.com and complete this important training.

HERE MapCare™ Program

Welcome to convenient map updates

What is the HERE MapCare Program?

HERE MapCare is a two year map update program at **no additional charge to you** to provide you with the freshest map update available for your Genuine Mitsubishi navigation system. You will receive one update approximately one year after registering and the second map update approximately one year after you receive your first update. Each of the future updates will be automatically shipped to your address at no additional cost to you.

What is the actual product?

Media Format: SD Card

How do I know if my car qualifies for this program?

Please see below for the vehicles that qualify for MapCare: Model Year 2014 and subsequent years for the following Mitsubishi vehicle models:

Lancer, Lancer Evolution and Lancer Sportback
Outlander and Outlander Sport

Do I have an option as to when I receive the updates in the program?

HERE MapCare is set up so that your updates are automatically sent to you on a scheduled annual basis.

Map Update:	Time of Shipment:
1 st Map Update	Approx. 1 year after registration
2 nd Map Update	Approx. 1 year after the 1 st update is received

What if I don't receive my map updates as the program stated?

Please contact our toll-free customer care number at (866) 374-9666 so we can resolve your concern.

What if my address changes throughout the course of the program?

You can easily change your address by calling our toll-free customer care number at (866) 374-9666 OR you can update your address using the following URL: www.navigation.com/mapcare/mitsubishimotors-na

If I sell my vehicle, and I have map updates left, can this program be transferred to the new owner?

Yes, you can easily change the address listed to the new owner by calling our toll-free customer care number at (866) 374-9666 OR by using the following URL: www.navigation.com/mapcare/mitsubishimotors-na

How will I know when my updates is going to be shipped to me?

One month before your map update is ready to be shipped; you will receive a reminder email. This is an opportunity to update your mailing address if need be, or any other personal information pertaining to your order. You will also receive an email before your order is shipped, as it is being processed, to let you know it is going to be shipped out.

What if I don't register for the program?

In order to receive your two map updates, you must register with HERE MapCare at the following URL: www.navigation.com/mapcare/mitsubishimotors-na OR call our customer contact center at (866) 347-9666.

***Consumers have 90 days from purchase of their Mitsubishi vehicle to register for the HERE MapCare program. Without your program registration, we are unable to send you map updates for your vehicle.**

How Does The Registration Process Work?


Congratulations! You are the new owner of a Mitsubishi vehicle! Below you will find instructions on how to register for your HERE MapCare Program.

1. You will need to go online and register for the program.
 - a. The website is: www.navigation.com/mapcare/mitsubishimotors-na
 - b. You will need your VIN as well as your email address.
2. Once you are finished registering, you will receive a welcome email including pertinent information from registration.
3. One month before the newest map update release, you will receive a reminder email announcing the upcoming map update release.
 - a. This will occur 11 months after registration.
 - b. At this time, you will be asked to verify your address and make any changes if necessary.
4. You will receive your first map update approximately one year after registration.
5. You will once again receive a reminder email before the next map update release, 11 months after receiving your first map update.
6. You will receive your second map update approximately 2 years after registration.

HELPFUL TIP: To ensure that you get registered for the program, ask your Dealer to help you get registered at the dealership!

**** IMPORTANT INFORMATION: It is HIGHLY recommended that you keep your email address updated to ensure timely delivery of your map updates through the HERE MapCare Program.**



<h1 style="margin: 0;">TECHLINE</h1> <p style="margin: 0;">(800) 446-6064</p>	 <p>HOURS: Monday — Friday 6:30 – 11:30 am & 12:30 – 3:30 pm All times are Pacific Time</p> <p>NOTE: Techline is closed every THURSDAY from 9:30 – 10:30 A.M (Pacific) for a staff meeting.</p>
-------------------------------------------------------------------------------	---------------------------------------------------------------------------------------------------------------------------------------------------------------------------------------------------------------------------------------------------------------------------------------------------------------------------------



<h1 style="margin: 0;">Bulletin Review</h1>	<p>The following information was recently released:</p>
---------------------------------------------	---------------------------------------------------------

Number	Title	Vehicles	Subject
TSB-11-00-007	General PDI Procedures for 2014 Models - Revised	All 2014 Models	Revises TSB-11-00-007 to update MMES, Rear Seat Belt and other information.
TSB-11-00-011REV	New Model Service Information and Features -Revised	2014 Lancer & Lancer Sportback	Revises TSB-11-00-011 to update information regarding MMES
TSB-11-00-012REV	New Model Service Information and Features -Revised	2014 Lancer Evolution	Revises TSB-11-00-012 to update information regarding MMES
TSB-11-00-014REVII	New Model Service Information and Features -Revised	2014 Outlander	Revises TSB-11-00-012 to update MMES, Rear Seat Belt and other information.
TSB-11-00-015REV	New Model Service Information and Features -Revised	2014 Outlander Sport	Revises TSB-11-00-015 to update information regarding MMES
TSB-13-11-007	Updated Compression Test Specifications (4J12 Engine) - SMR	2014 Outlander	Updates compression specification pressure difference specification.
TSB-13-17-001	EGR Control Circuits Corrected-SMR	2004-12 Endeavor, 2004-12 Galant, 2006-12 Eclipse, 2007-12 Eclipse Spyder	Updates pin connection numbers at the EGR valve.
TSB-13-51-003	Liftgate Paint Peeling at Spoiler Ends	2011-13 Outlander Sport/RVR	Provide instructions to repair paint damage and install preventive protectors to the spoiler.



© Copyright 2013 Mitsubishi Motors North America, Inc.

The information contained in this bulletin is subject to change. For the latest version of this document, go to the Mitsubishi Dealer Link, MEDIC, or the Mitsubishi Service Information website (www.mitsubishitechinfo.com).