



Special Tools Bulletin

TITLE:

Newsletter 102: Mandatory Tools

NO: 235	ISSUE DATE: 2019-07-24	CAR MARKET: United States and Canada	Page 1 of 1
	STATUS DATE: 2019-11-26		

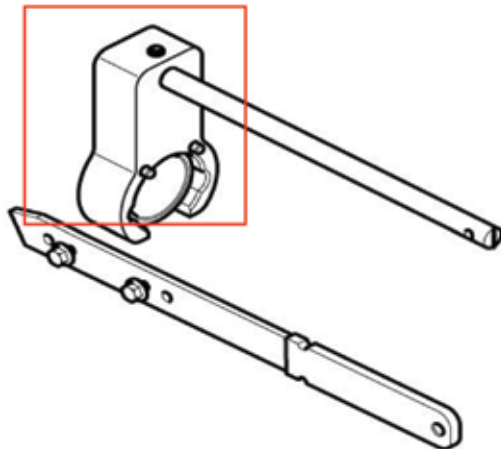
“Right first time in Time”

All tools have been classified as required, and will be allocated and billed to all U.S. and Canadian retailers by Volvo.

All tool allocations and tool orders are being handled by the Volvo Parts Operations and the Volvo Parts Distribution Centers.

Overview of content:

<u>Part Number</u>	<u>Description</u>	
9989920	Fixture	C1



Fixture – 9989920

Position setting. Tools for mounting shock absorbers (existing tool does not fit) S60 / V60 CCD. Update of 9997621 to B edition with 9989920.

Tool standard	C1
Tool group	76
Tool bulletin	424
Model	B4204T22, B4204T25, B4204T28
Tool board	76
Weight	0,9 kg / 2 lbs
Material	Aluminium and Steel
Country of origin	Sweden, SE
Supplier	Agrohid

Service Personnel: Read and initial	SERVICE MANAGER	PARTS MANAGER	WORKSHOP FOREMAN	SERVICE TECHNICIANS									