

Hendrickson Lift Axle Hardware, Retorque
VN, VHD

SP 656-001, Hendrickson Lift Axle Hardware, Retorque

(December 2019)

For certain Volvo VN and VHD trucks built between 01/01/2017 and 10/02/2019, the lift arm fasteners of Hendrickson lift axle may have not been properly tightened. A new improved torque procedure has been introduced to maintain and distribute torque properly on the hardware attaching the Hendrickson Lift Axle to the brackets. Follow the repair instructions outlined in this document for retorquing the indicated fasteners.

Hendrickson Lift Axle Hardware retorque procedure:

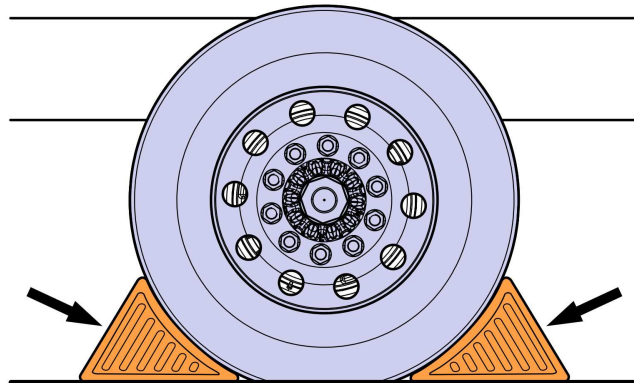
You must read and understand the precautions and guidelines in Service Information, group 70, "General Safety Practices, Frame, Springs, Shocks and Springs" before performing this procedure. If you are not properly trained and certified in this procedure, ask your supervisor for training before you perform it.



DANGER

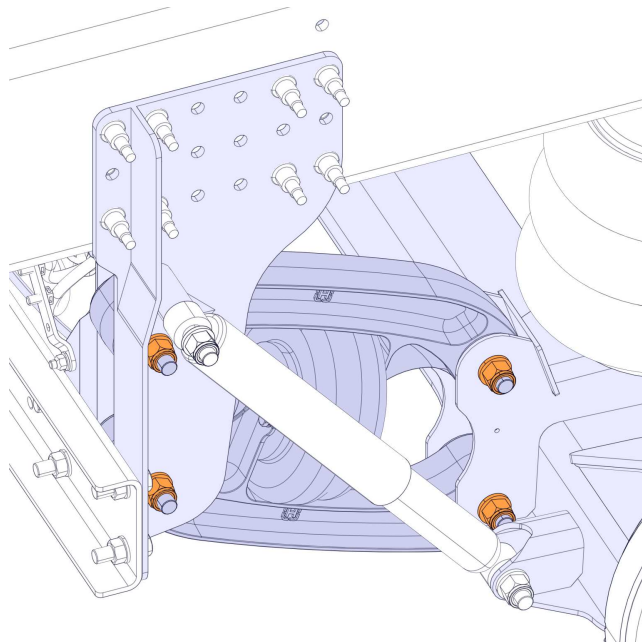
Do not attempt to repair or service this vehicle without having sufficient training, the correct service literature and the proper tools. Failure to follow this could make the vehicle unsafe and lead to serious personal injury or death.

- 1 Park the vehicle on a level surface.
- 2 Apply the parking brake.
- 3 Place the transmission in neutral or park.
- 4 Install the wheel chocks.



W7086748

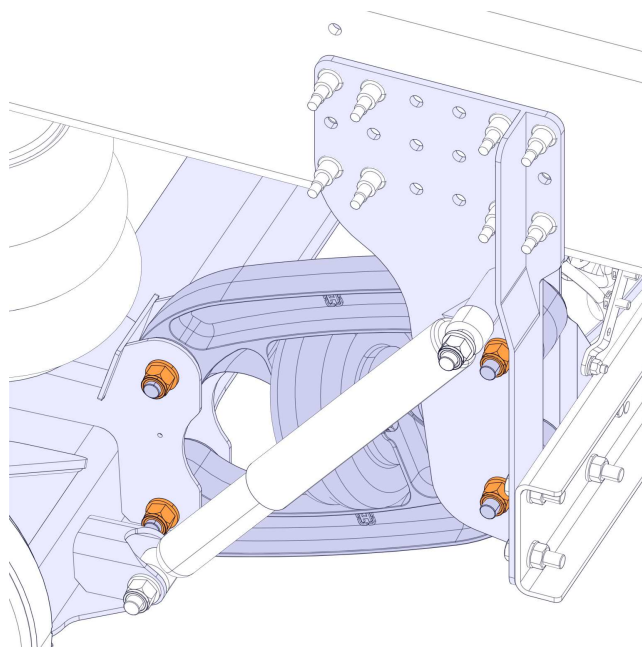
5 Torque tighten the fasteners.



T6153407

Tightening torque	
Lifting arm, fasteners	407 Nm (300 ft. lbs)

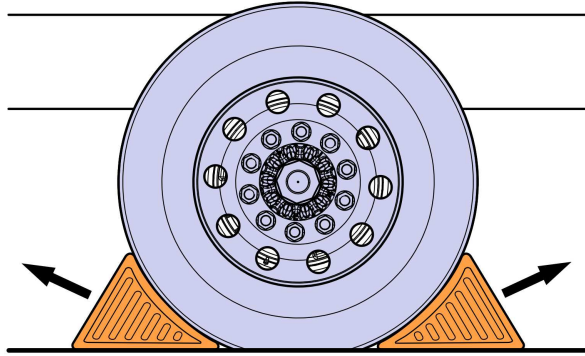
6 Torque tighten the fasteners.



T6153406

Tightening torque	
Lifting arm, fasteners	407 Nm (300 ft. lbs)

7 Remove the wheel chocks.



W7086759

Reimbursement

This repair is covered by an authorized Service Program. Reimbursement is obtained via the normal claim handling process.	UCHP Reimbursement
Labor Code	
Primary Labor Code – Hendrickson Lift Axle Hardware, Retorque	6569-16-09-01 0.4 hrs.
Causal Part	HDRR6012CH2NC
SCC Code	S7433
Expiration Date	11-30-2020