



RYKER Exhaust Too Close OR Touching The Frame - 137241

Summary:

Possible contact between the exhaust pipe and frame. Here are some ways to increase the distance between the exhaust pipe and the frame.

Type:

General

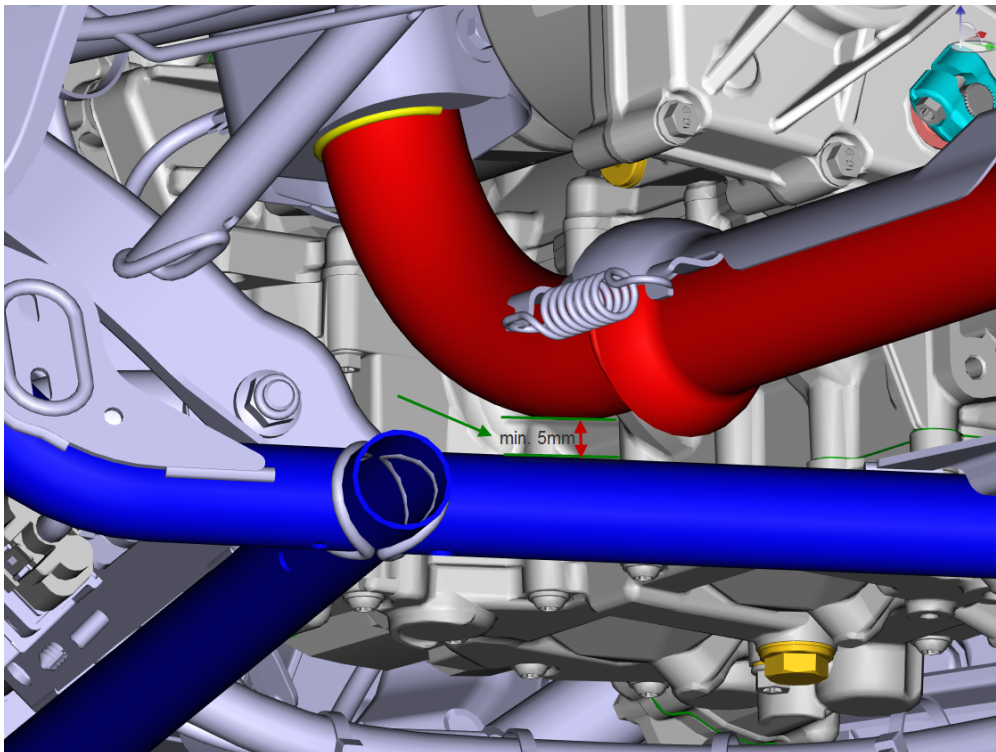
TST Detail:

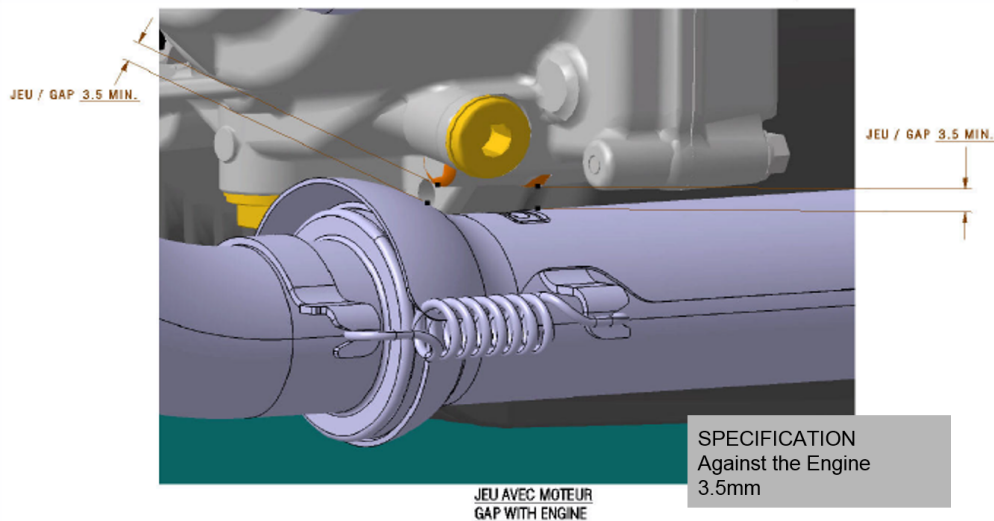
Problem:

The minimal distance between the exhaust pipe and the frame should be 5mm.

Symptoms;

- Excessive engine vibration felt
- Exhaust manifold bolts loose
- Engine rattle noise



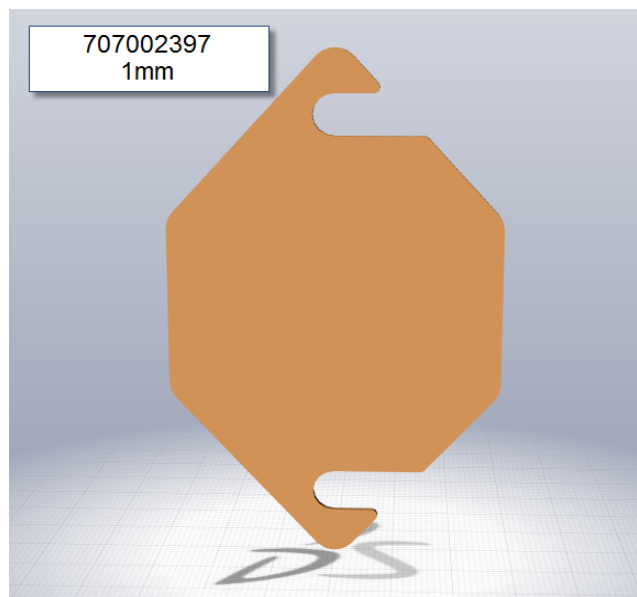


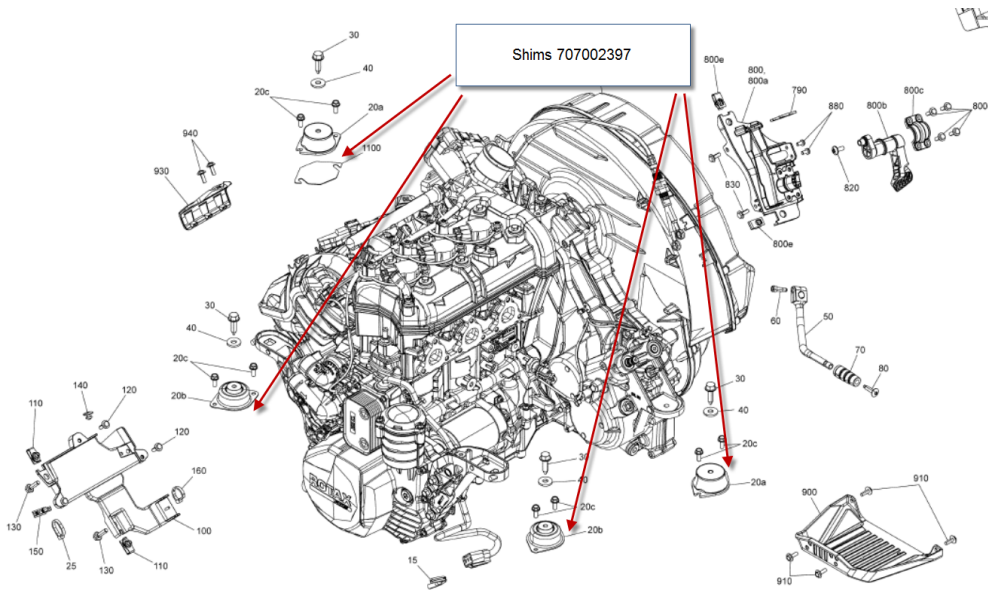
Note the Exhaust too close will reveal marks on the frame and exhaust pipe. If no marks, the problem is possibly somewhere else.

Solution:

Step 1:

Adding 2 shims (707002397) under each 4 engine supports. ***Note that don't install more than 2 shims under each support because of possible contacts on other parts above the engine.**



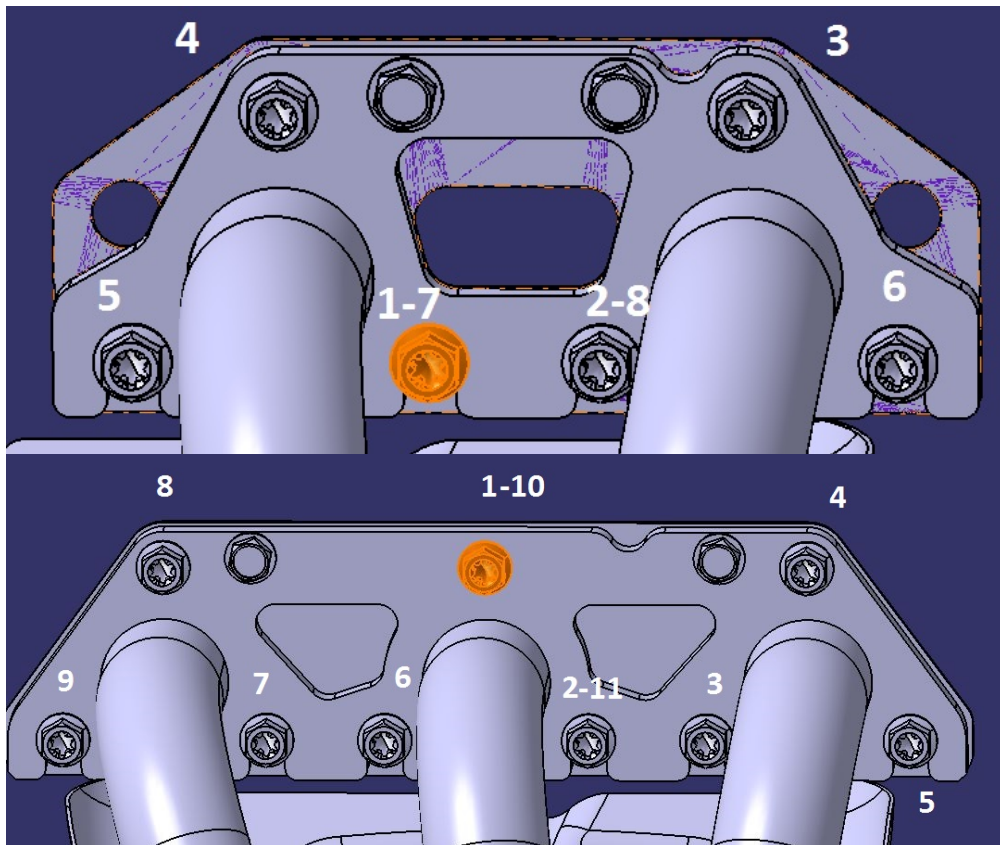


08Y1910

Step 2:

Note that step 2 must be performed only if the 5mm gap is not reached. Loosen off the exhaust manifold bolts from the cylinder head, step to move the manifold up and down. Lift the manifold as high as you can and screw it back on.

1. Pre-torque the bolt 8 @ 12 Nm
2. final torque 21 @ 25 Nm



Inspection Procedure:

After the modification are done, inspect the gap between the exhaust pipe and frame. If the gap is still too close, open a technical case for further directions.

Warranty:

Normal warranty applies

Attachment:

First Published By: Olivier Fiset-Dubois **on** 2019-12-02

Last Modified By: Eric Fauteux **on** 2020-02-03