

LTB01208NAS4



# TECHNICAL BULLETIN

02 JAN 2020

© Jaguar Land Rover North America, LLC

NOTE: The information in Technical Bulletins is intended for use by trained, professional Technicians with the knowledge, tools, and equipment required to do the job properly and safely. It informs these Technicians of conditions that may occur on some vehicles, or provides information that could assist in proper vehicle service. The procedures should not be performed by 'do-it-yourselfers'. If you are not a Retailer, do not assume that a condition described affects your vehicle. Contact an authorized Land Rover service facility to determine whether this bulletin applies to a specific vehicle.

## INFORMATION

---

**This reissue replaces all previous versions. Please destroy all previous versions.**

This bulletin supersedes TSB LTB01208NAS3/2019 dated 10 JAN 2019, which should either be destroyed or clearly marked to show it is no longer valid (e.g. with a line across the page). Only refer to the electronic version of this Technical Bulletin in TOPIx.

---

## SECTION:

501-14

## SUBJECT/CONCERN:

Hood Release Inoperative

## AFFECTED VEHICLE RANGE:

MODEL:	MODEL YEAR:	VIN:
Discovery (LR)	2017-2018	000004-077150

---

**MARKETS:**NORTH AMERICA

---

**CONDITION SUMMARY:****SITUATION:**

The hood release lever is not releasing the hood.

**CAUSE:**

Incorrect length of hood release cable.

**ACTION:**Follow the instructions below.

---

**PARTS:**

PART NUMBER	DESCRIPTION	QUANTITY
LR121817	Hood release cable	1

---

**WARRANTY:****NOTES:**

- Repair procedures are under constant review, and therefore times are subject to change; those quoted here must be taken as guidance only. Use TOPIx to obtain the latest repair time.
- The JLR claims submission system requires the use of causal part numbers. Labor only claims must show the causal part number with a quantity of zero.

DESCRIPTION	SRO	TIME (HOURS)	CONDITION CODE	CAUSAL PART
Hood release cable - Renew	76.16.89.01	0.5	42	LR083194

**NOTE:**

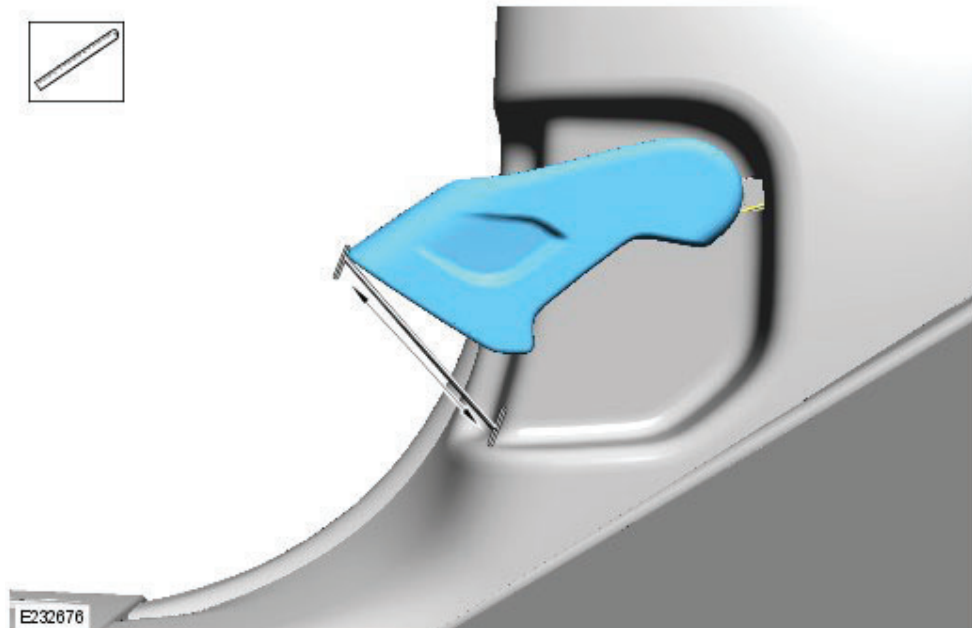
Normal Warranty procedures apply.

## SERVICE INSTRUCTION:

**NOTES:**

- Some variation in the illustrations may occur, but the essential information is always correct.
- Some components are shown removed for clarity.

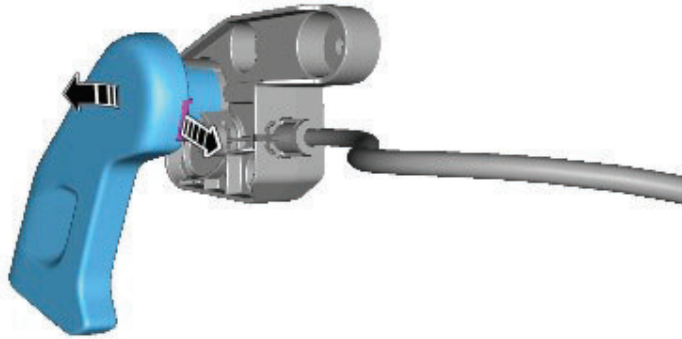
1.



Open the hood and use a steel rule or similar engineer's scale to record the distance the interior release lever travels to operate the hood latches.

- ■ If the hood interior release lever does operate the hood latches, the hood can be opened, and the distance is less than 120mm, release the vehicle.
    - ■ No further action required.
  - ■ If the hood interior release lever does operate the hood latches, the hood can be opened, and the distance is more than 120mm, **go to Step 5.**
  - ■ If the hood interior release lever does not operate the hood latches and the hood cannot be opened, **go to Step 2.**
-

2.

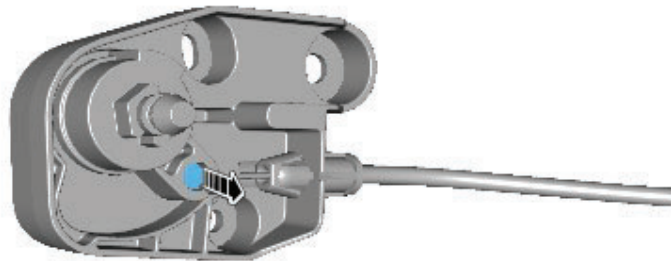


E230839

Remove hood interior release lever from the hood release mechanism.

---

3.



E230840

Release the hood release cable from the hood release mechanism.

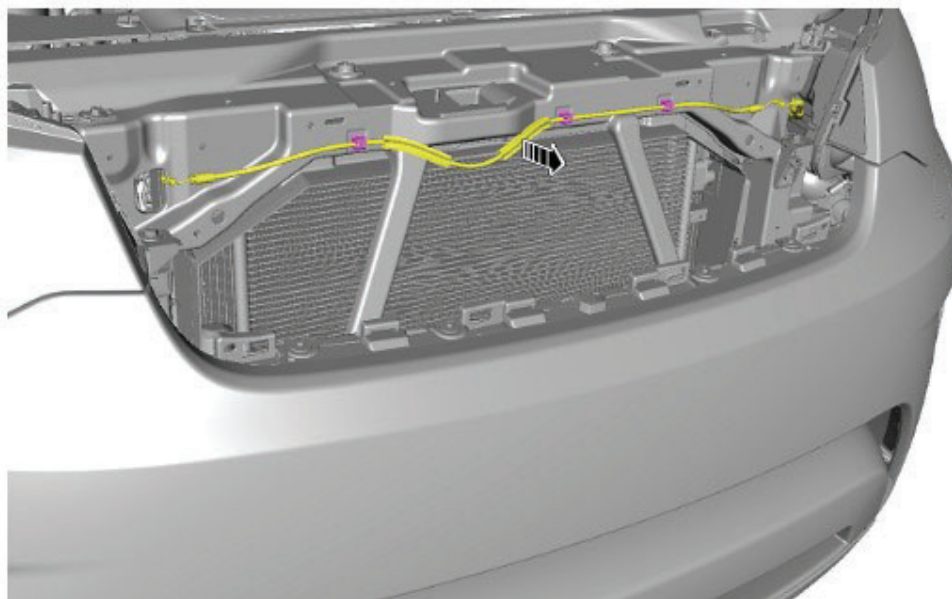
---

4. Use a suitable tool to operate the hood release cable to open the hood latches.

---

5. Remove the hood left and right latches (see TOPIx Workshop Manual section 501-14: Handles, Locks, Latches and Entry Systems - Removal and Installation - Hood Latch).

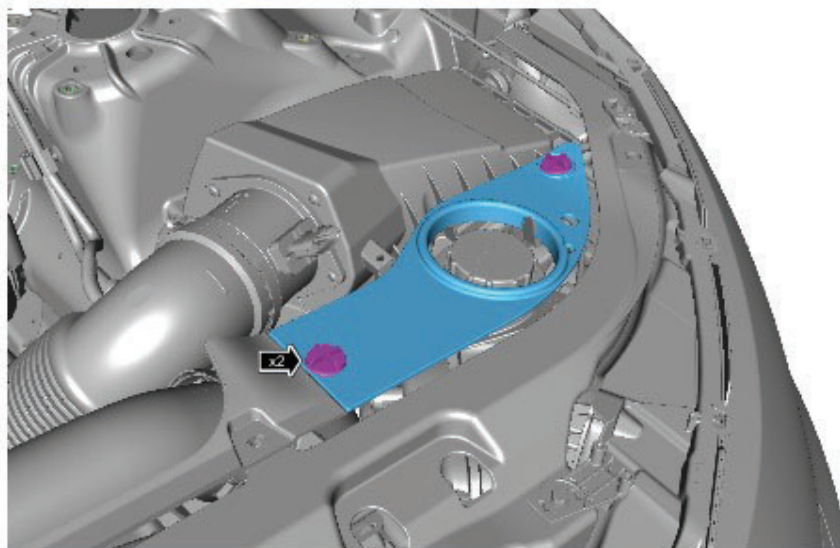
6.



E230166

Release the hood release cable.

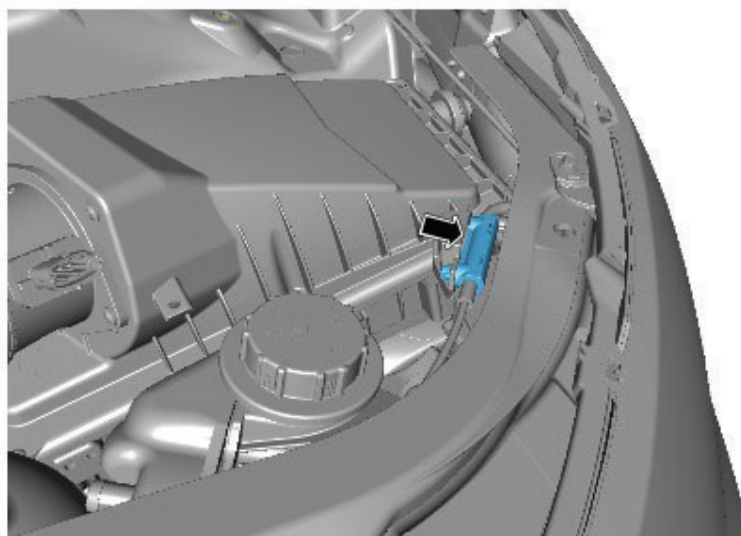
7.



E230169

Remove the trim.

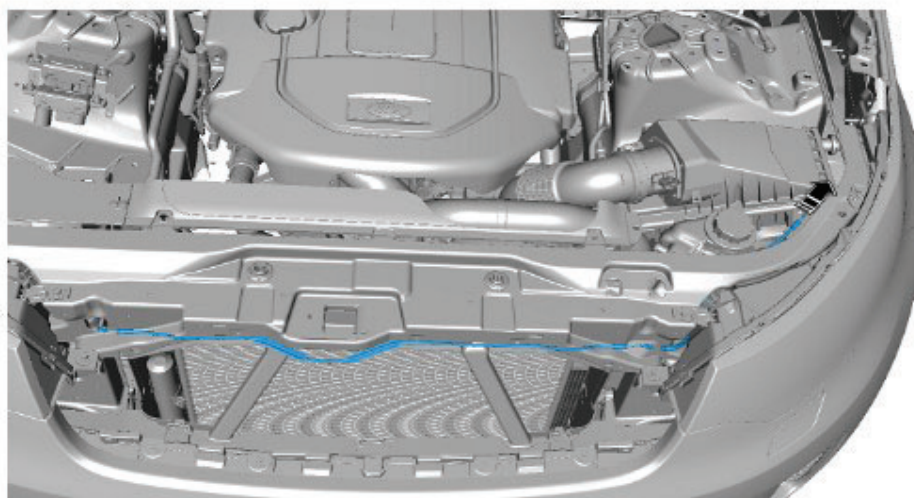
8.



E230167

Release the hood release cable from the retainer.

9.



E230168

Remove the hood release cable from the vehicle.

10. To install the new hood release cable, reverse steps 1 to 9.