



LIPPERT
COMPONENTS

8000 SERIES WINDOWS SCREEN INSTALLATION

TI-350

WINDOWS

Purpose

This document outlines the procedure for replacing/installing an 8000 series screen installation.

NOTE: Images used in this document are for reference only when assembling, installing and/or operating this product. Actual appearance of provided and/or purchased parts and assemblies may differ.

Safety

Read and understand all instructions before installing or operating this product. Adhere to all safety labels.



The "CAUTION" symbol above is a sign that a safety risk is involved and may cause personal injury and/or product or property damage if not safely adhered to and within the parameters set forth in this manual.



Moving parts can pinch, crush or cut. Keep clear and use caution.

Procedure

1. Slide the window (Fig. 1A) open a minimum of 6" to install the screen.
2. Locate the screen springs attached to the screen frame (Fig. 1B).
3. Align the screen springs into the screen frame channel (Fig. 2A) above the bottom curve of the window frame.
4. Simultaneously push the springs into the screen channel while pushing the opposite side of the screen frame into the channel (Fig. 1C). The screen will make a snap sound when it is inserted.
5. To ensure proper installation, check that both the window and screen slide correctly in the window frame (Fig. 3).

Fig. 1

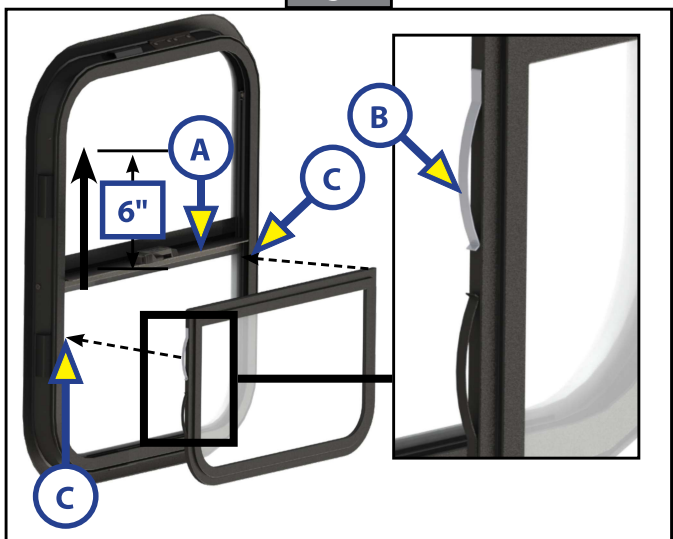


Fig. 2

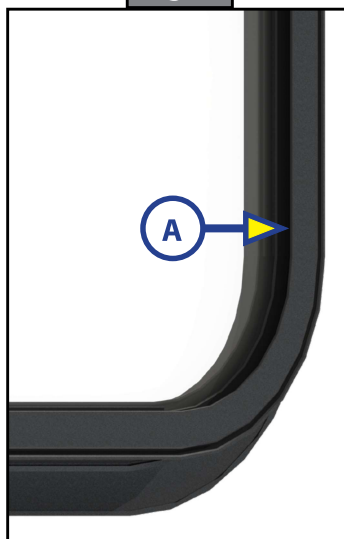
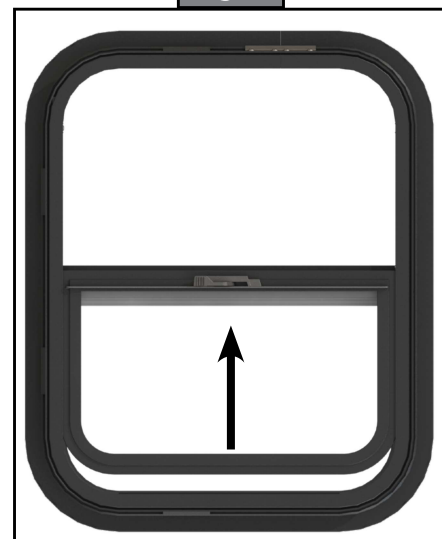


Fig. 3



As a supplier of components to the RV industry, safety, education and customer satisfaction are our primary concerns. Should you have any questions, please do not hesitate to contact us at (574) 537-8900 or by email at customerservice@lci1.com. Self-help tips, technical documents, product videos and a training class schedule are available at lci1.com or by downloading the MyLCI app.