



# RECALL CAMPAIGN BULLETIN

Classification: EM20-001	Reference: NTB20-027	Date: March 31, 2020
-----------------------------	-------------------------	-------------------------

## VOLUNTARY EMISSIONS RECALL CAMPAIGN 2018 ALTIMA AND ROGUE; EXHAUST MANIFOLD AND THREE WAY CATALYST ASSEMBLY

**CAMPAIGN ID #:** PC717  
**APPLIED VEHICLES:** 2018 Altima (L33)  
2018 Rogue (T32)  
**APPLIED ENGINE:** QR25DE (4-cyl engine)

**Check Service COMM or Dealer Business Systems (DBS)  
National Service History to confirm campaign eligibility.**

### INTRODUCTION

Nissan is conducting this voluntary emissions recall campaign on certain specific model year 2018 Altima and Rogue vehicles. The exhaust manifold and three way catalyst assembly and two exhaust sensors will be replaced. This service will be performed at no charge to the customer for parts or labor.

### IDENTIFICATION NUMBER

Nissan has assigned identification number PC717 to this campaign. This number must appear on all communication and documentation of any nature dealing with this campaign.

### DEALER RESPONSIBILITY

It is the dealer's responsibility to check Service COMM or Dealer Business Systems (DBS) National Service History for the campaign status on each vehicle falling within the range of this voluntary emissions recall which for any reason enters the service department. This includes vehicles purchased from private parties or presented by transient (tourist) owners and vehicles in a dealer's inventory. **Federal law requires that new vehicles in dealer inventory which are the subject of an emissions recall must be corrected prior to sale. Failure to do so can result in civil penalties.** While federal law applies only to new vehicles, Nissan strongly encourages dealers to correct any used vehicles in their inventory before they are retailed.

Nissan Bulletins are intended for use by qualified technicians, not 'do-it-yourselfers'. Qualified technicians are properly trained individuals who have the equipment, tools, safety instruction, and know-how to do a job properly and safely. **NOTE:** If you believe that a described condition may apply to a particular vehicle, DO NOT assume that it does. See your Nissan dealer to determine if this applies to your vehicle.



## SERVICE PROCEDURE

**IMPORTANT:** Follow all cautions, warnings, and notes in the Electronic Service Manual (ESM) when working on or around the engine.

1. Replace the following:

- Exhaust manifold and three-way catalyst assembly
  - Air fuel ratio (A/F) sensor 1
  - Heated (rear) oxygen sensor 2
- Altima: For exhaust manifold and three-way catalyst replacement, go to the ESM, section **ENGINE - ENGINE MECHANICAL - QR25DE - REMOVAL AND INSTALLATION - EXHAUST MANIFOLD AND THREE WAY CATALYST.**
- Rogue: For exhaust manifold and three-way catalyst replacement, go to the ESM, section **ENGINE - ENGINE MECHANICAL - REMOVAL AND INSTALLATION - EXHAUST MANIFOLD AND THREE WAY CATALYST.**

# Altima - Exhaust Manifold and Three Way Catalyst

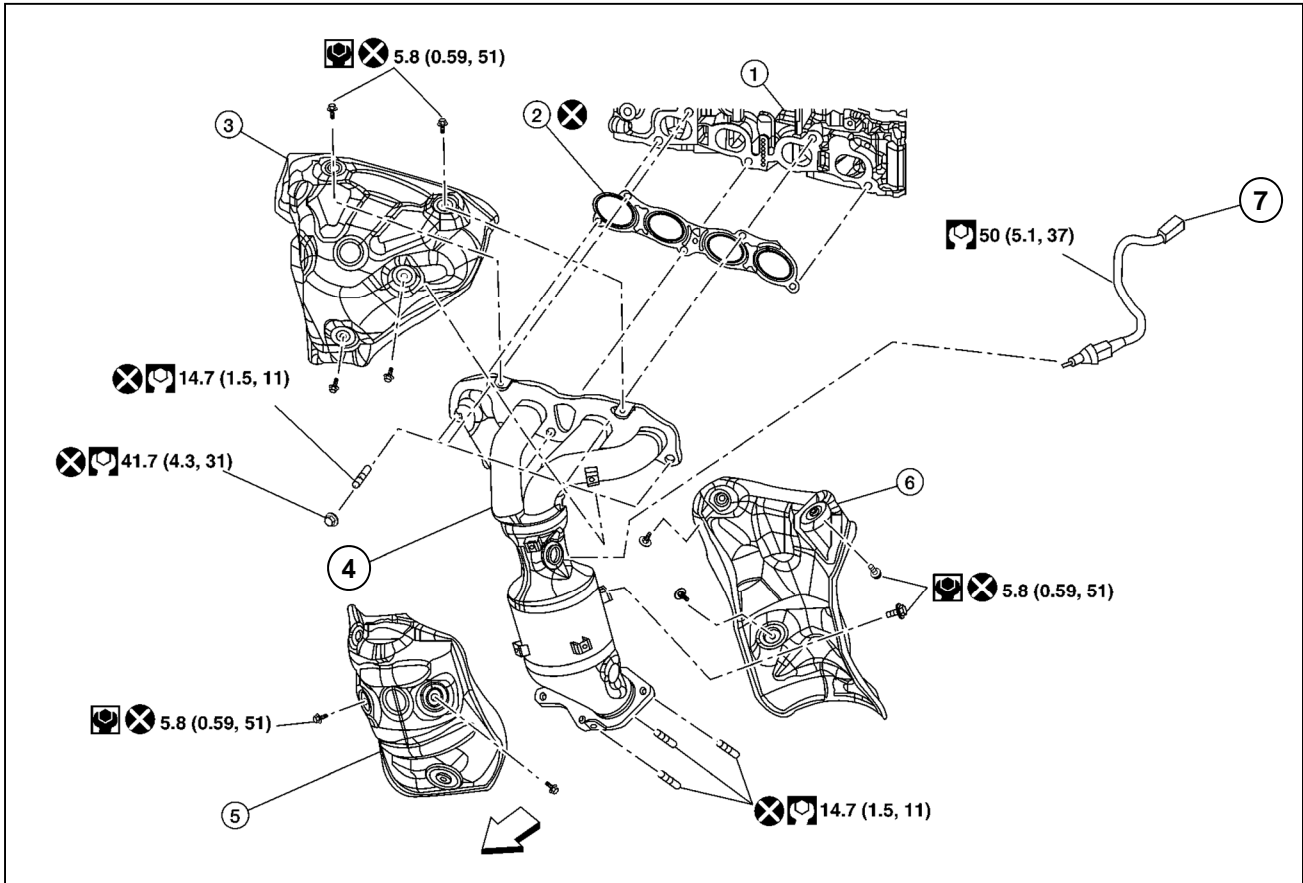


Figure 3

1. Cylinder head	2. Exhaust manifold gasket	3. Exhaust manifold cover (upper)
4. Exhaust manifold and three way catalyst assembly	5. Exhaust manifold cover (lower front)	6. Exhaust manifold cover (lower rear)
7. Air fuel ratio (A/F) sensor 1		

# Altima - Exhaust System

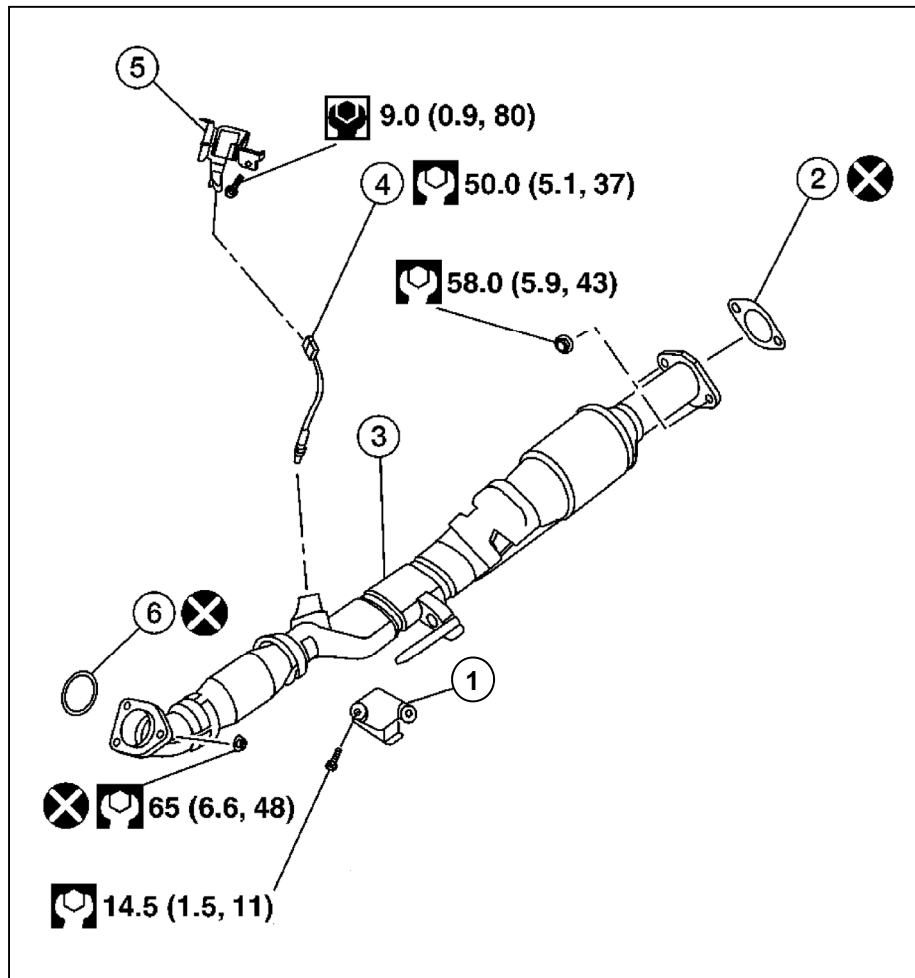


Figure 4

1. Front exhaust tube hanger	2. Gasket	3. Front exhaust tube
4. Oxygen sensor	5. Oxygen sensor bracket	6. Ring gasket

# Rogue - Exhaust Manifold and Three Way Catalyst

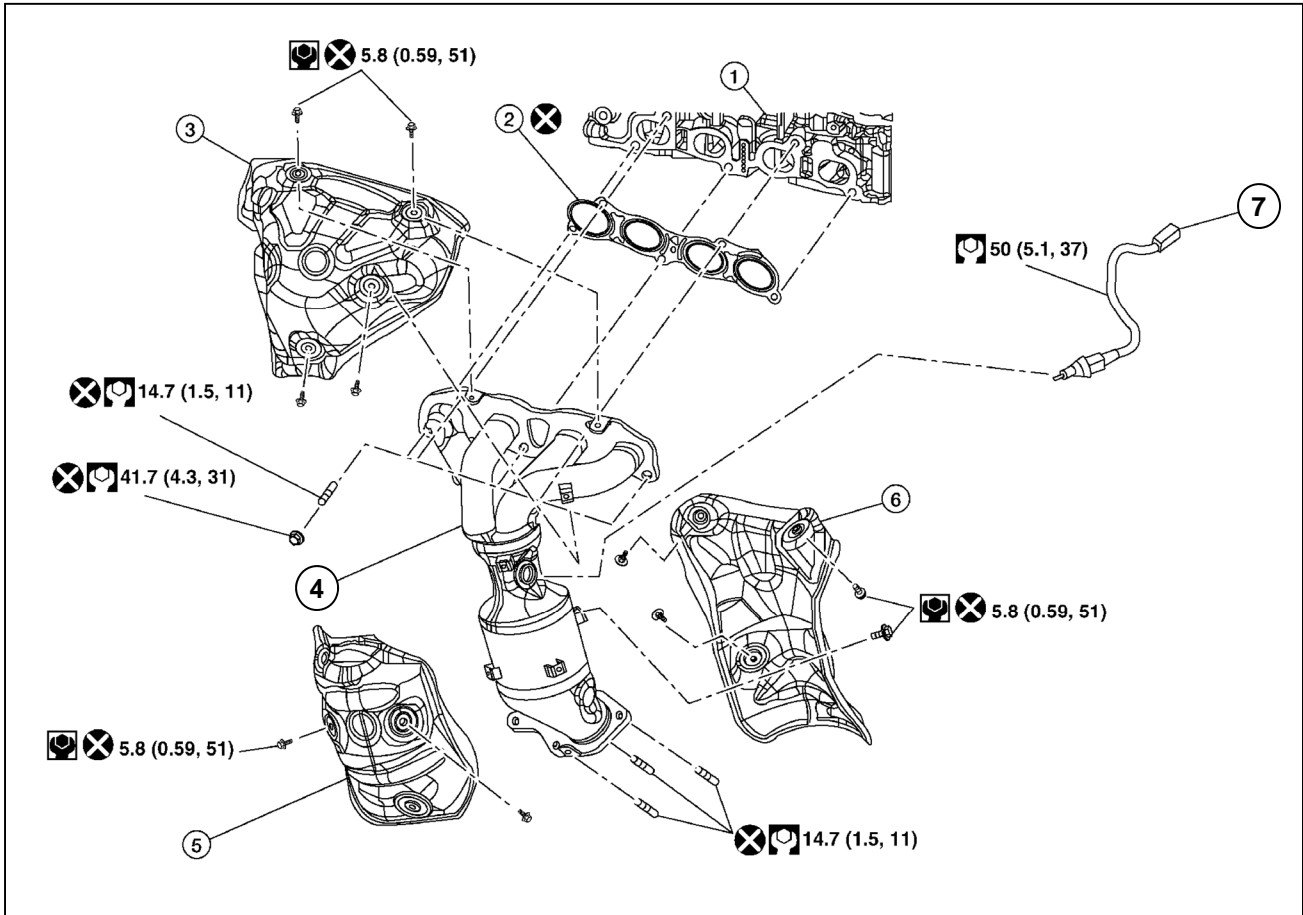


Figure 5

1. Cylinder head	2. Exhaust manifold gasket	3. Exhaust manifold cover (upper)
4. Exhaust manifold and three way catalyst assembly	5. Exhaust manifold cover (lower front)	6. Exhaust manifold cover (lower rear)
7. Air fuel ratio (A/F) sensor 1		

# Rogue - Exhaust System

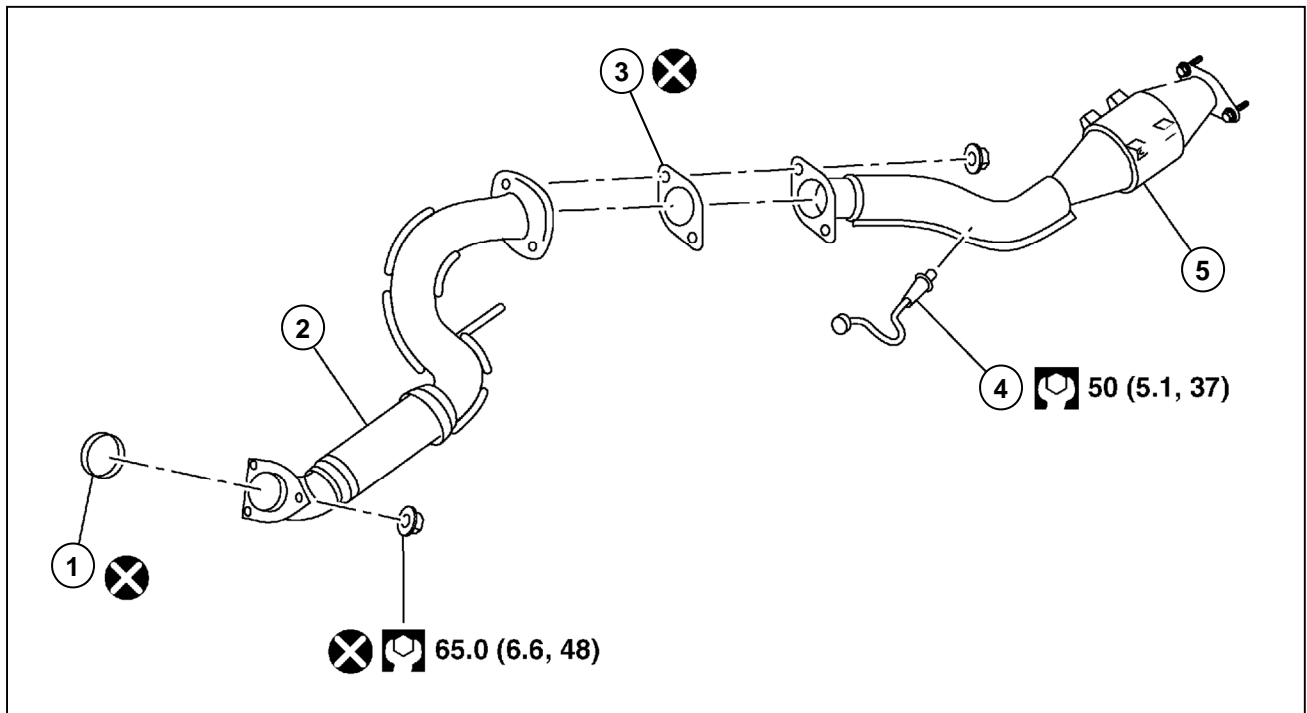


Figure 6

1. Ring gasket	2. Front exhaust tube	3. Exhaust gasket
4. Heated oxygen sensor rear	5. Center exhaust tube	

## PARTS INFORMATION

### Altima

DESCRIPTION	PART NUMBER	QUANTITY
MANIFOLD ASSY - EXHAUST W / CATALYST (California emissions equipped vehicles)	140E2-9HS0A	1
MANIFOLD ASSY - EXHAUST W / CATALYST (non-California emissions equipped vehicles)	140E2-3TA0A	1
STUD	14064-ZX60A	5
NUT	14094-9BA0A	5
GASKET - EXHAUST MANIFOLD	14036-3TA0B	1
STUD	14064-JG30B	3
NUT	01223-N0021	3
BOLT	14069-JD70A	11
GASKET - EXHAUST	20691-19U0A	1
GASKET - EXHAUST	20692-24U0A	1
AIR FUEL RATIO SENSOR	22693-3TY0B	1
HEATED OXYGEN SENSOR	226A0-3TA0B	1

### Rogue

DESCRIPTION	PART NUMBER	QUANTITY
MANIFOLD ASSY - EXHAUST W / CATALYST (1)	140E2-6FJ0A	1
STUD	14064-ZX60A	5
NUT	14094-9BA0A	5
GASKET - EXHAUST MANIFOLD	14036-3TA0B	1
STUD	14064-JG30B	3
NUT	01223-N0021	3
BOLT	14069-JD70A	11
GASKET - EXHAUST	20691-19U0A	1
GASKET - EXHAUST	20692-8H30A	1
AIR FUEL RATIO SENSOR (2)	22693-5RB0A	1
HEATED OXYGEN SENSOR	226A0-9BF0B	1

(1) For vehicles built from 09/2016 to 08/2018.

(2) For vehicles built 09/2017 and later.



## CLAIMS INFORMATION

Submit a "CM" line claim using the following claims coding:

VEHICLE	CAMPAIGN ("CM") ID	DESCRIPTION	OP CODE	FRT
Altima	PC717	Replace Exhaust Manifold And Three Way Catalyst, A/F Sensor 1, And Rear Oxygen Sensor	PC7170	1.4
Rogue			PC7171	1.2

## AMENDMENT HISTORY

PUBLISHED DATE	REFERENCE	DESCRIPTION
March 31, 2020	NTB20-027	Original bulletin published